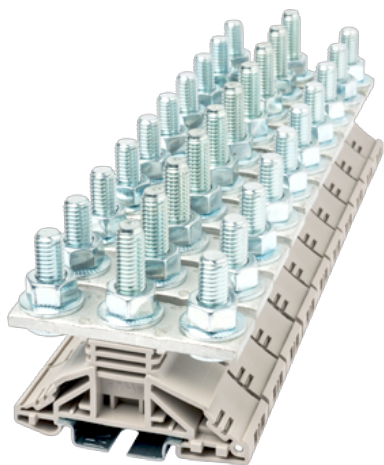


# DKM8-2

DIN Rail Terminal Blocks > Stud Connection

Date:2022-04-28Version:1.2



The web catalog is for reference only. Dinkle remains the right of product modification and engineering change of the design. The final product is made according to engineering drawing.

## Product Description

M8, 1000V, 150A, Beige (default)

## General information

Short description	DIN Rail terminal blocks, Stud Connection
Category	Feed-Through single level
Color	Beige (default)
Connection method	Stud Connection
Type of locking	Rail Mounting
Length (mm)	21
Width (mm)	68
Height (mm)	63
Level	Single level
Connection points	2

## Material information

Insulation material	PA
Insulation material group	I
Flame retardant rating , compliant with UL94	V0
Insulation resistance	□500MΩ at DC 500V

## Connection data-IEC

Rated voltage (V)	1000
Rated current (A)	150
Rated voltage (III/3)(V)	1000
Rated impulse voltage (III/3)(KV)	8
Conductor cross section solid. min (mm <sup>2</sup> )	2.5
Conductor cross section solid.max (mm <sup>2</sup> )	50
Conductor cross section stranded. min (mm <sup>2</sup> )	6
Conductor cross section stranded. max (mm <sup>2</sup> )	35
Screw thread	M8
Rated torque (N.m)	6~12
Recommend tightening torque. min (N.m)	6
Recommend tightening torque. max (N.m)	12
Mounting rail	TS-35
End cover plate required	NO
Grounding connections	NO

## Connection data-UL

Rated voltage (UL/CUL Group E)(V)	1000
Rated current (UL/CUL Group E)(A)	150
Min. solid wire connection (AWG) acc. to UL/CUL	14
Max. solid wire connection AWG acc. to UL/CUL	1/0

## Environment & Safety

Back of the hand protection (YES or NO)	NO
Finger protection (YES or NO)	NO
Operating temperature. max (°C)	120
Operating temperature. min (°C)	-40

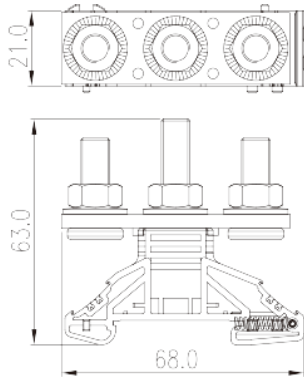
## UL Recognized

Wire Range (Group E)(AWG)	14~1/0
Rated voltage (Group E)(V)	1000
Rated current (Group E)(A)	150

## CUL Recognized

Wire Range (Group E)(AWG)	14~1/0
Rated voltage (Group E)(V)	1000
Rated current (Group E)(A)	150

## Drawings



## Approvals

