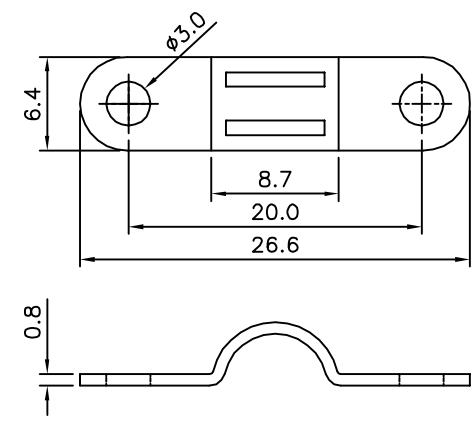
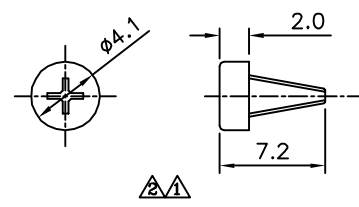
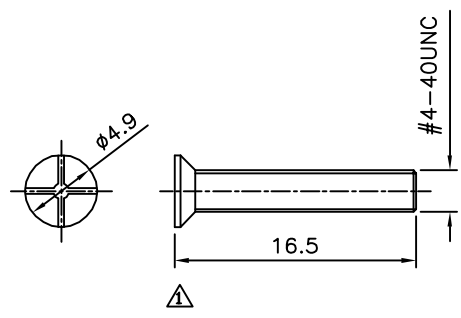
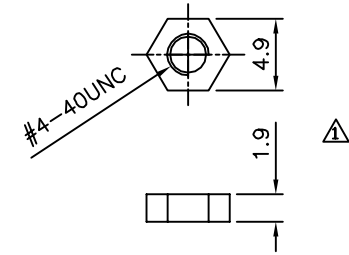


**△△ SPECIFICATION**  
 Insulator:ABS(UL94-HB)  
 Screw & Nut & SR:Steel,Nickel Plated  
 RoHS Compliant

**△△ DKH 25 X - X - H**  
 (1) (2) (3) (4) (5)  
 (1) DKH:D-SUB Hood Special Type  
 (2) 25:No. Of Position  
 (3) X:Hood Color  
 Blank:Black  
 C:Chromate Plated  
 (4) X:Packing Option  
 Blank:Bulk Package  
 1:One Set/Bag  
 (5) H:RoHS Compliant



**AUK** A MEMBER OF AUK GROUP  
**太聯事業股份有限公司**  
**AUK CONTRACTORS CO., LTD.**

CATEGORY		APPROVED BY		UNLESS OTHERWISE SPECIFIED TOLERANCES ARE X. ±0.5 .X ±0.3 .XX ±0.2 ANG. ±5°
PART No. △△ DKH25X-X-H		EMILY		
DRAWING No. DKH25X-X-H		CHECKED BY HZF		
SCALE NONE		DRAWING BY CYP		
REV.	A2	UNIT mm		

NO.	REV.	REVISIONS	CHK	DATE
△A2		Modify P/N:DKH25X-H → DKH25X-X-H	HZF	05/21/2015
△A1		Modify P/N:DKH25C → DKH25X-H.Add DKH25	HZF	03/10/2011
△A0		NEW RELEASE		