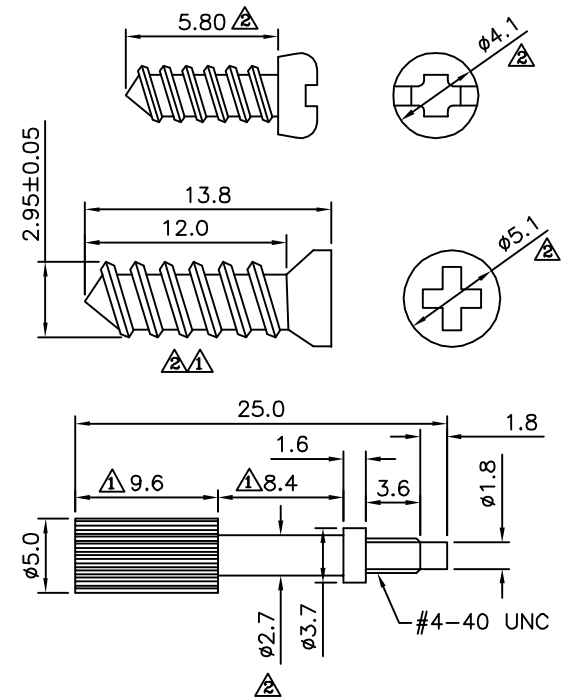
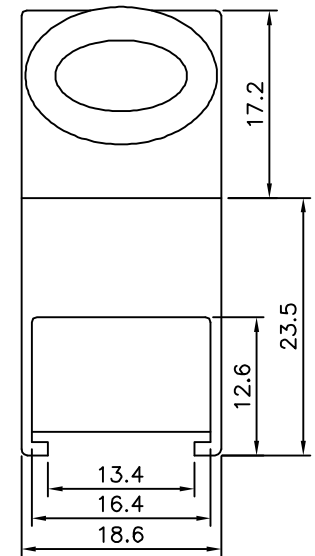
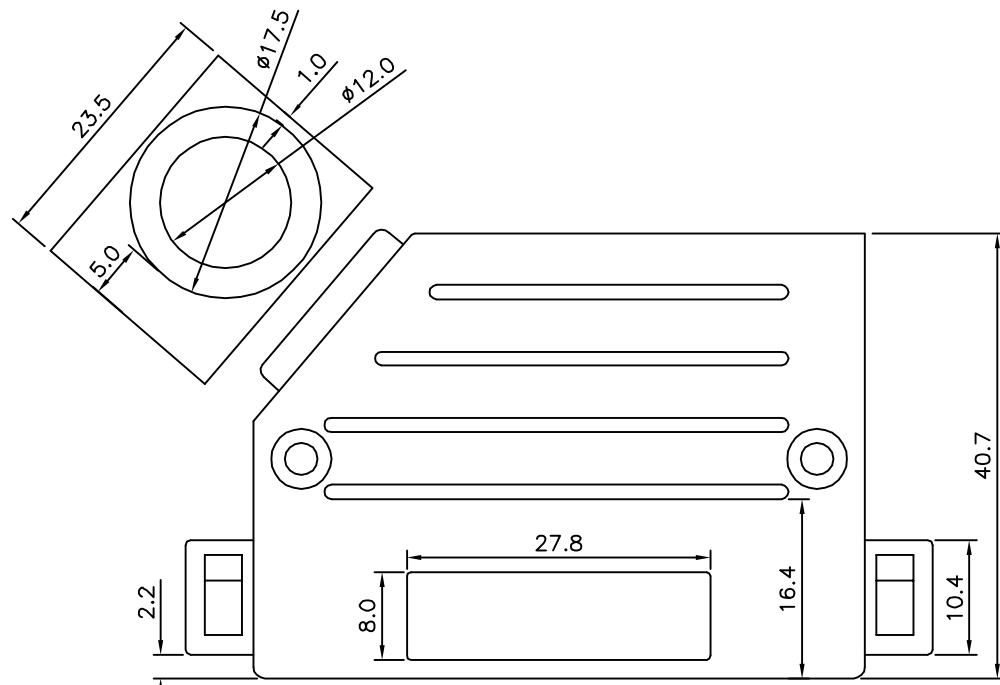


SPECIFICATION

Insulator:ABS(UL94HB)
Screw&SR:Steel,Nickel Plated
Packing:1 Bag/Set
RoHS Compliant

DHR 50 X T - 1 - H
(1) (2) (3) (4) (5) (6)

- (1) DHR:D-SUB Screw-On Hood Cable Outlet 45°
- (2) 50:No. Of Position
- (3) X:D-SUB Hood Insulator Color
K:Black
G:Gray
B:Beige
C:Chromium
- (4) T:With Thumbscrew
- (5) 1:One Bag/Set
- (6) H:RoHS Compliant



AUK A MEMBER OF AUK GROUP
太聯事業股份有限公司
AUK CONTRACTORS CO., LTD.

CATEGORY		APPROVED BY		UNLESS OTHERWISE SPECIFIED TOLERANCES ARE X. ±0.5 .X ±0.3 .XX ±0.2 ANG. ±5°
PART No. DHR50XT-1-H		EMILY		
DRAWING No. DHR50XT-1-H		CHECKED BY HZF		
SCALE NONE		DRAWING BY SONG		
REV.	A2	UNIT mm		

NO.	REV.	REVISIONS	CHK	DATE
A2		Modify Data	HZF	12/26/2013
A1		Modify Data	HZF	12/10/2008
A0		NEW RELEASE	HZF	02/07/2008