

CFast 3IE

Customer: _____
Customer
Part
Number: _____
Innodisk
Part
Number: _____
Innodisk
Model Name: _____
Date: _____

Innodisk Approver	Customer Approver

**Total Solution For
Industrial Flash Storage**

Table of contents

- REVISION HISTORY.....4**
- LIST OF TABLES5**
- LIST OF FIGURES6**
- 1. PRODUCT OVERVIEW7**
 - 1.1 INTRODUCTION OF INNODISK CFAST 3IE7**
 - 1.2 PRODUCT VIEW AND MODELS7**
 - 1.3 SATA INTERFACE.....7**
 - 1.4 CFAST 2.0 FORM FACTOR8**
- 2. PRODUCT SPECIFICATIONS9**
 - 2.1 CAPACITY AND DEVICE PARAMETERS.....9**
 - 2.2 PERFORMANCE9**
 - 2.3 ELECTRICAL SPECIFICATIONS9**
 - 2.3.1 Power Requirement9**
 - 2.3.2 Power Consumption9**
 - 2.4 ENVIRONMENTAL SPECIFICATIONS10**
 - 2.4.1 Temperature Ranges10**
 - 2.4.2 Humidity10**
 - 2.4.3 Shock and Vibration10**
 - 2.4.4 Mean Time between Failures (MTBF)10**
 - 2.5 CE AND FCC COMPATIBILITY10**
 - 2.6 RoHS COMPLIANCE10**
 - 2.7 RELIABILITY11**
 - 2.8 TRANSFER MODE11**
 - 2.9 PIN ASSIGNMENT12**
 - 2.10 MECHANICAL DIMENSIONS.....13**
 - 2.11 ASSEMBLY WEIGHT13**
 - 2.12 SEEK TIME13**
 - 2.13 HOT PLUG.....13**
 - 2.14 NAND FLASH MEMORY.....13**
- 3. THEORY OF OPERATION14**
 - 3.1 OVERVIEW.....14**
 - 3.2 SATA III CONTROLLER14**
 - 3.3 ERROR DETECTION AND CORRECTION.....14**
 - 3.4 WEAR-LEVELING15**
 - 3.5 BAD BLOCKS MANAGEMENT15**
 - 3.6 POWER CYCLING15**

- 3.7 GARBAGE COLLECTION..... 15**
- 4. INSTALLATION REQUIREMENTS16**
 - 4.1 CFAST 3IE PIN DIRECTIONS..... 16**
 - 4.2 ELECTRICAL CONNECTIONS FOR CFAST 3IE 16**
 - 4.3 WRITE PROTECTION 16**
 - 4.4 DEVICE DRIVE 17**
- 5. PART NUMBER RULE18**
- 6. APPENDIX.....19**

REVISION HISTORY

Revision	Description	Date
Preliminary	First Released	July, 2013
1.0	Official release	November, 2013
1.1	Modify decode	March, 2014
1.2	Modify Mechanical Drawing	July, 2014
1.3	Modify Part Number Rule	Oct, 2014
1.4	Remove Flash endurance SPEC.	JAN, 2015

List of Tables

TABLE 1: DEVICE PARAMETERS.....9

TABLE 2: PERFORMANCE9

TABLE 3: INNODISK CFAST 3IE POWER REQUIREMENT9

TABLE 4: POWER CONSUMPTION9

TABLE 5: TEMPERATURE RANGE FOR CFAST 3IE.....10

TABLE 6: SHOCK/VIBRATION TESTING FOR CFAST 3IE.....10

TABLE 7: CFAST 3IE MTBF10

TABLE 8: INNODISK CFAST 3IE PIN ASSIGNMENT.....12

List of Figures

FIGURE 1: INNODISK CFAST 3IE	7
FIGURE 2: INNODISK CFAST 3IE BLOCK DIAGRAM	14
FIGURE 3: SIGNAL SEGMENT AND POWER SEGMENT	16

1. Product Overview

1.1 Introduction of Innodisk CFast 3IE

The Innodisk CFast 3IE operates at SATA III 6.0 Gb/s, which offers data transfer rate of read up to 310MB/sec. and of sequential write up to 280MB/s. Compliant with CFast 2.0 standard, it is designed with 7+17 pin connector and is SATA compatible. Due to the idle power saving, it reduces 35% power consumption. CFast 3IE is featured as small form factor, and suitable for most industrial application.

CFast 3IE can work under harsh environment, and complies with ATA protocol. Without additional driver, the disk can be configured as a boot device or data storage device. CFast 3IE support hardware write protect to prevent modification of valuable data on a device. Besides, through Innodisk's enhanced power cycling technology and more capacitors, CFast 3IE prevents data loss caused by sudden power failure. By using Innodisk's iSMART, users can not only monitor the operation status of SSD, but also visualize Wear-Leveling status with graphics.

1.2 Product View and Models

Innodisk CFast 3IE is available in follow capacities within iSLC flash ICs.

- CFast 3IE 08GB
- CFast 3IE 16GB
- CFast 3IE 32GB
- CFast 3IE 64GB



Figure 1: Innodisk CFast 3IE

1.3 SATA Interface

Innodisk CFast 3IE supports SATA III interface, and compliant with SATA I and SATA II. SATA III interface can work with Serial Attached SCSI (SAS) host system, which is used in server computer. Innodisk CFast 3IE is compliant with Serial ATA Gen 1, Gen 2 and Gen 3 specification (Gen 3 supports 1.5Gbps /3.0Gbps/6.0Gbps data rate).

1.4 CFast 2.0 Form Factor

CFast 3IE compliant with CFast 2.0 standard, it is designed with 7+17 pin connector and is SATA compatible. CFast 2.0 leverage the same connector interface as CFast 1.1 and the SATA-3 interface for higher performance. CFast 3IE mechanical dimensions: 42.8mm x 36.4mm x 3.6mm.

2. Product Specifications

2.1 Capacity and Device Parameters

CFast 3IE device parameters are shown in Table 1.

Table 1: Device parameters

Capacity	LBA	Cylinders	Heads	Sectors	User Capacity(MB)
08GB	15649200	15525	16	63	7641
16GB	31277232	16383	16	63	15272
32GB	62533296	16383	16	63	30533
64GB	125045424	16383	16	63	61057

2.2 Performance

Burst Transfer Rate: 6.0Gbps

Table 2: Performance

Capacity	08GB	16GB	32GB	64GB
Sequential Read (max.)	230 MB/sec	310 MB/sec	310 MB/sec	310 MB/sec
Sequential Write (max.)	90 MB/sec	190 MB/sec	280 MB/sec	280 MB/sec

Note: Base on CrystalDiskMark 3.01 with file size 1000MB

2.3 Electrical Specifications

2.3.1 Power Requirement

Table 3: Innodisk CFast 3IE Power Requirement

Item	Symbol	Rating	Unit
Input voltage	V _{IN}	+3.3 DC +- 5%	V

2.3.2 Power Consumption

Table 4: Power Consumption

Mode	Power Consumption (mA)
Read	240 (max.)
Write	320 (max.)
Idle	110 (max.)

2.4 Environmental Specifications

2.4.1 Temperature Ranges

Table 5: Temperature range for CFast 3IE

Temperature	Range
Operating	Standard Grade: 0°C to +70°C
	Industrial Grade: -40°C to +85°C
Storage	-55°C to +95°C

2.4.2 Humidity

Relative Humidity: 10-95%, non-condensing

2.4.3 Shock and Vibration

Table 6: Shock/Vibration Testing for CFast 3IE

Reliability	Test Conditions	Reference Standards
Vibration	7 Hz to 2K Hz, 20G, 3 axes	IEC 68-2-6
Mechanical Shock	Duration: 0.5ms, 1500 G, 3 axes	IEC 68-2-27

2.4.4 Mean Time between Failures (MTBF)

Table 7 summarizes the MTBF prediction results for various CFast 3IE configurations. The analysis was performed using a RAM Commander™ failure rate prediction.

- Failure Rate:** The total number of failures within an item population, divided by the total number of life units expended by that population, during a particular measurement interval under stated condition.
- Mean Time between Failures (MTBF):** A basic measure of reliability for repairable items: The mean number of life units during which all parts of the item perform within their specified limits, during a particular measurement interval under stated conditions.

Table 7: CFast 3IE MTBF

Product	Condition	MTBF (Hours)
Innodisk CFast 3IE	Telcordia SR-332 GB, 25°C	>3,000,000

2.5 CE and FCC Compatibility

CFast 3IE conforms to CE and FCC requirements.

2.6 RoHS Compliance

CFast 3IE is fully compliant with RoHS directive.

2.7 Reliability

Parameter	Value
Read Cycles	Unlimited Read Cycles
Wear-Leveling Algorithm	Support
Bad Blocks Management	Support
Error Correct Code	Support
TBW(Sequential Write)	
08GB	216
16GB	432
32GB	864
64GB	1728

2.8 Transfer Mode

CFast 3IE support following transfer mode:

Serial ATA III 6.0Gbps

Serial ATA II 3.0Gbps

Serial ATA I 1.5Gbps

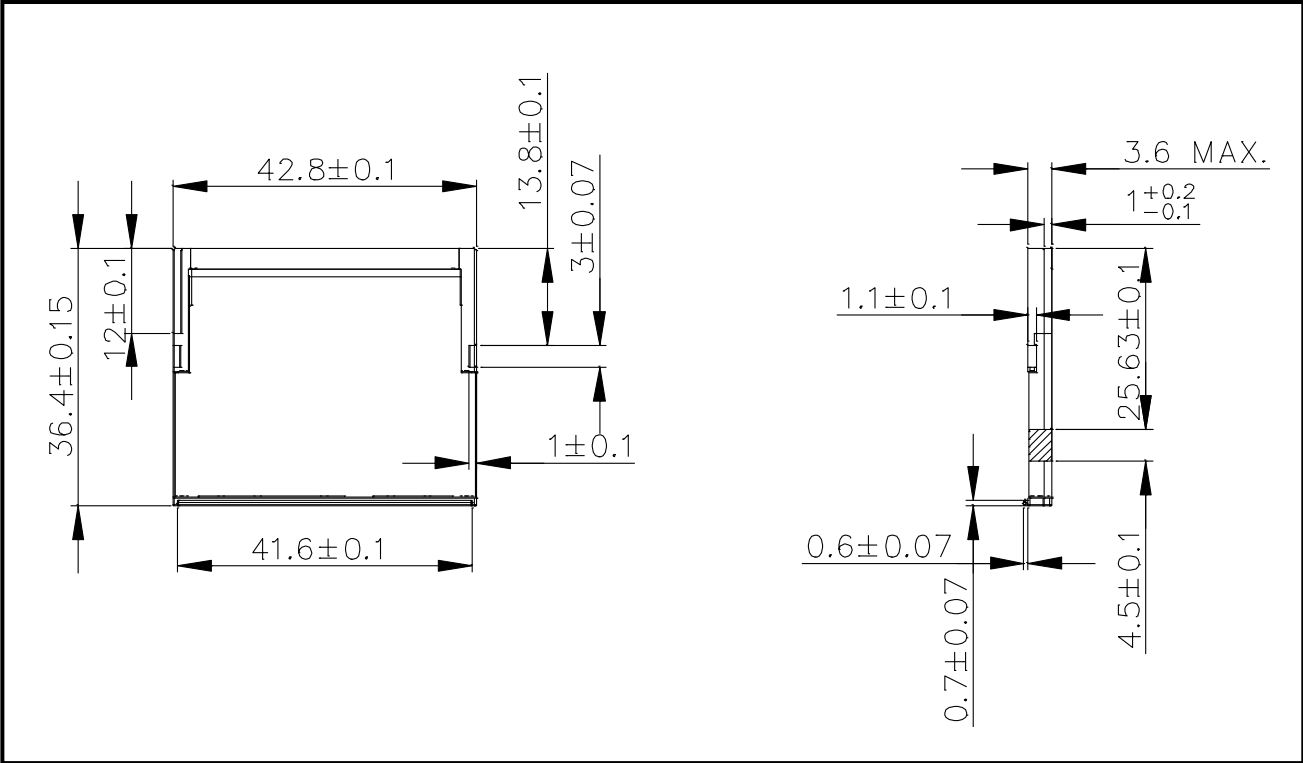
2.9 Pin Assignment

Innodisk CFast 3IE uses a standard SATA pin-out. See Table 8 for CFast 3IE pin assignment.

Table 8: Innodisk CFast 3IE Pin Assignment

Name	Type	Description
S1	SGND	Ground for signal integrity
S2	A+	Differential Signal Pair A
S3	A-	
S4	SGND	Ground for signal integrity
S5	B-	Differential Signal Pair B
S6	B+	
S7	SGND	Ground for signal integrity
Key and Spacing separate signal and power segments		
P1	CDI	Card Detect In
P2	PGND	Device Ground
P3	DEVSLP	Device sleep
P4	TBD	Reserved
P5	TBD	Reserved
P6	TBD	Reserved
P7	PGND	Device Ground
P8	LED1	LED Output
P9	LED2	LED Output
P10	TBD	Reserved
P11	TBD	Reserved
P12	IFDet	NA
P13	PWR	Device Power (3.3V)
P14	PWR	Device Power (3.3V)
P15	PGND	Device Ground
P16	PGND	Device Ground
P17	CDO	Card Detect Out

2.10 Mechanical Dimensions



2.11 Assembly Weight

An InnodiskCFast 3IE within iSLC flash ICs, 32GB's weight is 8 grams approx. The total weight of card will be less than 10 grams.

2.12 Seek Time

Innodisk CFast 3IE is not a magnetic rotating design. There is no seek or rotational latency required.

2.13 Hot Plug

The card support hot plug function and can be removed or plugged-in during operation. User has to avoid hot plugging the card which is configured as boot device and installed operation system.

Surprise hot plug : The insertion of a SATA device into a backplane (combine signal and power) that has power present. The device powers up and initiates an OOB sequence.

Surprise hot removal: The removal of a SATA device from a powered backplane, without first being placed in a quiescent state.

2.14 NAND Flash Memory

Innodisk CFast 3IE uses iSLC NAND flash memory, which is non-volatility, memory storage. High reliability which has 20,000 program/erase times and high speed memory storage.

3. Theory of Operation

3.1 Overview

Figure 2 shows the operation of Innodisk CFast 3IE from the system level, including the major hardware blocks.

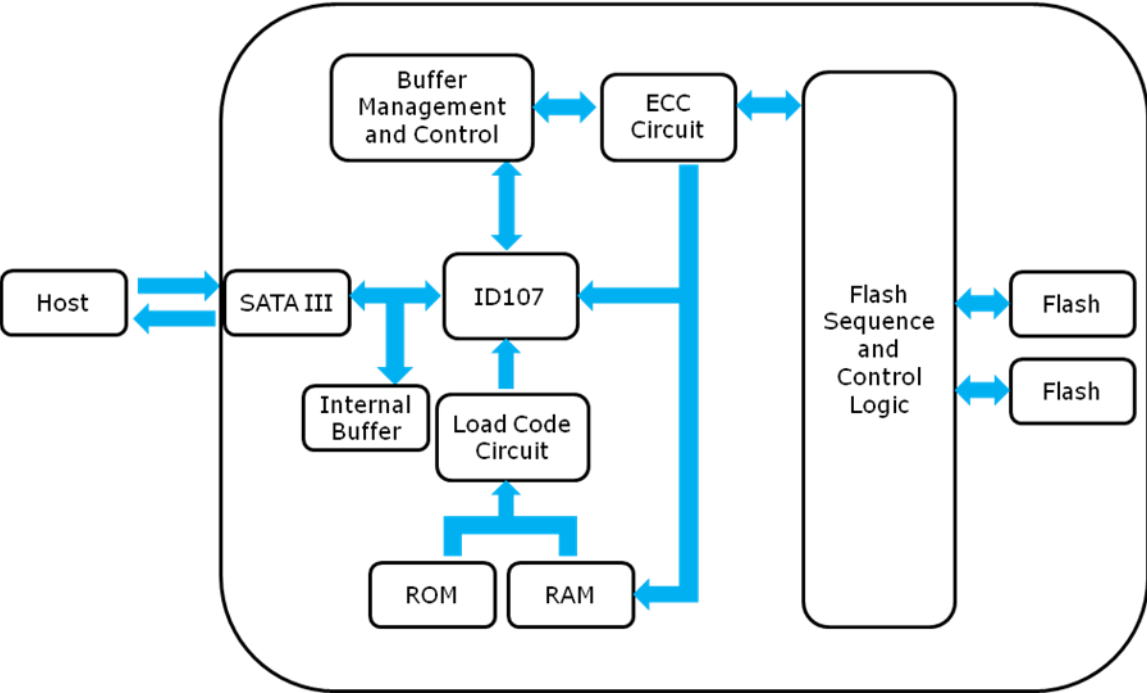


Figure 2: Innodisk CFast 3IE Block Diagram

Innodisk CFast 3IE integrates a SATA III controller and NAND flash memories. Communication with the host occurs through the host interface, using the standard ATA protocol. Communication with the flash device(s) occurs through the flash interface.

3.2 SATA III Controller

Innodisk CFast 3IE is designed with ID 107, a SATA III 6.0Gbps (Gen. 3) controller. The Serial ATA physical, link and transport layers are compliant with Serial ATA Gen 1, Gen 2 and Gen 3 specification (Gen 3 supports 1.5Gbps/3.0Gbps/6.0Gbps data rate). The controller has 4 channels for flash interface.

3.3 Error Detection and Correction

Highly sophisticated Error Correction Code algorithms are implemented. The ECC unit consists of the Parity Unit (parity-byte generation) and the Syndrome Unit (syndrome-byte computation). This unit implements an algorithm that can correct 40 bits per 1024 bytes in an ECC block. Code-byte generation during write operations, as well as error detection during read operation, is implemented on the fly without any speed penalties.

3.4 Wear-Leveling

Flash memory can be erased within a limited number of times. This number is called the **erase cycle limit** or **write endurance limit** and is defined by the flash array vendor. The erase cycle limit applies to each individual erase block in the flash device.

Innodisk CFast 3IE uses a static wear-leveling algorithm to ensure that consecutive writes of a specific sector are not written physically to the same page/block in the flash. This spreads flash media usage evenly across all pages, thereby extending flash lifetime.

3.5 Bad Blocks Management

Bad Blocks are blocks that contain one or more invalid bits whose reliability are not guaranteed. The Bad Blocks may be presented while the SSD is shipped, or may develop during the life time of the SSD. When the Bad Blocks is detected, it will be flagged, and not be used anymore. The SSD implement Bad Blocks management, Bad Blocks replacement, Error Correct Code to avoid data error occurred. The functions will be enabled automatically to transfer data from Bad Blocks to spare blocks, and correct error bit.

3.6 Power Cycling

Innodisk's power cycling management is a comprehensive data protection mechanism that functions before and after a sudden power outage to SSD. Low-power detection terminates data writing before an abnormal power-off, while table-remapping after power-on deletes corrupt data and maintains data integrity. Innodisk's power cycling provides effective power cycling management, preventing data stored in flash from degrading with use.

3.7 Garbage Collection

Garbage collection technology is used to maintain data consistency and perform continual data cleansing on SSDs. It runs as a background process, freeing up valuable controller resources while sorting good data into available blocks, and deleting bad blocks.

4. Installation Requirements

4.1 CFast 3IE Pin Directions

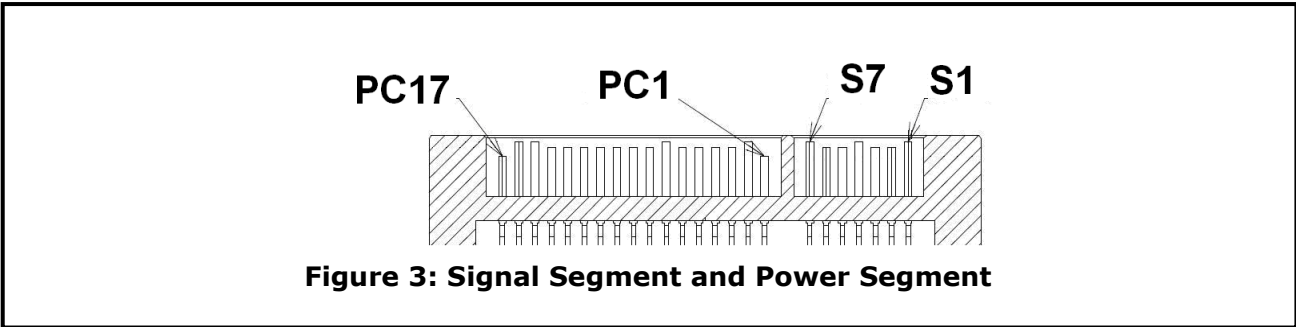
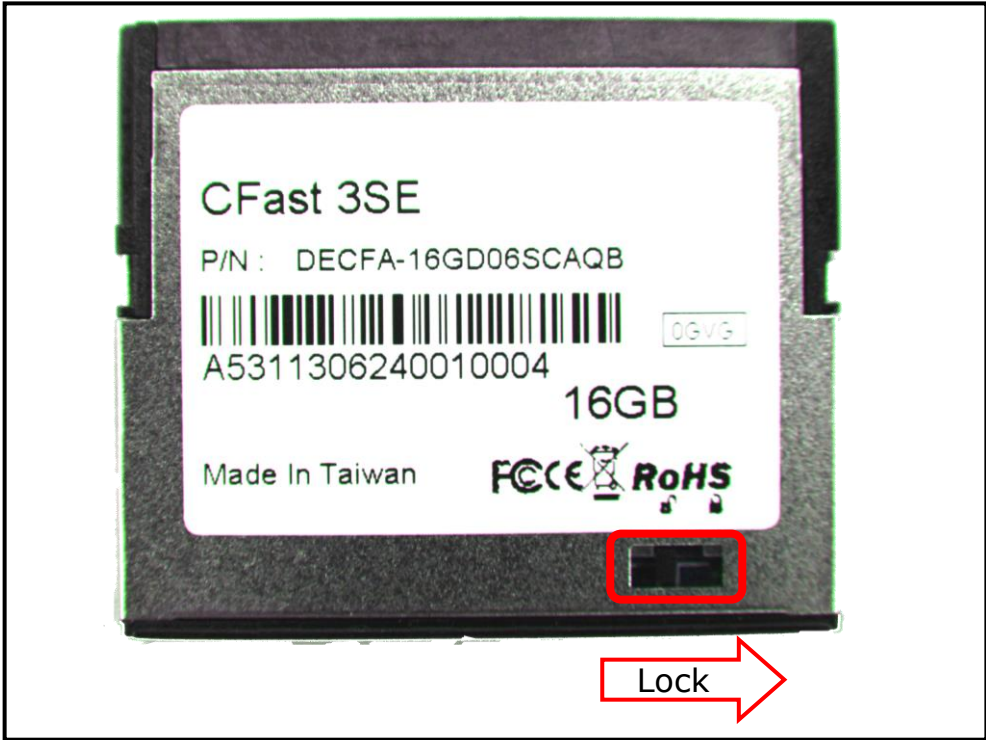


Figure 3: Signal Segment and Power Segment

4.2 Electrical Connections for CFast 3IE

A Serial ATA device may be either directly connected to a host or connected to a host through a cable. For connection via cable, the cable should be no longer than 1meter. The SATA interface has a separate connector for the power supply. Please refer to the pin description for further details.

4.3 Write Protection



Innodisk CFast 3IE within the write-protect function could prevent the device from modification and deletion. Write-protected data could only be read, that is, users could not write to it, edit it, append data to it, or delete it. When users would like to make sure that neither themselves nor others could modify or destroy the file, users could switch on write-protection. Thus, Innodisk CFast 3IE could process write-protect mechanism and disable flash memory to be written-in any data. Only while the system power-off, users could switch on write-protection. Write-protection

could not be switched-on, after OS booting.

4.4 Device Drive

No additional device drives are required. Innodisk CFast 3IE can be configured as a boot device.

5. Part Number Rule

CODE	1	2	3	4	5	6	7	8	9	10	11	12	13	14	15	16	17	18	19	20
	D	H	C	F	A	-	3	2	G	D	0	7	3	C	3	D	C	-	X	X
Description	Disk	CFast 3IE					Capacity			Controller			Flash Mode	Operation Temp.	Internal Control	CH.	Flash Type	-	Customized Code	
Definition																				
Code 1st (Disk)											Code 13th (Flash Mode)									
D : Disk											3: Toshiba A19 nm Synchronous NAND									
Code 2nd ~ 5th (Form Factor)											Code 14th (Operation Temperature)									
HCFA: CFast 3IE											C: Standard Grade (0°C ~ +70°C)									
Code 7th ~9th (Capacity)											Code 15th (Internal control)									
08G: 08GB											Code 16th (Channel of data transfer)									
16G: 16GB											Code 17th (Flash Type)									
32G: 32GB											D: Dual Channels									
64G: 64GB											Code 19th~20th (Customized Code)									
Code 10th ~12th (Controller)											C: Toshiba MLC									
D07: ID107																				

6. Appendix

CE/FCC/RoHS/REACH

Verification of Compliance

Product Name : CFast 3ME/3IE
 Model Number : DE (H)CFA- XXXD07* # % ※ &
 XXX: 4GB~64GB
 * : Flash Mode
 # : Temperature (C : Commercial Temp W : Industrial Temp)
 % : PCB Version (A, B, C... or 1, 2, 3...)
 ※ : Channel (S : Single, D: Dual, T: Three, Q : Quad, E : Eight)
 & : Flash Vender (T : Micron SLC, S : Samsung SLC,
 N : Micron MLC, B : Toshiba SLC, C: Toshiba MLC,
 F: Sandisk SLC, X: SLC)

Applicant : InnoDisk Corporation
 Address : 9F, No.100, Sec. 1, Xintai 5th Rd., Xizhi Dist., New Taipei City 221,
 Taiwan

Report Number : O22-U070-1306-273
 Issue Date : July 22, 2013
 Applicable Standards : EN 55022:2010 Class B ITE
 AS/NZS CISPR22:2009 Class B ITE
 EN 55024:2010
 EN 61000-4-2:2009
 EN 61000-4-3:2006+A1:2008+A2:2010
 EN 61000-4-4:2004+A1:2010

Based on the EMC Directive 2004/108/EC and the specifications of the customer, one sample of the designated product has been tested in our laboratory and found to be in compliance with the EMC standards cited above.



TAF 0905
 FCC CAB Code TW1053
 NVLAP Lab Code 200575-0
 IC Code 4699A
 VCCI Accep. No. R-1527, C-1609, T-1441, G-10,
 C-4400, T-1334, G-614



Central Research Technology Co.
 EMC Test Laboratory
 11, Lane 41, Fushuen St., Jungshan Chiu,
 Taipei, Taiwan, 104, R.O.C.
 Tel : 886-2-25984568
 Fax: 886-2-25984546

J. Y. Shih

(Tsun-Yu Shih/ General Manager)
 Date: July 22, 2013

Verification of Compliance

Product Name : CFast 3ME/3IE
 Model Number : DE (H)CFA- XXXD07* # % ※ &
 XXX: 4GB~64GB
 * : Flash Mode
 # : Temperature (C : Commercial Temp W : Industrial Temp)
 % : PCB Version (A, B, C... or 1, 2, 3...)
 ※ : Channel (S : Single, D: Dual, T: Three, Q : Quad, E : Eight)
 & : Flash Vender (T : Micron SLC, S : Samsung SLC,
 N : Micron MLC, B : Toshiba SLC, C: Toshiba MLC,
 F: Sandisk SLC, X: SLC)

Applicant : InnoDisk Corporation
 Address : 9F, No.100, Sec. 1, Xintai 5th Rd., Xizhi Dist., New Taipei City 221,
 Taiwan

Report Number : F-U070-1306-273
 Issue Date : July 22, 2013

Applicable Standards : FCC Part 15, Subpart B Class B ITE
 ANSI C63.4:2009
 Industry Canada ICES-003 Issue 5
 CSA-IEC CISPR22-10 Class B ITE

One sample of the designated product has been tested in our laboratory and found to be in compliance with the FCC rules cited above.



NVLAP LAB CODE 200575-0

TAF 0905

FCC CAB Code TW1053

IC Code 4699A

VCCI Accep. No. R-1527, C-1609, T-1441, G-10,

C-4400, T-1334, G-614



Central Research Technology Co.

EMC Test Laboratory

11, Lane 41, Fushuen St., Jungshan Chiu,

Taipei, Taiwan, 104, R.O.C.

Tel : 886-2-25984568

Fax: 886-2-25984546

(Tsun-Yu Shih/ General Manager)

Date: July 22, 2013

innodisk

宜鼎國際股份有限公司 Innodisk Corporation

Tel:(02)7703-3000 Fax:(02) 7703-3555 Internet: <http://www.innodisk.com/>

REACH Declaration of Conformity

Manufacturer Product: All Innodisk EM Flash and Dram products

1.宜鼎國際股份有限公司（以下稱本公司）特此保證此售予貴公司之產品，皆符合歐盟化學品法案(Registration , Evaluation and Authorization of Chemicals ; REACH)之規定

(<http://www.echa.europa.eu/de/candidate-list-table> last updated: 16/05/2014)。所提供之產品包含：(1) 產品或產品所使用到的所有原物料；(2)包裝材料；(3)設計、生產及重工過程中所使用到的所有原物料。

We Innodisk Corporation hereby declare that our products are in compliance with the requirements according to the REACH Regulation

(<http://www.echa.europa.eu/de/candidate-list-table> last updated: 16/06/2014).

Products include : 1) Product and raw material used by the product ; 2) Packaging material ; 3) Raw material used in the process of design, production and rework

2.本公司同意因本保證書或與本保證書相關事宜有所爭議時，雙方宜友好協商，達成協議。

InnoDisk Corporation agrees that both parties shall settle any dispute arising from or in connection with this Declaration of Conformity by friendly negotiations.

立保證書人 (Guarantor)

Company name 公司名稱：InnoDisk Corporation 宜鼎國際股份有限公司

Company Representative 公司代表人：Richard Lee 李鐘亮

Company Representative Title 公司代表人職稱：CEO 執行長

Date 日期：2014 / 07 / 29



宜鼎國際股份有限公司 Innodisk Corporation

Tel:(02)7703-3000 Fax:(02) 7703-3555 Internet: http://www.innodisk.com/

RoHS 自我宣告書(RoHS Declaration of Conformity)

Manufacturer Product: All Innodisk EM Flash and Dram products

- 一、 宜鼎國際股份有限公司（以下稱本公司）特此保證售予貴公司之所有產品，皆符合歐盟 2011/65/EU 關於 RoHS 之規範要求。

Innodisk Corporation declares that all products sold to the company, are complied with European Union RoHS Directive (2011/65/EU) requirement

- 二、 本公司同意因本保證書或與本保證書相關事宜有所爭議時，雙方宜友好協商，達成協議。

Innodisk Corporation agrees that both parties shall settle any dispute arising from or in connection with this Declaration of Conformity by friendly negotiations.

Name of hazardous substance	Limited of RoHS ppm (mg/kg)
Cd	< 100 ppm
Pb	< 1000 ppm
Hg	< 1000 ppm
Chromium VI (Cr+6)	< 1000 ppm
Polybromodiphenyl ether (PBDE)	< 1000 ppm
Polybrominated Biphenyls (PBB)	< 1000 ppm

立保證書人 (Guarantor)

Company name 公司名稱： Innodisk Corporation 宜鼎國際股份有限公司

Company Representative 公司代表人： Richard Lee 李鐘亮

Company Representative Title 公司代表人職稱： CEO 執行長

Date 日期： 2014 / 07 / 29

