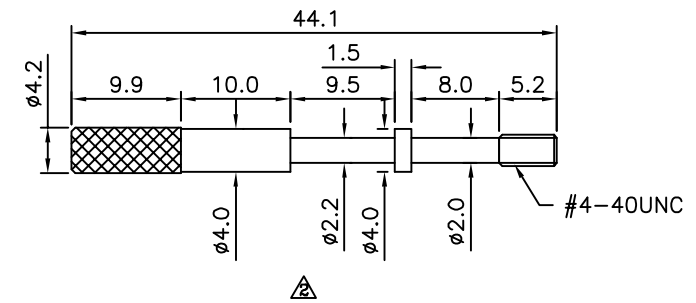
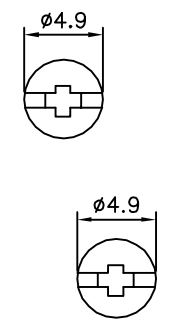
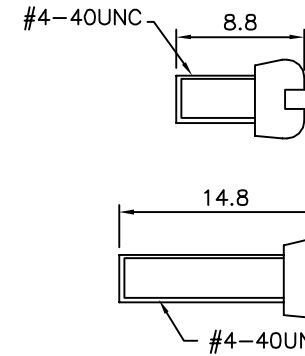
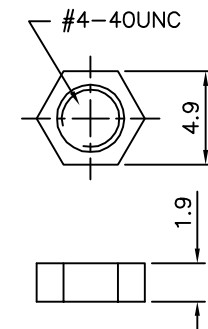
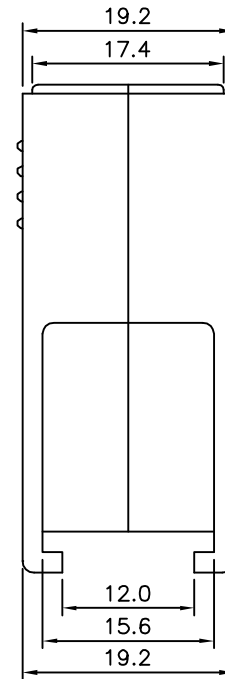
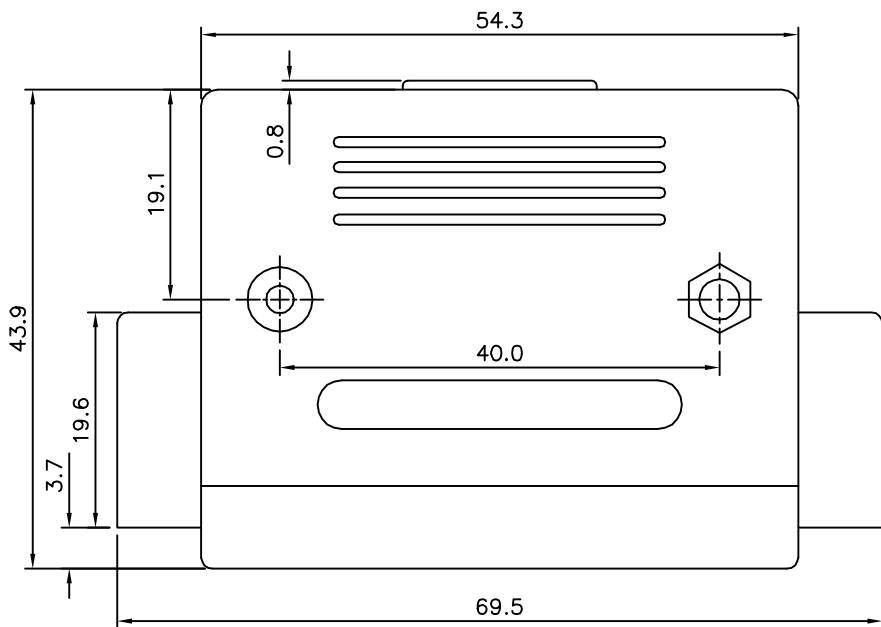


SPECIFICATION

Insulator:ABS,UL94HB
 Screw,Nut,Clip And Other:Steel,Nickel Plated
 Packing:1 Bag/Set
 RoHS Compliant

$$\triangle DH \frac{50}{(1)} \frac{X}{(2)} \frac{T}{(3)} \frac{1}{(4)} \frac{-}{(5)} \frac{H}{(6)}$$

- (1) DH:D-SUB Screw-On Hood With Metal S.R.
- (2) 50:No. Of Position
- (3) X:Insulator Color
 K:Black
 G:Gray
 B:Beige
 C:Chromate
- (4) T:With Thumbscrew
- (5) 1:One Bag/Set
- (6) H:RoHS Compliant



AUK A MEMBER OF AUK GROUP
太聯事業股份有限公司
AUK CONTRACTORS CO., LTD.

CATEGORY		APPROVED BY		UNLESS OTHERWISE SPECIFIED TOLERANCES ARE $\triangle X \pm 0.5$ $\triangle .X \pm 0.3$ $\triangle .XX \pm 0.2$ ANG. $\pm 5^\circ$
PART No. DH50XT-1-H		EMILY		
DRAWING No. DH50XT-1-H		CHECKED BY HZF		
SCALE NONE		DRAWING BY SONG		
REV.	A2	UNIT mm		

NO.	REV.	REVISIONS	CHK	DATE
A2		Modify Data	HZF	02/06/2014
A1		Modify Data	HZF	02/12/2009
A0		NEW RELEASE	HZF	05/08/2008