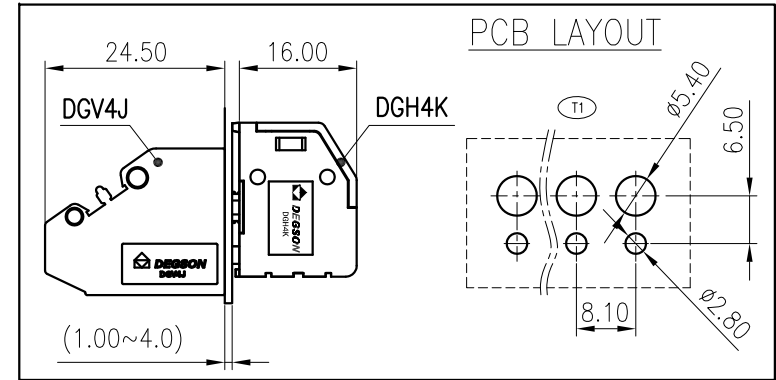
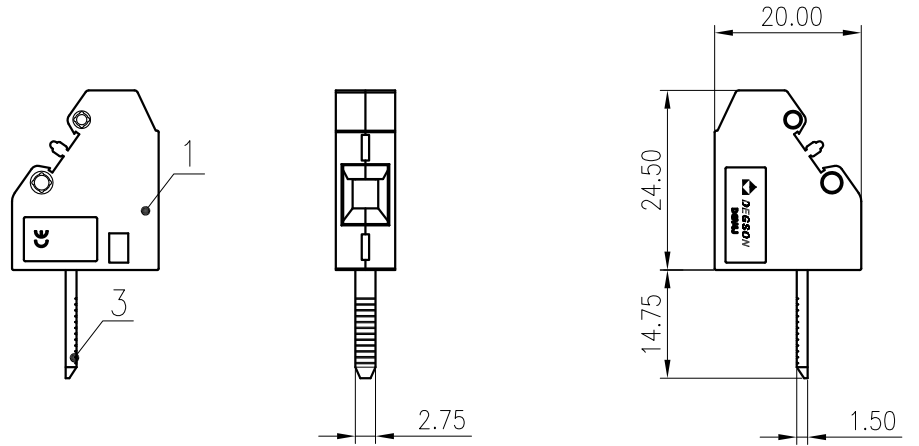
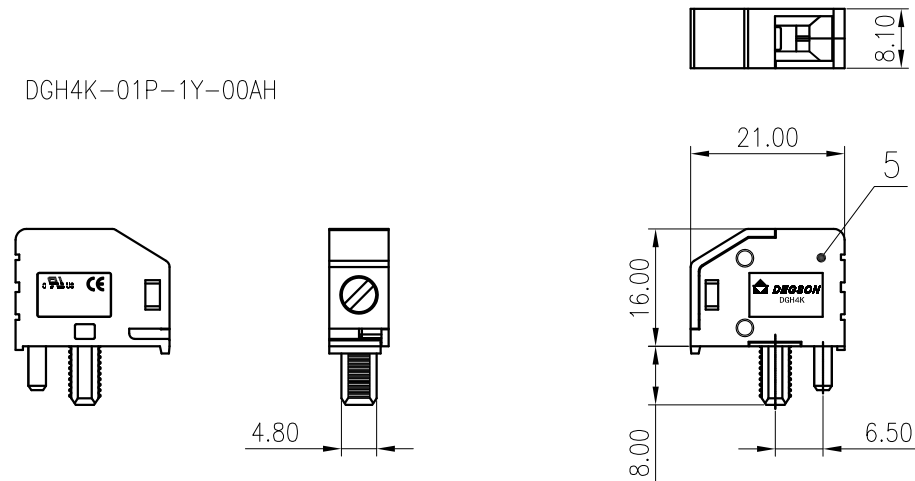


未注公差/General tolerances(mm)											0.1/10		
0	>3	>6	>10	>18	>30	>50	>80	>120	>180	>250		>315	>400
~3	~6	~10	~18	~30	~50	~80	~120	~180	~250	~315	~400	~500	~2.50
±0.12	±0.18	±0.22	±0.26	±0.31	±0.37	±0.57	±0.80	±0.93	±1.05	±1.15	±1.60	±2.20	±2.50
													±2'

DGV4J-01P-1Y-00AH



DGH4K-01P-1Y-00AH



DGV4-XXP-1Y-00AH

DGV4 - series

XXP - number of Pins (number of contacts)

1 - single-row

Y = 1 (Grey Color of Housing)

00AH - no value

5	Housing2	PA66	UL94V-0	
4	Cage	Copper alloy	Ni Plated	
3	Current carrier	Copper	Sn Plated	
2	Screw	Copper alloy	Sn Plated	
1	Housing1	PA66	UL94V-0	
ITEM	NAME OF PART	MATERIAL	NOTES	
JL 标准/UL Standard:		B	C	D
额定电压/电流/Rated Voltage(V)/Current(A)		300/30	7	7
IEC 标准/IEC Standard:				
过压类别/Overvoltage Category/污染等级/Pollution Degree		III/3	III/2	II/2
额定电压/电流/Rated Voltage(V)/Current(A)		400/41	/	/
额定脉冲电压(KV)/Rate Impulse Voltage(KV)		6	/	/
螺丝扭矩/Torque Tightening(N·m/Lb.in)		M3, 0.5/4.43		
线径范围(硬线和软线)/Wire Range(rigid and flexible)(AWG/mm ²)		30~10/0.2~6		
间距/Pitch(mm)/线数范围/Poles		8.1/N=01P		
剥线长度/Stripping length(mm)		9		
使用温度范围/Operating temperature(°C)		-40~+105		
符合RoHS环保要求/Conform to RoHS		Yes		

MATERIAL:	/	SURFACE:	/				
MAT NO.:	/	宁波高松电子有限公司 NINGBO DEGSON ELECTRICAL CO., LTD					
STATUS:	/						
APPD:	ZhuWM 2021.07.14						
CHKD:	CaoLB 2021.07.14	NAME:	DGV4-01P-1Y-00A(H)				
DRFT:	CZM 2016.08.09	DRAWING NO.:	DGV4-C01	REV	T1		
SIZE:	A4	TYPE:	CUSTOMER DRAWING	SCALE:	1:1	SHEET	1/1

(T1)	/	Updata drawing	CenX	2021.05.20	DRFT:	CZM	2016.08.09
REV	ECN	DESCRIPTION	DRFT	DATE			

Transfer or duplication of this document as well as the utilization or communication of its contents are prohibited unless explicit authorization is granted. Violations will be liable for compensation. All rights reserved for patent, utility, model or designs registrations. 除非给予明确授权,否则禁止转让、复制、利用、交流本文件的内容。侵犯者须承担赔偿责任。未经许可,不得复制或传播本文件。 版权所有,保留所有权利。