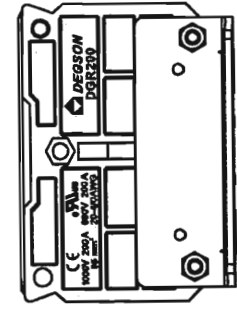
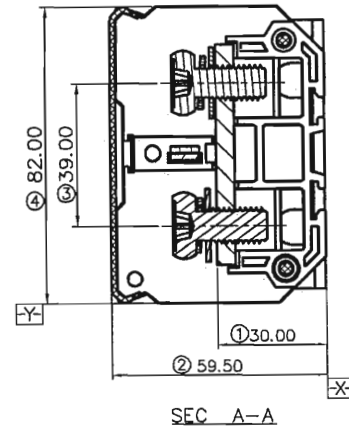
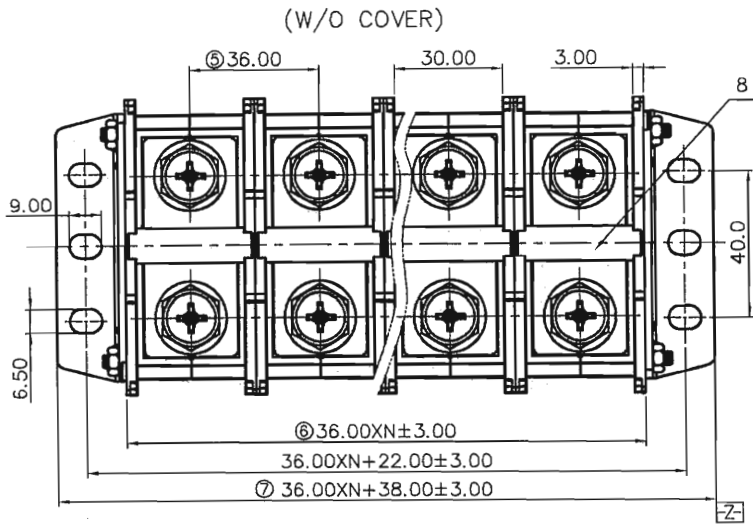


REVISION RECORD				
REV	ECN	DESCRIPTION	DRFT	DATE
△	15-0336	修改图面	XFH	08/11/15"



文管中心  
研发专用  
2015.08.22  
(仅限内部使用,对外无效)

备注一:

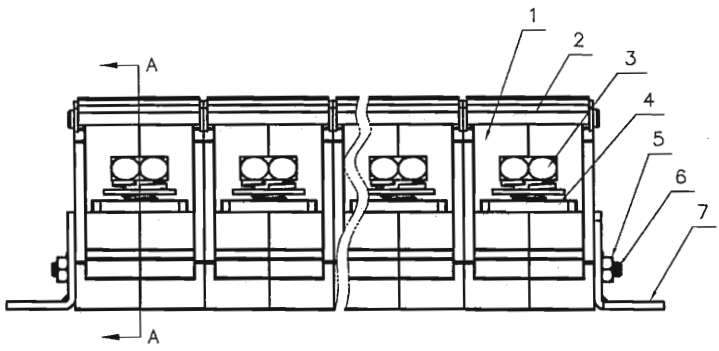
- UL 标准
- 1. 额定电压与电流: 600V / 200A
- 2. 螺丝扭力: M10, 80.0lb.in
- 3. 线径范围: 4/0~20AWG

备注二:

- 1. 尺寸标注符合标准 ASME Y14.5-2009
- 2. P距: 36.0mm, P数范围: N=01~11P
- 3. 工频耐压: AC2200V/1Min.
- 4. 使用温度范围: -40°C~+125°C
- 5. "⊗" 为重点管控尺寸
- 6. 未注公差表:

P距方向公差(mm)		其他尺寸公差(mm)				- / ∇	
≤6	6 ~ 10	10 ~ 24	≤30	30 ~ 60	60 ~ 100	100 ~ 150	>150
±0.10		±0.15	±0.25	±0.20	±0.30	±0.50	±0.70
							±1.00

7. 须符合RoHS 环保要求



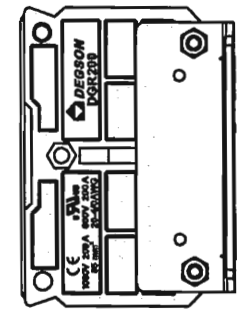
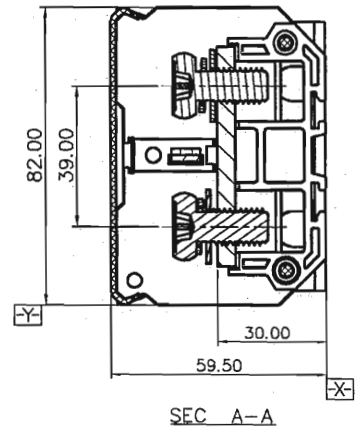
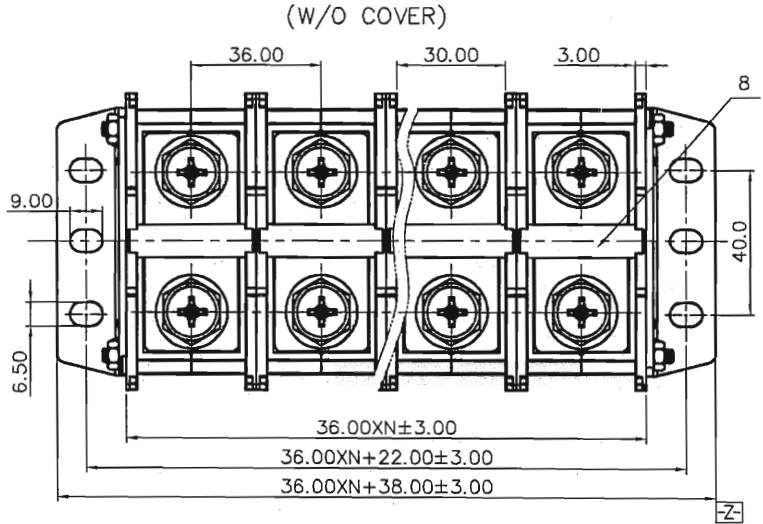
Connect pillar Refer to table "H"

POLES(N)	NO. OF PART	L(mm)
11P	S000005620(H)	410
10P	S000005610(H)	374
09P	S000005600(H)	338
08P	S000005590(H)	302
07P	S000005580(H)	266
06P	S000004970(H)	231
05P	S000004950(H)	193
04P	S000005190(H)	158
03P	S000005560(H)	122
02P	S000005290(H)	86
01P	S000007270(H)	50

8	DGR200 标记条	6183J0901A(H)	XX	PVC	UL94V-0
7	DGR200 固定件	6183B00020(H)	2	钢	镀锌
6	DGR200 连接柱	Refer to table "H"	2	不锈钢	
5	M4.0 螺母	S000004790(H)	4	钢	镀锌
4	DGR200-80A 载流体	6183B00010(H)	XX	黄铜	镀镍
3	M10*26 "十"字螺丝	S000004980(H)	XX*2	钢	镀锌

2	DGR200 透明盖板	6183C0701C(H)	XX	PC	UL94V-2
1	DGR200 塑体	6183AYD01A(H)	XX*2	PC	UL94V-0
ITEM	NAME OF PART	NO. OF PART	Q"TY	MATERIAL	NOTES
PART NO.:		宁波高松电子有限公司 NINGBO DEGSON ELECTRICAL CO., LTD			
APPD: <i>Aaron 8/13/15</i>		NAME: DGR200-XXP-1Y-20A(H)			
CHKD: <i>Deany 8/11/15</i>		TITLE: ASSEMBLY DRAWING			
DRFT: <i>Wujin 10/20/14"</i>		REV		T1	
DRAWING NO.: DGR200-E02		SHEET		1/1	
THIRD ANGLE PROJECTION		DO NOT SCALE DRAWING		SCALE 1:1	

REVISION RECORD				
REV	ECN	DESCRIPTION	DRFT	DATE

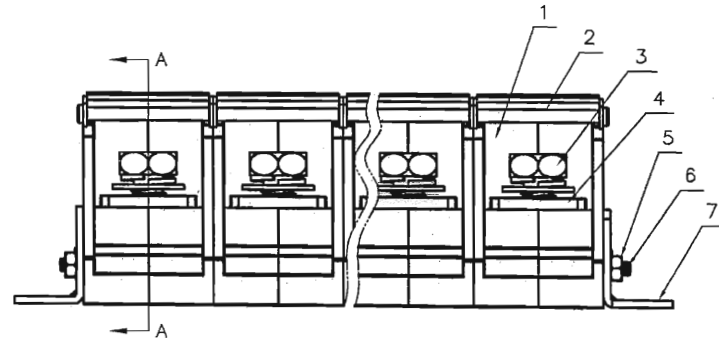


NOTES1:  
 UL Standard  
 1. Rated Voltage/Current : 600V / 200A  
 2. Torque Value : M10 , 80.0Lb.in  
 3. Wire Range : 4/0~20AWG

NOTES2:  
 1. Dimension shall be interpreted per ASME Y14.5-2009  
 2. Pitch : 36.0mm, Poles : N=01~11P  
 3. Withstanding Voltage : AC2200V/1Min.  
 4. Operating temperature: -40°C~+125°C  
 5. Undimensioned Tolerances:

Pitch Range In mm		Nominal Dimension Range In mm					0.1/10	
Over 5 TO 6	Over 10 TO 10	Over 24 TO 30	Over 30 TO 60	Over 60 TO 100	Over 100 TO 150	Over 150 TO 150	0.1/10	
±0.15	±0.20	±0.30	±0.30	±0.50	±0.70	±1.00	±1.30	±2'

6. RoHS Compliance



Connect pillar Refer to table "H"

11P	S000005620(H)	410
10P	S000005610(H)	374
09P	S000005600(H)	338
08P	S000005590(H)	302
07P	S000005580(H)	266
06P	S000004970(H)	231
05P	S000004950(H)	193
04P	S000005190(H)	158
03P	S000005560(H)	122
02P	S000005290(H)	86
01P	S000007270(H)	50
POLES(N)	NO. OF PART	L(mm)

文管中心  
 研发专用  
 2015.08.22  
 (仅限内部使用,对外无效)

2	DGR200 Transparent Cover	PC	UL94V-2
1	DGR200 Housing	PC	UL94V-0
ITEM	NAME OF PART	MATERIAL	NOTES

8	DGR200 Tag	PVC	UL94V-0
7	DGR200 Fastener	Steel	Zn plated
6	DGR200 Connect pillar	Stainless steel	
5	M4.0 Nut	Steel	Zn plated
4	DGR200-80A Current carrier	Brass	Ni plated
3	M10*26 "+" Screws	Steel	Zn plated

**DEGSON** 宁波高松电子有限公司  
 NINGBO DEGSON ELECTRICAL CO., LTD

NAME: DGR200-XXP-1Y-20A(H)  
 TITLE: CUSTOMER DRAWING  
 DRAWING NO.: DGR200-C02  
 SHEET: 1/1  
 DO NOT SCALE DRAWING  
 SCALE: 1:1

APPD: Aaron 8/12/15  
 CHKD: Henry 8/11/15  
 DRFT: XFH 08/11/15

THIRD ANGLE PROJECTION