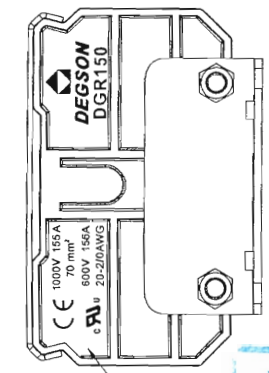
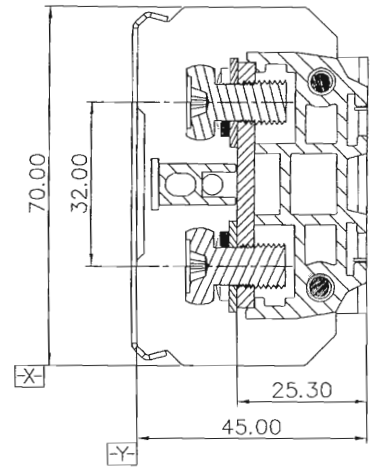
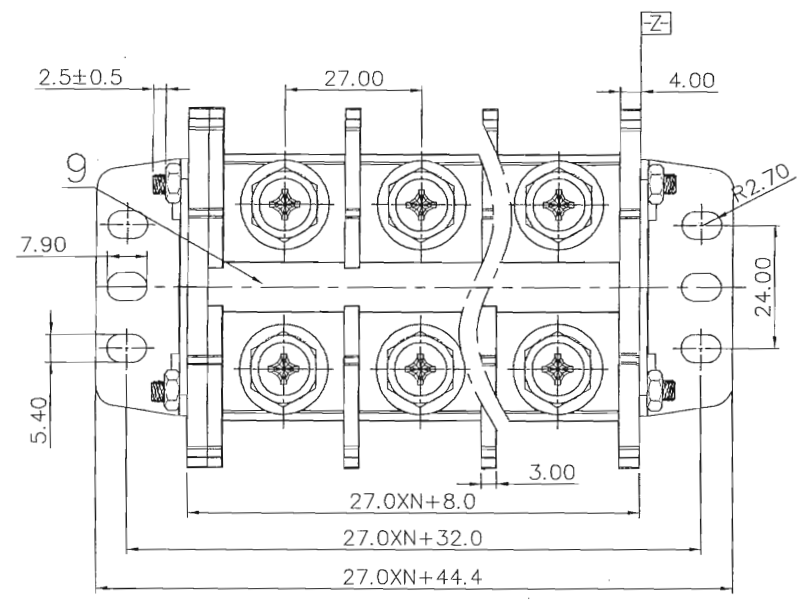


REVISION RECORD

REV	ECN	DESCRIPTION	DRFT	DATE
△	12-0124	修改及增加IEC刻字	COCO	06/16/12
△	13-0147	载流体电镀锌改为镀镍	HZJ	09/03/13
△	15-0236	依实物修改图面, 更改载流体	MEK	06/17/15



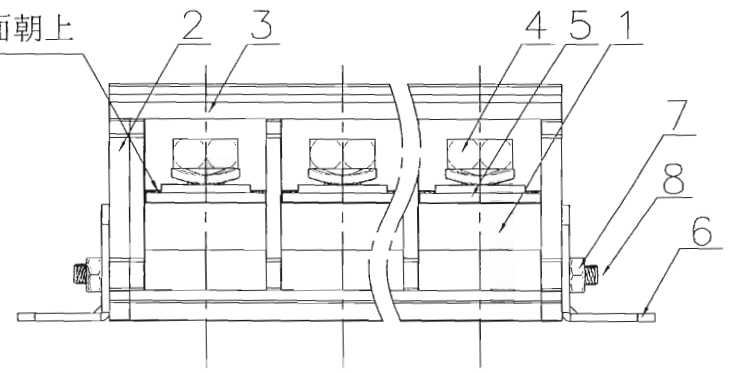
NOTES:
 1. DIMENSION SHALL BE INTERPRETED PER ASME Y14.5-2009.
 2. PITCH: 27.0MM, POLES: N=2-11P
 3. RATED VOLTAGE/CURRENT: UL 600V/155A IEC 1000V/155A
 4. OPERATION TEMPERATURES: -40°C~+120°C
 5. WITHSTANDING VOLTAGE: AC3500V/1MIN
 6. INSULATION RESISTANCE: 5000Ω/DC1000V
 7. WIRE RANGE: 20~2/0AWG, 70MM²
 8. MAX. TORQUE VALUE: M8, 40Lb.in(4.5N.m)
 9. UNDIMENSIONED TOLERANCES:

PITCH RANGE IN MM	NOMINAL DIMENSION RANGE IN MM						—
	OVER 6 TO 10	OVER 10 TO 24	OVER 30 TO 60	OVER 60 TO 100	OVER 100 TO 150	OVER 150	
±0.10	±0.15	±0.25	±0.20	±0.30	±0.50	±0.70	±1.00
							0.05/10

Connect pillar Refer to table "H"

POLES(N)	NO. OF PART	L(mm)
11P	S000005710(H)	317
10P	S000004940(H)	290
09P	S000005580(H)	266
08P	S000005530(H)	236
07P	S000005690(H)	210
06P	S000005510(H)	182
05P	S000005190(H)	158
04P	S000005660(H)	128
03P	S000005480(H)	100
02P	S000005540(H)	74

载流体光面朝上



NO.	DESCRIPTION	PART NO.	QTY	MATERIAL	FINISH
9	DGR Tag	6180J09XXE(H)	1	PVC	UL94V-0
8	DGR150-20A Connect pillar	Refer to table "H"	2	Stainless steel	
7	M4.0*0.5 Nut	S000004790(H)	4	Steel	ZN PLATED
6	DGR150-20A Fastener	6180B00020(H)	2	SPCC	ZN PLATED
5	DGR150-00A Current carrier	6180B00010(H)	XX	Brass	NI PLATED
4	M8.0*16 "+"Screws	S000004800(H)	XX*2	Steel	ZN PLATED
3	DGR150-00A Cover	6180C07XXA(H)	1	PC	UL94V-2
2	DGR150-00A Housing1	6180AYY01A(H)	2	PC	UL94V-0

ITEM	NAME OF PART	NO. OF PART	Q"TY	MATERIAL	NOTES
1	DGR150-00A Housing2	6180AYY01C(H)	XX	PC	UL94V-0

TOLERANCES EXCEPT AS NOTED		FINISH:		MATERIAL:	
.X ±	.X' ±	PART NO.:		NAME:	
.XX ±	.XX' ±	APPD: Aaron 6/22/11		TITLE: ASSEMBLY DRAWING	
.XXX ±	.XXX' ±	CHKD: Perry 6/22/11		DRAWING NO.: DGR150-E04	
ANGLES ± 1°		DRFT: Merry.t 07/12/11		REV	T3
THIRD ANGLE PROJECTION		DO NOT SCALE DRAWING		SCALE	N/A
				SHEET	1/1

水管中心
 研发专用
 2015.06.29
 对外天