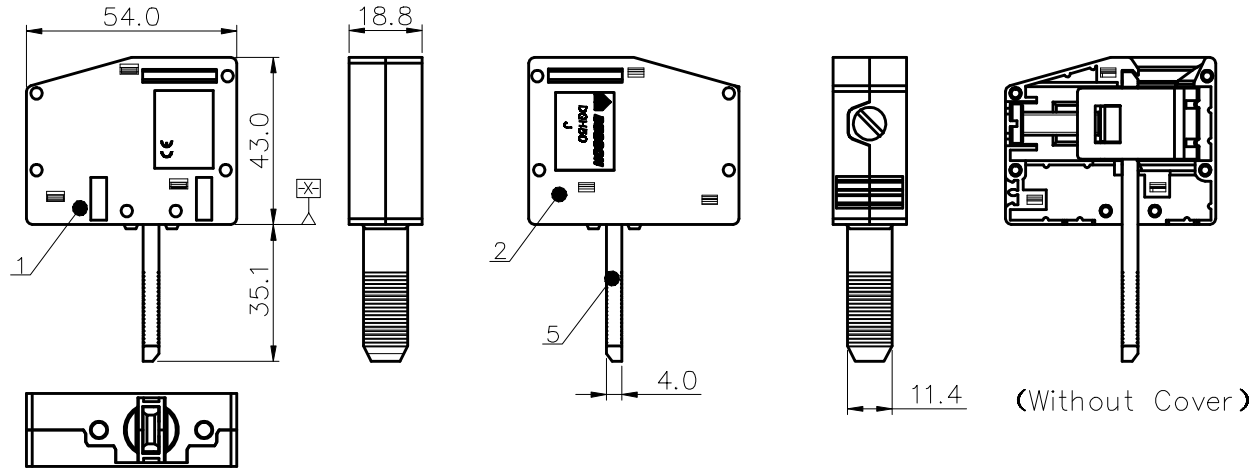


| 未注公差/General tolerances(mm) | | | | | | | | | | | 0.1/10 ±2' | | |
|-----------------------------|-------|-------|-------|-------|-------|-------|-------|-------|-------|-------|---------------|-------|-------|
| 0 | >3 | >6 | >10 | >18 | >30 | >50 | >80 | >120 | >180 | >250 | | >315 | >400 |
| ~3 | ~6 | ~10 | ~18 | ~30 | ~50 | ~80 | ~120 | ~180 | ~250 | ~315 | ~400 | ~500 | ~500 |
| ±0.12 | ±0.18 | ±0.22 | ±0.26 | ±0.31 | ±0.37 | ±0.57 | ±0.80 | ±0.93 | ±1.05 | ±1.15 | ±1.60 | ±2.20 | ±2.50 |

A

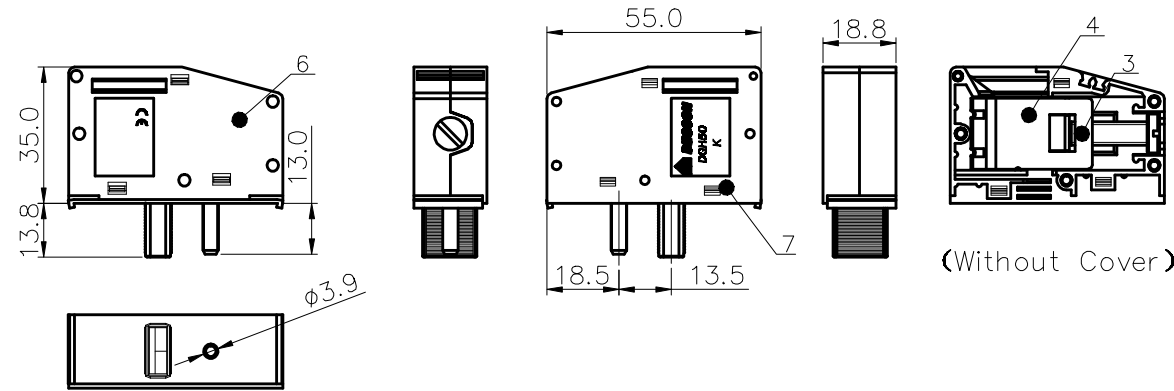
DGH50J-01P-1Y-00A(H)



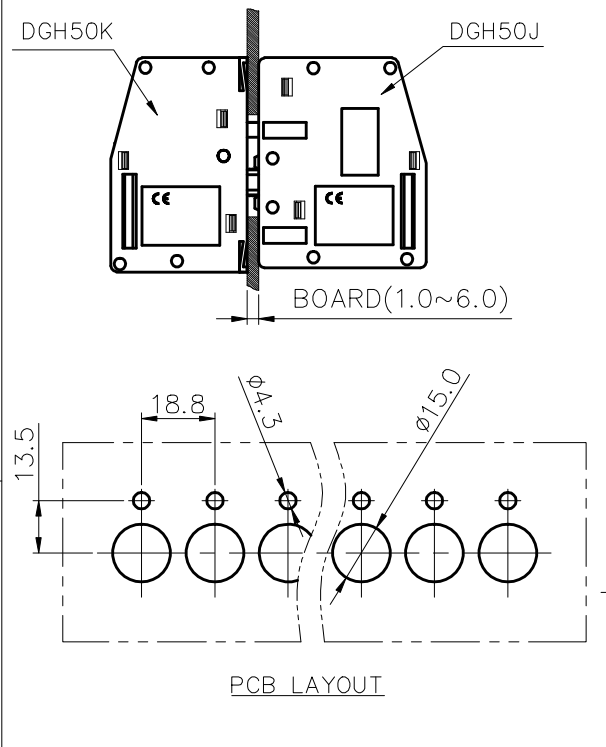
B

C

DGH50K-01P-1Y-00A(H)



D



| | | | |
|--|---------------|----------|----------|
| UL 标准/UL Standard: | B | C | D |
| 额定电压/电流/Rated Voltage(V)/Current(A) | 600/170 | 600/170 | 600/5 |
| IEC 标准/IEC Standard: | | | |
| 过压类别/Overvoltage Category/污染等级/Pollution Degree | III/3 | III/2 | II/2 |
| 额定电压/电流/Rated Voltage(V)/Current(A) | 690/150 | 1000/150 | 1000/150 |
| 额定脉冲电压(kV)/Rate Impulse Voltage(kV) | 8 | 8 | 8 |
| 螺丝扭矩/Torque Tightening(N·m/Lb.in) | M6, 6.0/53.16 | | |
| 线径范围(硬线和软线)/Wire Range(rigid and flexible)(mm ² /AWG) | 16~50/6~2/0 | | |
| 间距/Pitch(mm)/线数范围/Poles | 18.80/N=01P | | |
| 剥线长度/Stripping length(mm) | 24~25 | | |
| 使用温度范围/Operating temperature(°C) | -40~+105 | | |
| 符合RoHS环保要求/Conform to RoHS | Yes | | |

| 7 | Housing 4 | PA66 | UL94V-0 |
|------|-----------------|--------------|--------------|
| 6 | Housing 3 | PA66 | UL94V-0 |
| 5 | Current carrier | Copper alloy | Sn Plated |
| 4 | Cage | SPCC | M6/Zn Plated |
| 3 | Screw | Steel | M6/Zn Plated |
| 2 | Housing 2 | PA66 | UL94V-0 |
| 1 | Housing 1 | PA66 | UL94V-0 |
| ITEM | NAME OF PART | MATERIAL | NOTES |

| REV | ECN | DESCRIPTION | DRFT | DATE |
|-----|-----|-------------|------|------|
| | | | | |

| | | | |
|-----------------------|---|------------|-----------|
| MATERIAL: / | SURFACE: / | | |
| MAT NO.: / | 宁波高松电子有限公司 NINGBO DEGSON ELECTRICAL CO., LTD | | |
| STATUS: / | | | |
| APPD: | NAME: DGH50-01P-1Y-00A(H) | | |
| CHKD: | DRAWING NO.: DGH50-C01 | | |
| DRFT: Nick 2015/10/27 | REV | T0 | |
| ④ SIZE: A4 | TYPE: CUSTOMER DRAWING | SCALE: 2:1 | SHEET 1/1 |