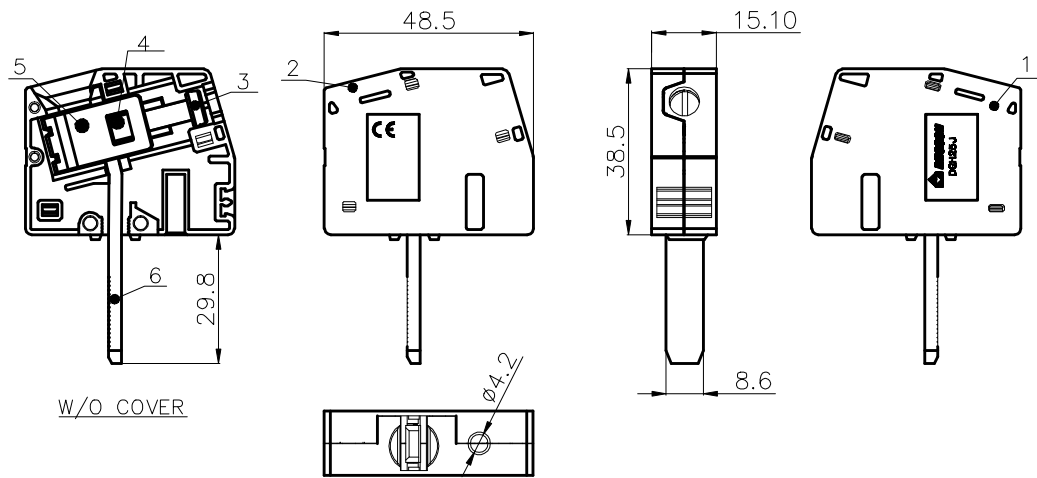
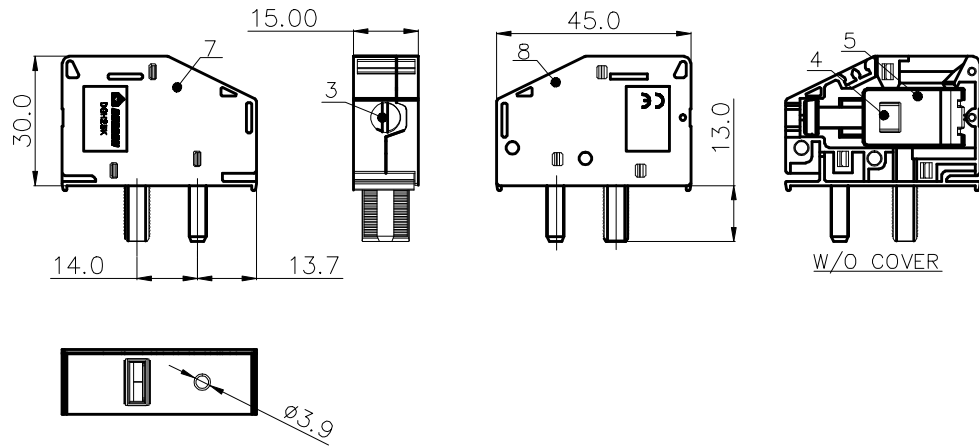


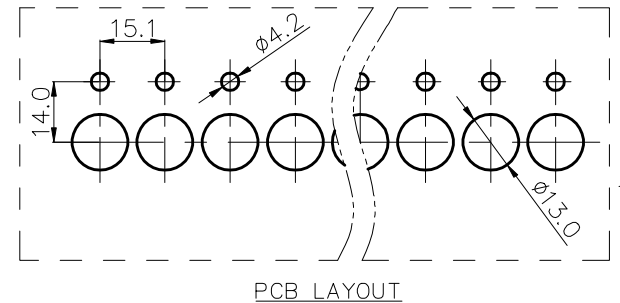
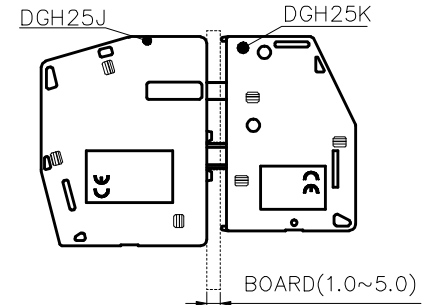
DGH25J-01P-1Y-00A(H)



DGH25K-01P-1Y-00A(H)



未注公差/General tolerances(mm)											D 0.1/10		
0	>3	>6	>10	>18	>30	>50	>80	>120	>180	>250		>315	>400
~3	~6	~10	~18	~30	~50	~80	~120	~180	~250	~315	~400	~500	~500
±0.12	±0.18	±0.22	±0.26	±0.31	±0.37	±0.57	±0.80	±0.93	±1.05	±1.15	±1.60	±2.20	±2.50



UL 标准/UL Standard:	B	C	D
额定电压/电流/Rated Voltage(V)/Current(A)	600/115	600/115	600/5
IEC 标准/IEC Standard:			
过压类别/Overvoltage Category/污染等级/Pollution Degree	III/3	III/2	II/2
额定电压/电流/Rated Voltage(V)/Current(A)	500/101	/	/
额定脉冲电压(KV)/Rate Impulse Voltage(KV)	6	/	/
螺丝扭矩/Torque Tightening(N·m/Lb.in)	M5, 4.0/35.44		
线径范围(硬线和软线)/Wire Range(rigid and flexible)(mm <sup>2</sup> /AWG)	6~35(sol), 10~25(str)/8~2		
间距/Pitch(mm)/线数范围/Poles	15.10/N=01P		
剥线长度/Stripping length(mm)	19		
使用温度范围/Operating temperature(°C)	-40~+105		
符合RoHS环保要求/Conform to RoHS	Yes		

8	Housing-K-1	PA66	UL94V-0
7	Housing-K-2	PA66	UL94V-0
6	Current carrier	Copper	Sn Plated
5	Cage	Spcc	Zn Plated
4	Cage	Copper alloy	Ni Plated
3	Screw	Steel	Zn Plated
2	Housing-J-1	PA66	UL94V-0
1	Housing-J-2	PA66	UL94V-0
ITEM	NAME OF PART	MATERIAL	NOTES

REV	ECN	DESCRIPTION	DRFT	DATE

MATERIAL: /	SURFACE: /		
MAT NO.: /	<b>宁波高松电子有限公司</b> <b>NINGBO DEGSON ELECTRICAL CO., LTD</b>		
STATUS: /			
APPD:	NAME: <b>DGH25-01P-1Y-00A(H)</b>		
CHKD:	DRAWING NO.: DGH25-C01		
DRFT: Nick 2015.10.22	REV	T0	
SIZE: A4                  TYPE: CUSTOMER DRAWING         SCALE: 2:1         SHEET 1/1			