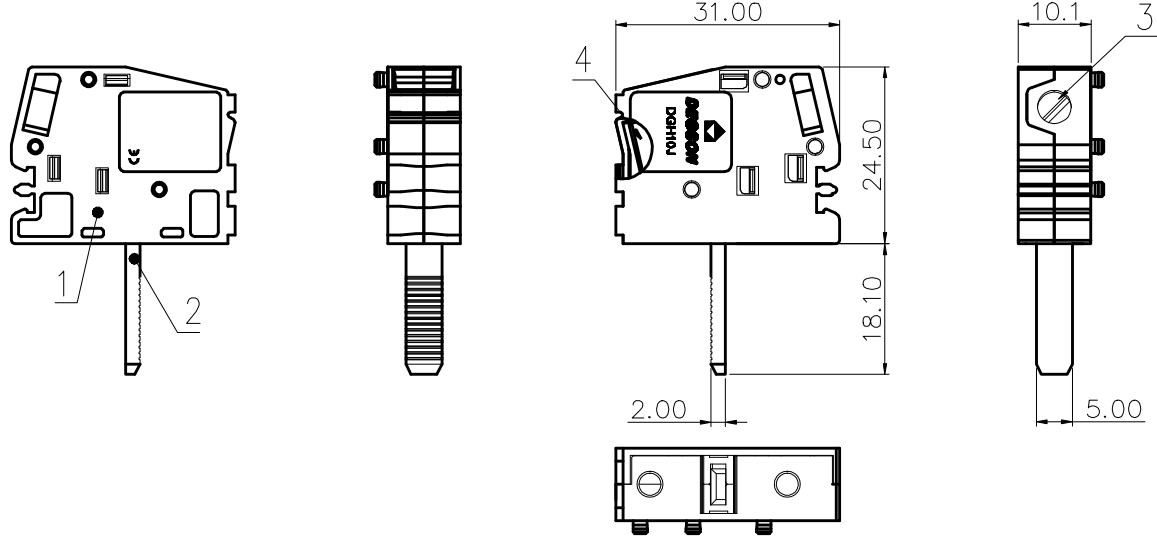


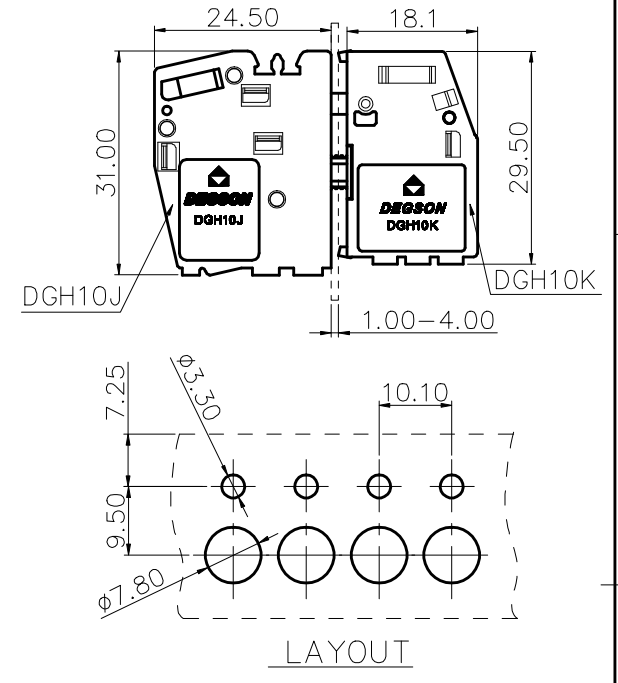
DGH10J-01P-1Y-01A(H)

未注公差/General tolerances(mm)											D 0.1/10		
0	>3	>6	>10	>18	>30	>50	>80	>120	>180	>250		>315	>400
~3	~6	~10	~18	~30	~50	~80	~120	~180	~250	~315	~400	~500	~2.50
±0.12	±0.18	±0.22	±0.26	±0.31	±0.37	±0.57	±0.80	±0.93	±1.05	±1.15	±1.60	±2.20	±2.50

A



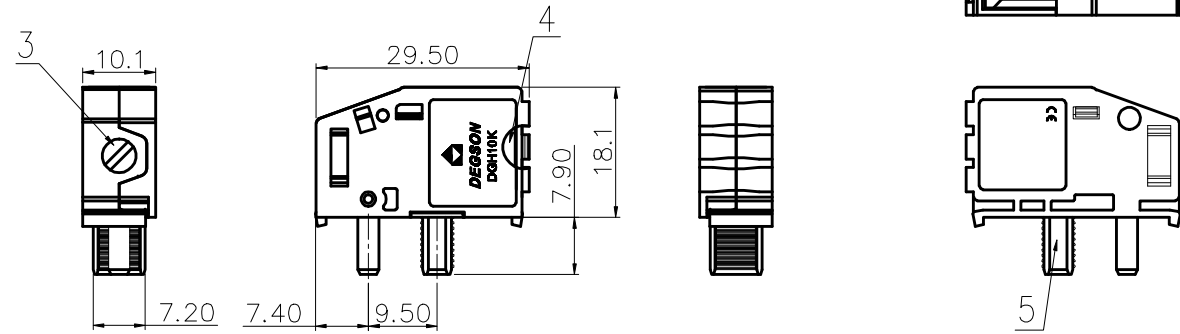
B



A

B

DGH10K-01P-1Y-00A(H)



C

UL 标准/UL Standard:	B	C	D
额定电压/电压/Rated Voltage(V)/Current(A)	300/65	/	300/10
IEC 标准/IEC Standard:			
过压类别/Overvoltage Category/污染等级/Pollution Degree	III/3	III/2	II/2
额定电压/电压/Rated Voltage(V)/Current(A)	500/76	/	/
额定脉冲电压(kV)/Rate Impulse Voltage(kV)	8	/	/
螺丝扭矩/Torque Tightening(N·m/Lb.in)	M4, 1.2/10.53		
线径范围(硬线和软线)/Wire Range(rigid and flexible)(mm ² /AWG)	0.5~16/24~6		
间距/Pitch(mm)/线数范围/Poles	10.1/01P		
剥线长度/Stripping length(mm)	10		
使用温度范围/Operating temperature(°C)	-40~+105		
符合RoHS环保要求/Conform to RoHS	Yes		

C

D

5	Housing-K	PA66	UL94V-0
4	Cage	Copper alloy	M4/Ni Plated
3	Screw	Steel	M4/Zn Plated
2	Current Carrier	Copper	Sn Plated
1	Housing-J	PA66	UL94V-0
ITEM	NAME OF PART	MATERIAL	NOTES

REV	ECN	DESCRIPTION	DRFT	DATE

MATERIAL: /	SURFACE: /		
MAT NO.: /	宁波高松电子有限公司 NINGBO DEGSON ELECTRICAL CO., LTD		
STATUS: /			
APPD:	NAME: DGH10-01P-1Y-00A(H)		
CHKD:	DRAWING NO.: DGH10-C01		
DRFT: Apple 2015.01.06	REV	T0	
SIZE: A4 TYPE: CUSTOMER DRAWING SCALE: 2:1 SHEET 1/1			

D