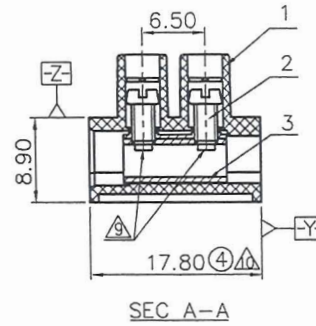
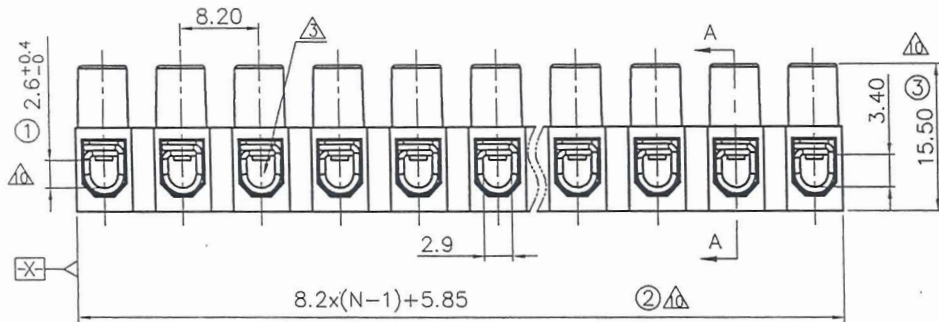
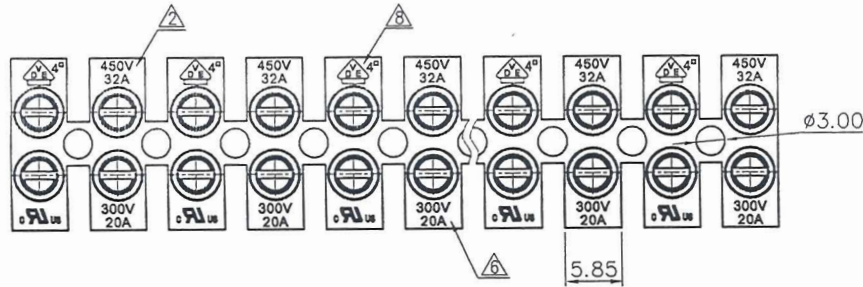


REVISION RECORD

REV	ECN	DESCRIPTION	DRFT	DATE
△1		8HS螺丝变更为8H螺丝	LIN	05/13/08"
△2		VDE额定电流由24A改为32A	Zengy	06/16/08"
△3		工程变更, 去掉挡板	Zengy	07/21/08"
△4		品名中加上塑件底高"1.2"	Zengy	09/03/08"
△5		修改品名中"10A"为"100A"	LJH	11/06/08"
△6		修改参数及刻字	LJH	02/12/09"
△7		结构变更	hyq	06/03/09"
△8		增加线径刻字	HYQ	08/03/09"
△9	14-0025	依实物修改图纸	ZDZ	01/10/14"
△10	15-0543	增加重点管控尺寸, 修改公差表	ZHQ	12/01/15"



△备注一:

UL 标准

1. 额定电压与电流: 300V / 20A
2. 螺丝扭力: M2.5, 3.54Lb.in
3. 线径范围: 20~12AWG

IEC 标准

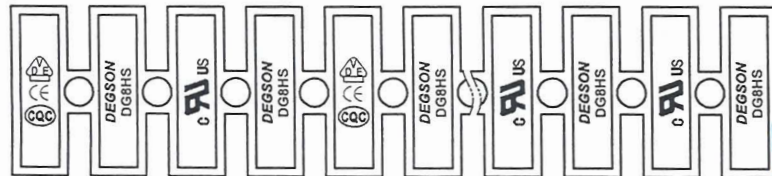
1. 额定电压与电流: 450V / 32A
2. 螺丝扭力: M2.5, 0.4N.m
3. 线径范围: 0.5~4.0mm²

备注二:

1. 尺寸标注符合标准 ASME Y14.5-2009
2. P距: 8.2mm, P数范围: N=02~12P
3. 剥线长度: 9mm
4. 工频耐压: AC2000V/1Min.
5. 使用温度范围: -40°C~+105°C
6. "⊗" 为重点管控尺寸
7. 未注公差表:

P距方向公差(mm)			其他尺寸公差(mm)				- / 0 / +	
≤6	6 ~ 10	10 ~ 24	≤30	30 ~ 60	60 ~ 100	100 ~ 150	>150	0.05/10
±0.10			±0.15	±0.25	±0.20	±0.30	±0.50	±0.70
			±1.00					±1'

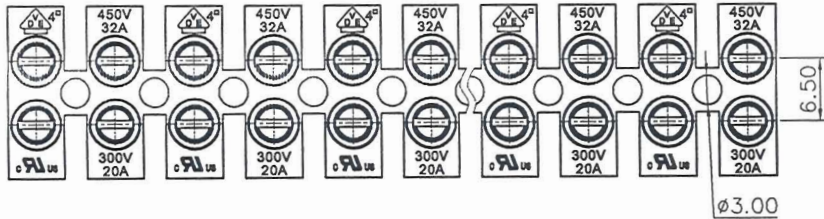
8. 须符合RoHS环保要求



2016.3.28
仅限内部使用, 对外无效

3	DG8HS-钢载流体	X000002140(H)	N	钢	镀锌
2	DG8H"-M2.5-螺丝	S000001110(H)	2N	钢	镀锌
1	DG8HS-0-塑件	2022AYYXXA(H)	1	PA66	UL94V-2
ITEM	NAME OF PART	NO. OF PART	Q"TY	MATERIAL	NOTES
PART NO.: /		宁波高松电子有限公司 NINGBO DEGSON ELECTRICAL CO., LTD			
APPD: Axon 1/14/16		NAME: DG8HS-1.2-XXP-1Y-100A(H)			
CHKD: Xhm 1/13/14		TITLE: ASSEMBLY DRAWING			
DRFT: ZDZ 01/10/14"		REV: T10		SHEET: 1/1	
THIRD ANGLE PROJECTION		DRAWING NO.: DG8HS-E06		DO NOT SCALE DRAWING	
		SCALE: 1:1			

REVISION RECORD				
REV	ECN	DESCRIPTION	DRFT	DATE



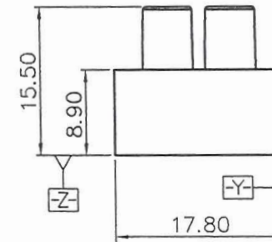
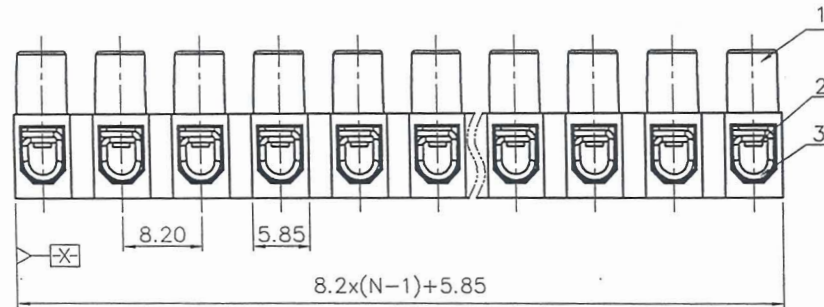
NOTES1:

UL Standard

- 1.Rated Voltage/Current : 300V / 20A
- 2.Torque Value : M2.5 , 3.54Lb.in
- 3.Wire Range : 20~12AWG

IEC Standard

- 1.Rated Voltage/Current : 450V / 32A
- 2.Torque Value : M2.5 , 0.4N.m
- 3.Wire Range : 0.5~4.0mm²

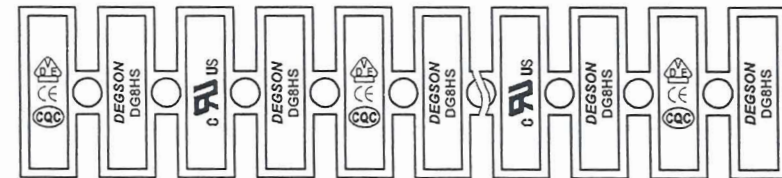


NOTES2:

- 1.Dimension shall be interpreted per ASME Y14.5-2009
- 2.Pitch : 8.2mm, Poles : N=02~12P
- 3.Stripping length : 9mm
- 4.Withstanding Voltage : AC2000V/1Min.
- 5.Operating temperature: -40°C~+105°C
- 6.Undimensioned Tolerances:

Pitch Range In mm	Nominal Dimension Range In mm				-	∩	∇
To 6	Over 6 TO 10	Over 10 TO 24	Over 30 TO 60	Over 60 TO 100	Over 100 TO 150	Over 150	0.1/10
±0.15	±0.20	±0.30	±0.30	±0.50	±0.70	±1.00	±2'

7.RoHS Compliance



ITEM	NAME OF PART	MATERIAL	NOTES
3	CURRENT CARRIER	STEEL	Zn Plated
2	SCREWS	STEEL	Zn Plated
1	HOUSING	PA66	UL94V-2

PART NO.:	/		
APPD:	Aston 1/14/16		
CHKD:	Xm 1/17/16		
DRFT:	ZHQ 12/01/15		
DETACHED LISTS	NAME:		宁波高松电子有限公司
	NAME:		DEGSON [®] NINGBO DEGSON ELECTRICAL CO., LTD
	TITLE:		CUSTOMER DRAWING
	REV	TO	
DRAWING NO.:		DG8HS-C06	SHEET 1/1
MM (INCH)		DO NOT SCALE DRAWING	SCALE 1:1

