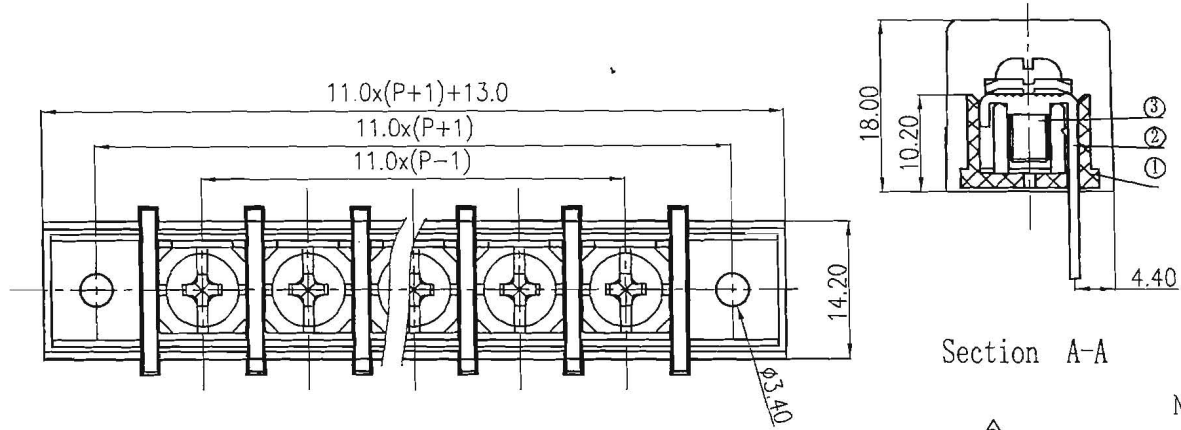
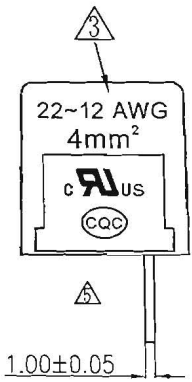
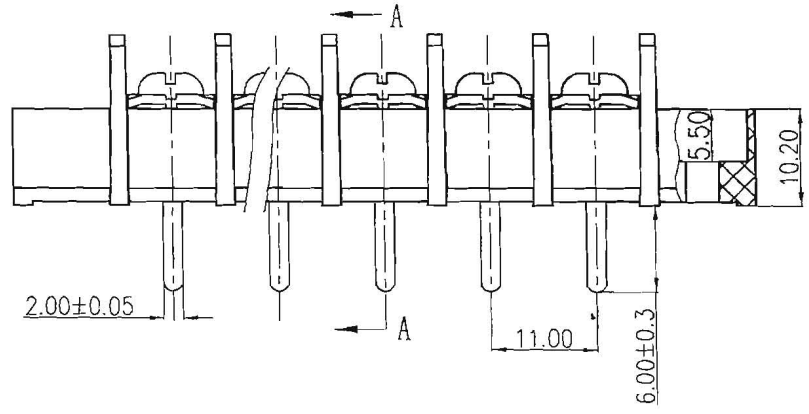
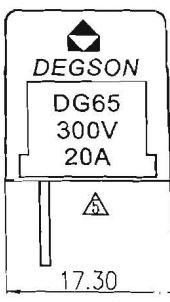


REVISION RECORD				
REV	ECO	DESCRIPTION	DRFT	DATE
△		图面更新	HW	06/05/06
△		增加机刻字	CSX	11/23/06
△		品名、料号增加环保标识“00”	Ye.j	12/08/07
△		图面更新	Huangxc	11/17/12

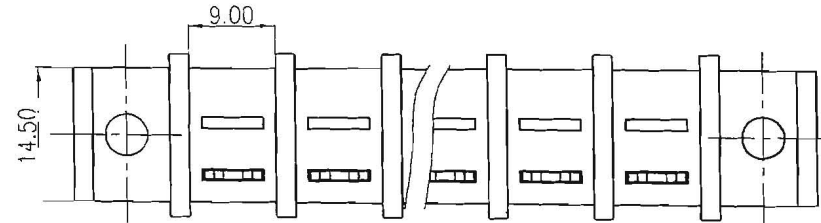


Notes:

1. Pitch: 11.0mm Pole: 2~20P
2. Rated current: 20A
3. Rated voltage: 300V
4. Operation temperatures: -40°C ~ +105°C
5. Withstanding Voltage: AC2000V/1min
6. Insulation Resistance: 500MΩ / DC500V
7. Wire Range: 22~12AWG
8. Max. Torque Value: 12.24kgf. cm.
9. Undimensioned Tolerances:



Pitch range in mm		Nominal dimension range in mm					
to	over	to	over	to	over		
6	6	10	30	60	100	150	∩
to 6	to 10	to 24	to 30	to 60	to 100	to 150	□
±0.10	±0.15	±0.25	±0.2	±0.3	±0.5	±0.7	±1.0



3	4*8 big cover and bright Screws	S000000580 (H)	XX	Steel	Ni Plated
2	DG65S Pin header	5005B00100 (H)	XX	Brass	SnCe
1	DG65S-A housing	5005MOYXXA (H)	I	PA66	UL94V-0
ITEM	NAME OF PART	NO. OF PART	Q'TY	MATERIAL	NOTES
TOLERANCES EXCEPT AS NOTED		DFTO Haoyh	DATE 03/03/04	DEGSON 宁波高正电子有限公司 DEGSON ELECTRONICS CO., LTD	
MM (INCH)		CHKD	DATE	NAME	
TOLERANCES EXCEPT AS NOTED		MFO	DATE	DG65S-A-XXP-1Y-00A(H)	
MM		APPL. <i>Handwritten</i>	DATE <i>11/17/12</i>	DRAWING NO. DG65S-E03	
.00 ±		MATERIAL :		/PART NO.	
.000 ±		ANGLES ± 1'		SIZE A3	
THIRD ANGLE PROJECTION		FINISH :		REV T5	
SCALE : 1:1		DO NOT SCALE DRAWING		11/17/12	
SHEET 1			OF 1		