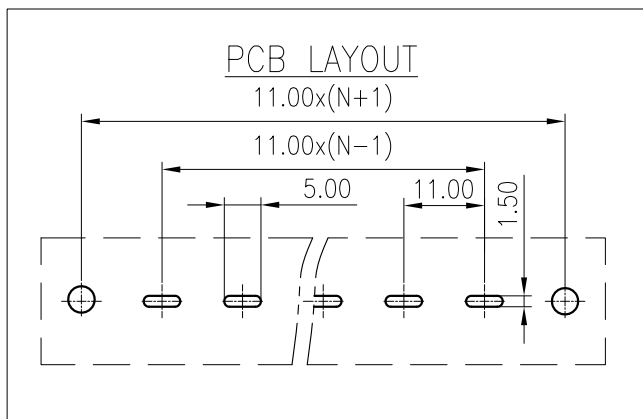
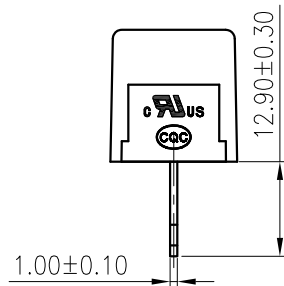
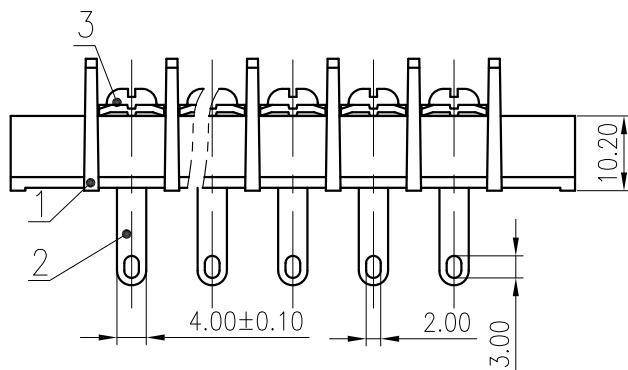
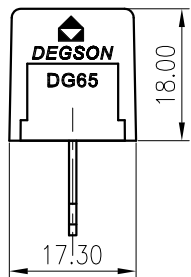
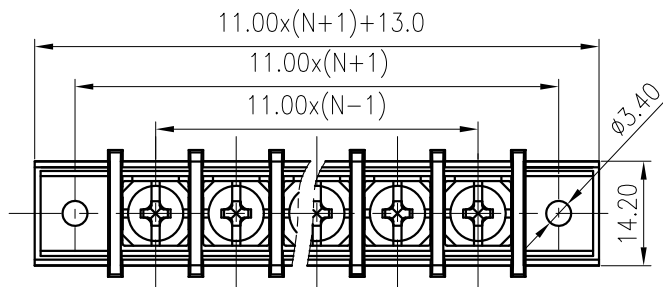


Pitch Range In mm			Nominal Dimension Range In mm						
TO	Over TO	Over TO	TO	Over TO	Over TO	Over TO	Over TO	0.1/10	
6	10	24	30	60	100	150	150		
±0.15	±0.20	±0.30	±0.30	±0.50	±0.70	±1.00	±1.30	±2'	



ITEM	NAME OF PART	MATERIAL	NOTES	
3	Screw	Steel	Ni Plated	
2	Pin header	Copper alloy	Sn Plated	
1	Housing	PA66	UL94V-0	
UL 标准/UL Standard:		B	C	D
额定电压/电流/Rated Voltage(V)/Current(A)		300/30	/	300/10
IEC 标准/IEC Standard:				
过压类别/Overvoltage Category/污染等级/Pollution Degree		III/3	III/2	II/2
额定电压/电流/Rated Voltage(V)/Current(A)		300/32	300/32	600/32
额定脉冲电压(KV)/Rate Impulse Voltage(KV)		4	4	4
螺丝扭矩/Torque Tightening(N·m/Lb.in)		M4, 1.2/10.53		
线径范围(软线)/Wire Range(flexible)(AWG)		22~10		
间距/Pitch(mm)/线数范围/Poles		11.00/N=02~20P		
剥线长度/Stripping length(mm)		12		
使用温度范围/Operating temperature(°C)		-40~+105		
符合RoHS环保要求/Conform to RoHS		Yes		

MATERIAL: /	SURFACE: /			
MAT NO.: /	宁波高松电子有限公司 NINGBO DEGSON ELECTRICAL CO., LTD			
STATUS: /				
APPD:	NAME: DG65H-A-XXP-1Y-00A(H)			
CHKD:				
DRFT: Wu NK 2020.05.29	DRAWING NO.: DG65H-C03	REV	TO	
REV	ECN	DESCRIPTION	DRFT	DATE
⊕	SIZE: A4	mm (inch)	TYPE: CUSTOMER DRAWING	SCALE: 1:1
			SHEET	1/1