

REVISION RECORD

REV	ECN	DESCRIPTION	DRFT	DATE
△		图画更新	HW	06/08/06"
△		增加UL刻字	CSX	11/23/06"
△		品名、料号增加环保标识“(H)”	YeJ	12/08/07"
△	15-0550	修改长度尺寸标注, 修改工频耐压, 增加PCB Layout, 增加外部成品图	Nick	12/08/15"

备注一:

UL 标准

1. 额定电压与电流: 300V / 20A
2. 螺丝扭力: M4, 10.53Lb.in
3. 线径范围: 22~12AWG

备注二:

1. 尺寸标注符合标准 ASME Y14.5-2009
2. P距: 11.0mm, P数范围: N=02~22P
- △ 3. 工频耐压: AC1600V/1Min.
4. 使用温度范围: -40°C~+105°C
5. "⊗" 为重点管控尺寸
6. 未注公差表:

P距方向公差(mm)		其他尺寸公差(mm)				—	—	—	—
≤6	6 ~ 10	10 ~ 24	≤30	30 ~ 60	60 ~ 100	100 ~ 150	>150	0.05/10	—
±0.10		±0.15	±0.25	±0.20	±0.30	±0.50	±0.70	±1.00	±1°

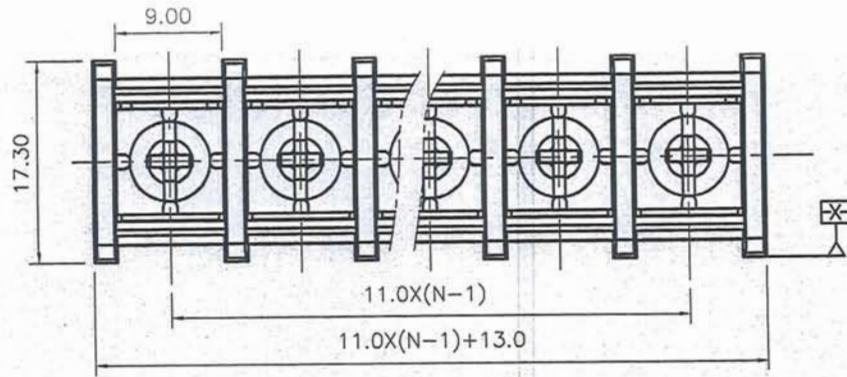
7. 须符合RoHS环保要求



3	M4*8(9*9)+字螺丝	S000000580(H)	N	钢	镀锌
2	DG65C焊脚	5005B00010(H)	N	黄铜	镀锡
1	DG65塑体	5005AYYXXA(H)	1	PA66	UL94V-0
ITEM	NAME OF PART	NO. OF PART	Q"TY	MATERIAL	NOTES

PART NO.: /		宁波高松电子有限公司 <b>DEGSON</b> ® NINGBO DEGSON ELECTRICAL CO., LTD			
APPD: Anon 12/11-15	NAME: DG65C-B-XXP-1Y-00A(H) △				
CHKD: Dicky 2015.12.9	TITLE: ASSEMBLY DRAWING				
DRFT: Haoyh 06/20/05"	DRAWING NO.: DG65C-E08		REV	T5	
THIRD ANGLE PROJECTION		DRAWING NO.: DG65C-E08	SHEET	1/1	
		MM (INCH)	DO NOT SCALE DRAWING	SCALE	1:1

REVISION RECORD				
REV	ECN	DESCRIPTION	DRFT	DATE

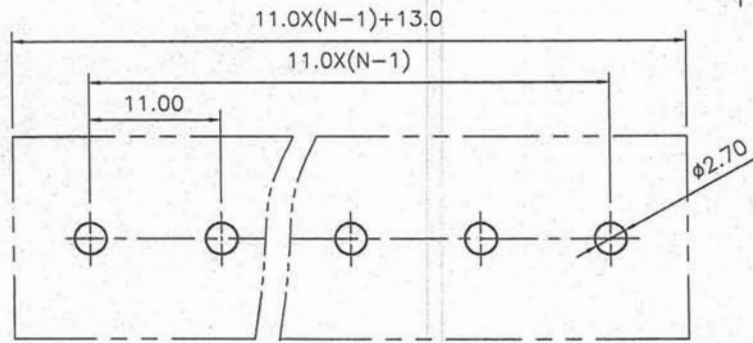
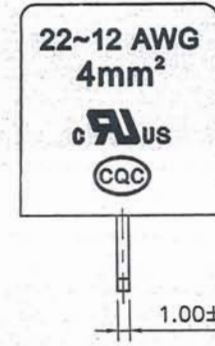
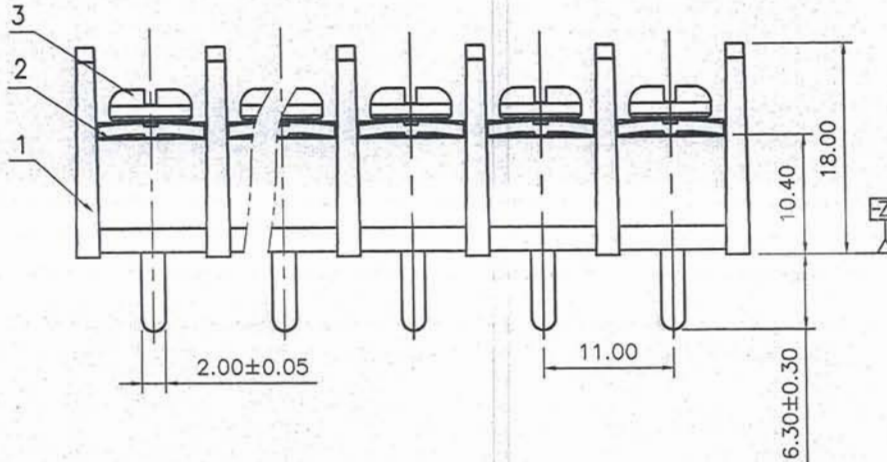


NOTES1:  
 UL Standard  
 1. Rated Voltage/Current : 300V / 20A  
 2. Torque Value : M4 , 10.53Lb.in  
 3. Wire Range : 22~12AWG

NOTES2:  
 1. Dimension shall be interpreted per ASME Y14.5-2009  
 2. Pitch : 11.0mm, Poles : N=02~22P  
 3. Withstanding Voltage : AC1600V/1Min.  
 4. Operating temperature: -40°C~+105°C  
 5. Undimensioned Tolerances:

Pitch Range In mm	Nominal Dimension Range In mm					0.1/10		
	Over 6 TO 10	Over 10 TO 24	Over 30 TO 60	Over 60 TO 100	Over 100 TO 150			
±0.15	±0.20	±0.30	±0.30	±0.50	±0.70	±1.00	±1.30	±2'

6. RoHS Compliance



PCB LAYOUT

ITEM	NAME OF PART	MATERIAL	NOTES
3	SCREW	STEEL	M4/Sn PLATED
2	PIN HEADER	COPPER ALLOY	Sn PLATED
1	HOUSING	PA66	UL94V-0

PART NO.: /

APPD: Aaron 12/15/15

CHKD: Tracy 2016.12.9

DRFT: Nick 12/07/15"

DEGSON® NINGBO DEGSON ELECTRICAL CO., LTD

NAME: DG65C-B-XXP-1Y-00A(H)

TITLE: CUSTOMER DRAWING

DRAWING NO.: DG65C-C08

DO NOT SCALE DRAWING

REV: J TO

SHEET: 1/1

SCALE: 1:1

THIRD ANGLE PROJECTION

REV	J TO
SHEET	1/1
SCALE	1:1