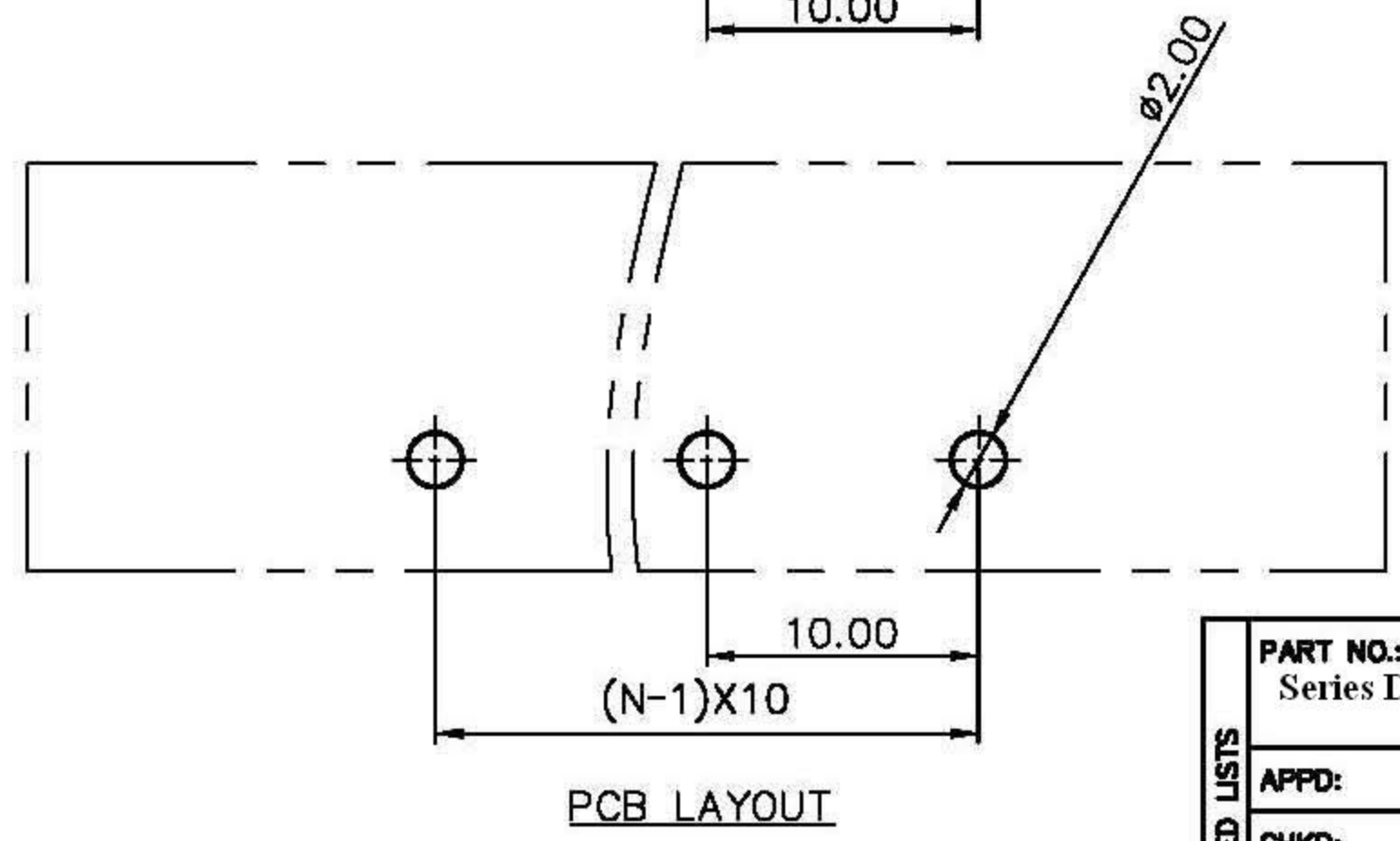
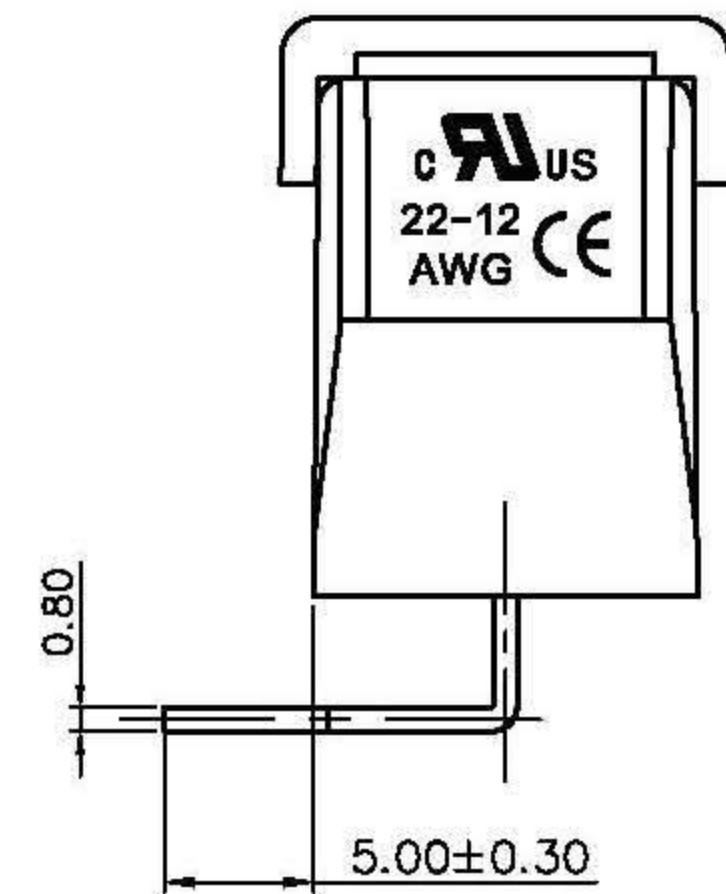
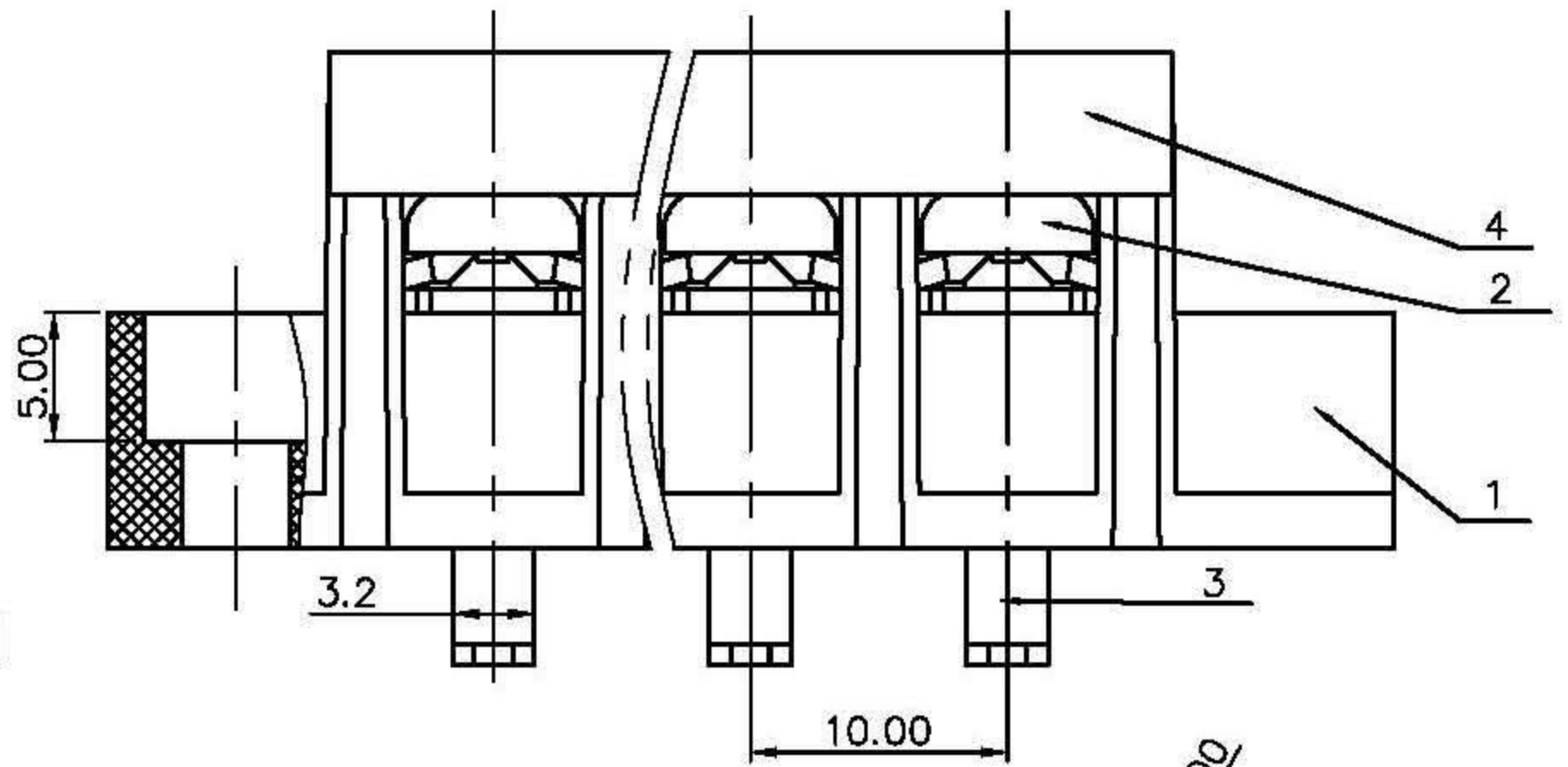
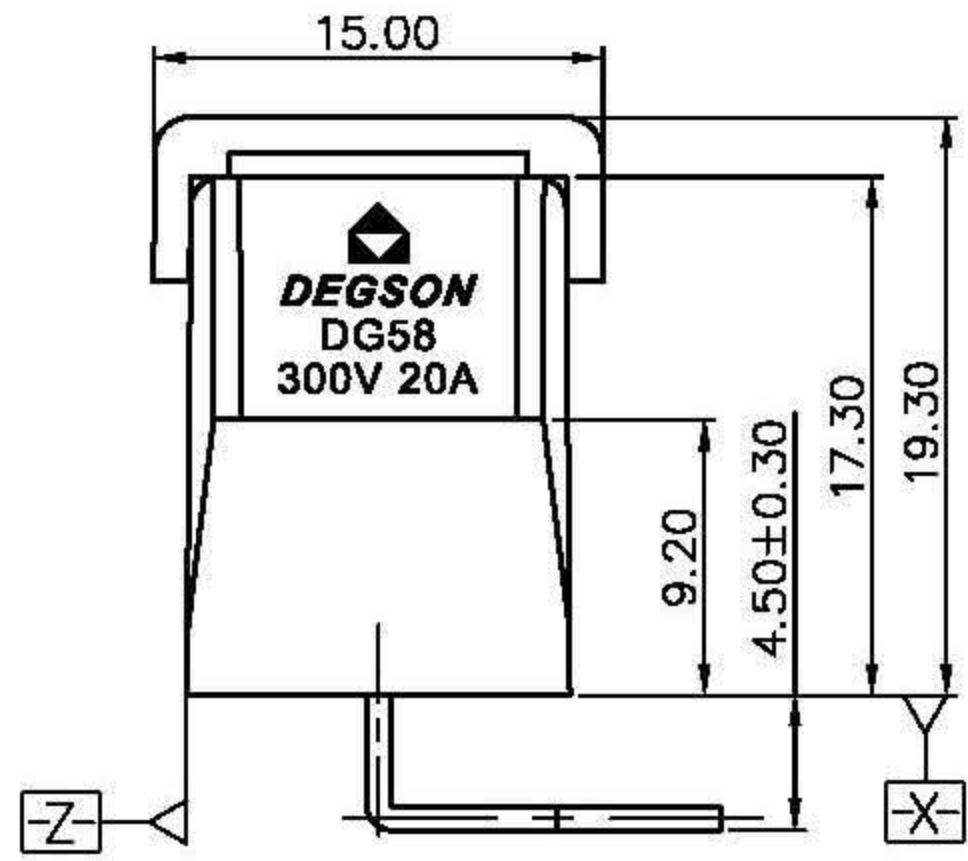
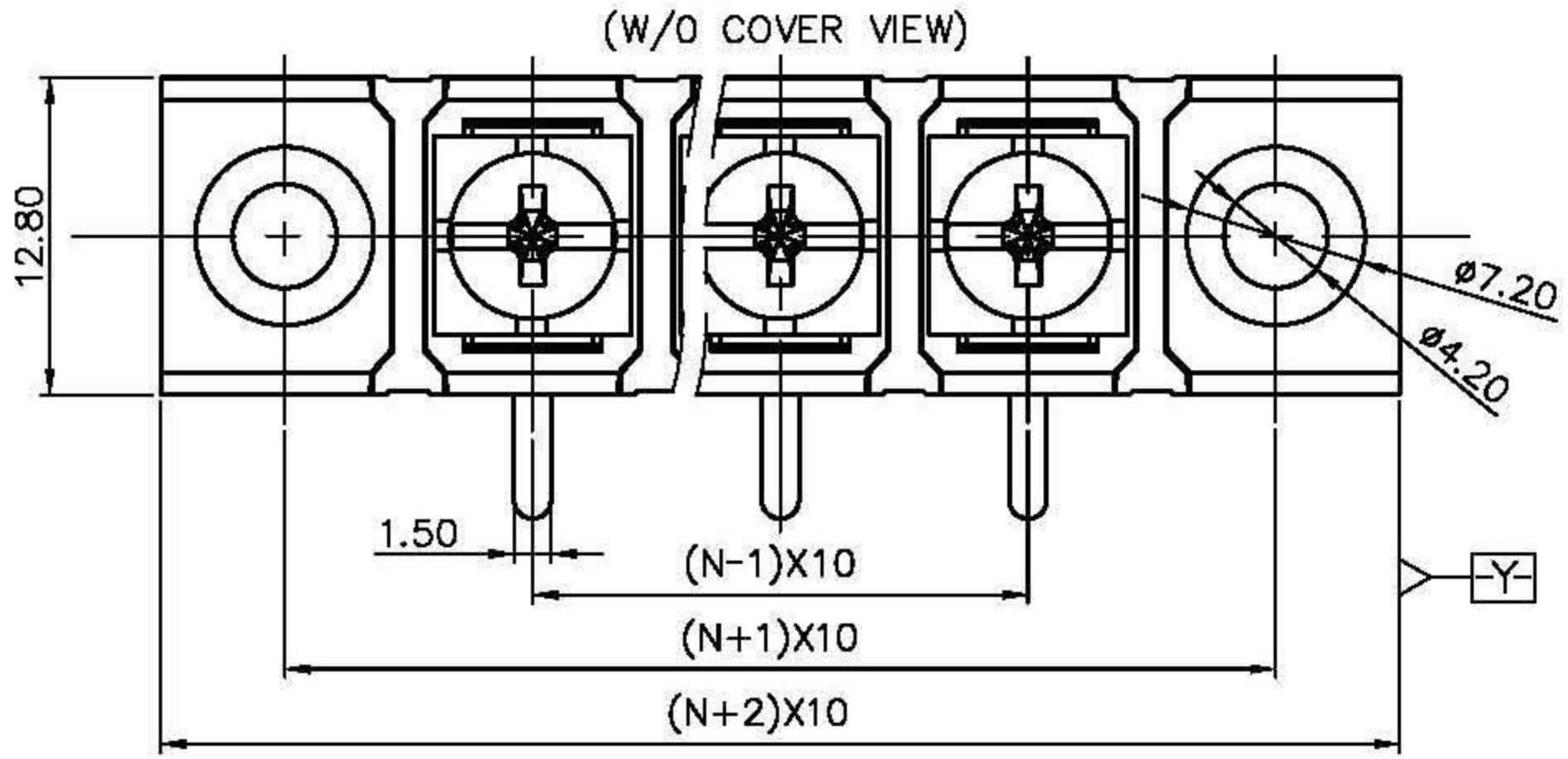


REVISION RECORD				
REV	ECN	DESCRIPTION	DRFT	DATE



ITEM	NAME OF PART	MATERIAL	NOTES
4	Cover	PC	UL94V-2
3	Pin header	COPPER ALLOY	Sn plated
2	Screws	STEEL	Ni plated
1	Housing	PA66	UL94V-0

NOTES1:
 UL Standard
 1.Rated Voltage/Current : 300V / 20A
 2.Torque Value : M4 , 10.53Lb.in
 3.Wire Range : 22~12AWG

NOTES2:
 1.Dimension shall be interpreted per ASME Y14.5-2009
 2.Pitch : 10mm, Poles : N=2~20P
 3.Withstanding Voltage : AC1600V/1Min.
 4.Operating temperature: -40°C~+105°C
 5.Undimensioned Tolerances:

Pitch Range In mm		Nominal Dimension Range In mm							0.1/10
TO	Over	TO	Over	TO	Over	TO	Over		
6	10	6	10	30	60	100	150	±2'	
10	24	30	60	100	150				
±0.15	±0.20	±0.30	±0.30	±0.50	±0.70	±1.00	±1.30		

6.RoHS Compliance

DETACHED LISTS	PART NO.: Series DG58R-A	宁波高松电子有限公司 Ningbo Degson Electrical Co., Ltd.		
	APPD:	NAME: DG58R-A-XXP-1Y-00A(H)		
	CHKD:	TITLE: CUSTOMER DRAWING		
	DRFT: LDD 01/03/16"	REV	TO	
		DRAWING NO.: DG58R-C01	SHEET	1/1
	MM (INCH)	DO NOT SCALE DRAWING	SCALE	1:1