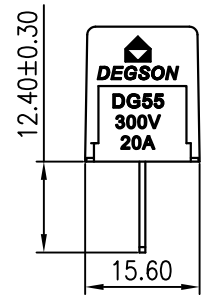
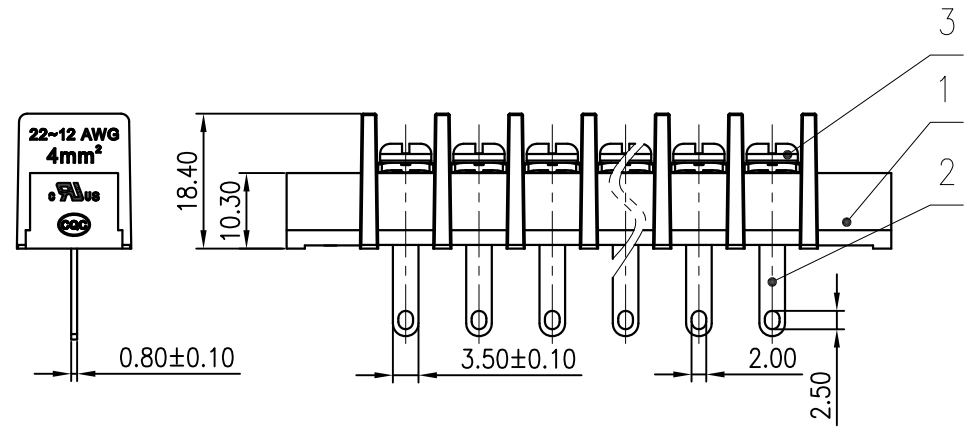
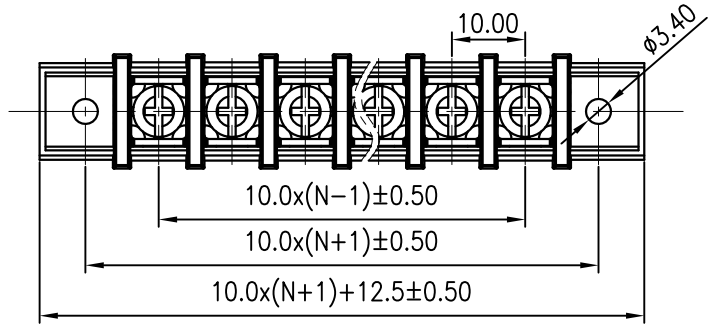
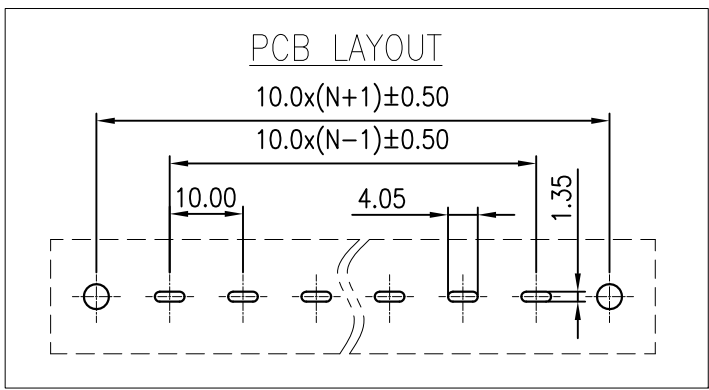


未注公差/General tolerances(mm)											0.1/10		
0	>3	>6	>10	>18	>30	>50	>80	>120	>180	>250		>315	>400
~3	~6	~10	~18	~30	~50	~80	~120	~180	~250	~315	~400	~500	~2.50
±0.12	±0.18	±0.22	±0.26	±0.31	±0.37	±0.57	±0.80	±0.93	±1.05	±1.15	±1.60	±2.20	±2.50



**DG55H-A-XXP-1Y-00AH**  
**DG55H-A - series**  
**XXP - number of Poles (number of Pins)**  
**1 - single-row**  
**Y - color of housing (3 - black color)**  
**00AH - no value**

3	Screw	Steel	Ni Plated
2	Pin header	Copper alloy	Sn Plated
1	Housing	PA66	UL94V-0
ITEM	NAME OF PART	MATERIAL	NOTES



UL 标准/UL Standard:		B	C	D
额定电压/电流/Rated Voltage(V)/Current(A)		300/20	300/20	300/10
IEC 标准/IEC Standard:				
过压类别/Overvoltage Category/污染等级/Pollution Degree		III/3	III/2	II/2
额定电压/电流/Rated Voltage(V)/Current(A)		500/32	600/32	1000/32
额定脉冲电压(KV)/Rate Impulse Voltage(KV)		4	6	6
螺丝扭矩/Torque Tightening(N·m/Lb.in)		M4, 1.2/10.53		
线径范围(软线)/Wire Range (flexible)(AWG)		22~12		
间距/Pitch(mm)/线数范围/Poles		10.00/N=02~24P		
剥线长度/Stripping length(mm)		9		
使用温度范围/Operating temperature(°C)		-40~+105		
符合RoHS环保要求/Conform to RoHS		Yes		

MATERIAL:	/	SURFACE:	/
MAT NO.:	/	宁波高松电子有限公司 NINGBO DEGSON ELECTRICAL CO., LTD	
STATUS:	/		
APPD:	/	NAME: DG55H-A-XXP-1Y-00A(H)	
CHKD:	/	DRAWING NO.: DG55H-C04	
DRFT: Wu NK 2020.5.26		REV	TO
REV	ECN	DESCRIPTION	DRFT DATE
SIZE: A4		TYPE: CUSTOMER DRAWING	SCALE: 1:1 SHEET 1/1

REV	ECN	DESCRIPTION	DRFT	DATE