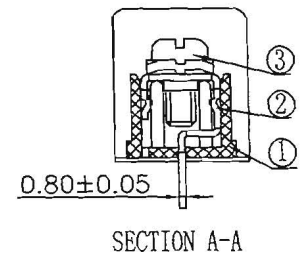
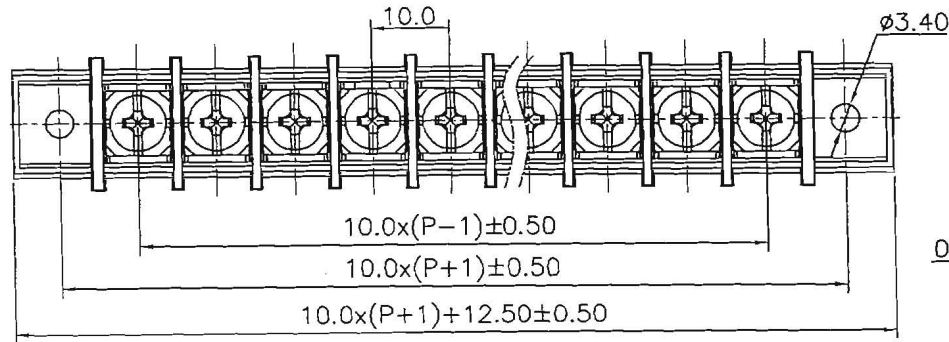
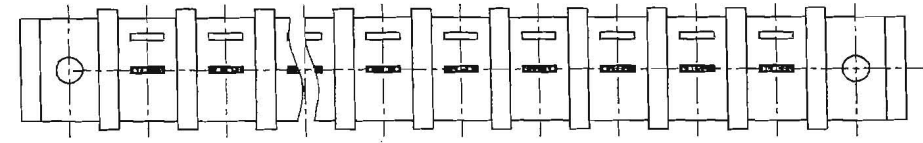
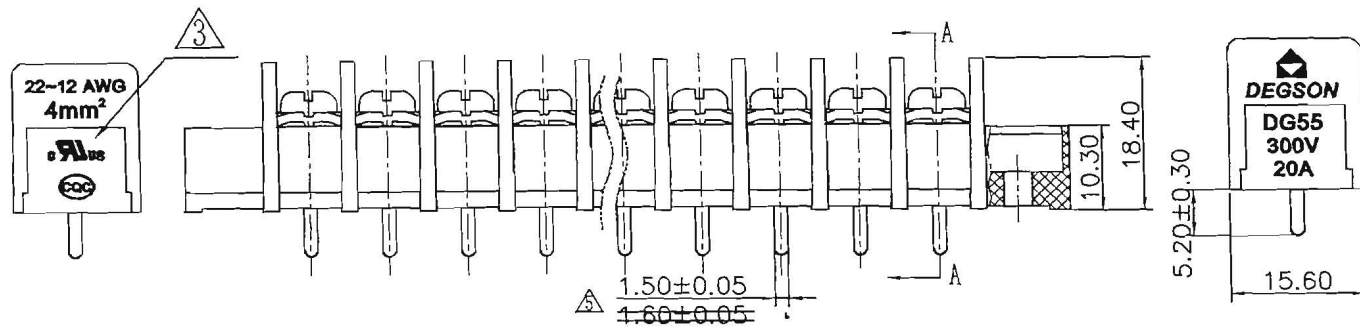


REVISION RECORD				
REV	ECN	DESCRIPTION	DRFT	DATE
△		版面更新	HW	06/09/06
△		增加UL刻字	YeJ	01/29/07
△		品名、料号增加环保标识“00”	YeJ	12/08/07
△	13-0238	根据实物修正图面	Huangxc	11/08/13



- Notes:
1. Pitch: 10.0mm Pole: 2-24P
 2. Rated current: 20A
 3. Rated voltage: 300V
 4. Operation temperatures: -40°C ~ +105°C
 5. Withstanding Voltage: AC2000V/1min
 6. Insulation Resistance: 500MΩ/DC500V
 7. Wire Range: 22~12AWG
 8. Torque Value: 12.24kgf.cm.
 9. Undimensioned Tolerances:

Pitch range in mm		Nominal dimension range in mm							
to	over	to	to	to	to				
6	over 6 to 10	10	over 10 to 24	30	over 30 to 60	over 60 to 100	over 100 to 150	150	∩
±0.10	±0.15	±0.25	±0.2	±0.3	±0.5	±0.7	±1.0	±0.050	□



3	4*8 bright Screws	S000000570(H)	XX	Steel	Ni Plated
2	DG45C Pin header	5003B00010(H)	XX	Brass	Sn Plated

1	DG55C-A Housing	5004MOYXXA (H)	1	PA66	UL94V-0												
ITEM	NAME OF PART	NO. OF PART	Q'TY	MATERIAL	NOTES												
<table border="1"> <tr> <td>MM (INCH)</td> <td>DFTO WSJ</td> <td>DATE 11/03/03"</td> </tr> <tr> <td>TOLERANCES EXCEPT AS NOTED</td> <td>CHKD</td> <td>DATE</td> </tr> <tr> <td></td> <td>MFO</td> <td>DATE</td> </tr> <tr> <td></td> <td>APPV <i>Alan</i></td> <td>DATE 11/11/13</td> </tr> </table>		MM (INCH)	DFTO WSJ	DATE 11/03/03"	TOLERANCES EXCEPT AS NOTED	CHKD	DATE		MFO	DATE		APPV <i>Alan</i>	DATE 11/11/13	宁波高正电子有限公司 DEGSON ELECTRONICS CO., LTD			
MM (INCH)	DFTO WSJ	DATE 11/03/03"															
TOLERANCES EXCEPT AS NOTED	CHKD	DATE															
	MFO	DATE															
	APPV <i>Alan</i>	DATE 11/11/13															
<table border="1"> <tr> <td>MM</td> <td>±</td> </tr> <tr> <td>.0 ±</td> <td>±</td> </tr> <tr> <td>.00 ±</td> <td>±</td> </tr> <tr> <td>.000 ±</td> <td>±</td> </tr> </table>		MM	±	.0 ±	±	.00 ±	±	.000 ±	±	NAME: DG55C-A-XXP-1Y-00A(H)							
MM	±																
.0 ±	±																
.00 ±	±																
.000 ±	±																
<table border="1"> <tr> <td>ANGLES ± 1°</td> <td>G.E :</td> </tr> <tr> <td>THIRD ANGLE PROJECTION</td> <td>FINISH :</td> </tr> <tr> <td></td> <td>SCALE : 1:1</td> </tr> </table>		ANGLES ± 1°	G.E :	THIRD ANGLE PROJECTION	FINISH :		SCALE : 1:1	DRAWING NO. DG55C-E03		SIZE A3	REV T5 11/08/13						
ANGLES ± 1°	G.E :																
THIRD ANGLE PROJECTION	FINISH :																
	SCALE : 1:1																
DO NOT SCALE DRAWING			SHEET 1 OF 1														