

REVISION RECORD				
REV	ECN	DESCRIPTION	DRFT	DATE

NOTES1:

UL Standard

- Rated voltage/current : 300V / 20A
- Withstanding voltage : AC1600V/1Min.
- Torque value : M3 , 4.43Lb.in
- Wire range : 30~12AWG

IEC Standard

1. Pollution degree	2	2	3
Overvoltage category	II	III	III
Rate impulse voltage(KV)	4KV	4KV	4KV
Rate voltage(V)	630V	400V	250V
Rate current(A)	20A		

- Torque value : M3 , 0.5N·m
- Wire range : 0.2~2.5mm²

NOTES2:

- Dimension shall be interpreted per ASME Y14.5-2009
- Pitch : 5.08mm, Poles : N=02~XXP
- Stripping length : 10~11mm
- Operating temperature : -40°C~+105°C
- Undimensioned tolerances:

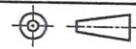
Pitch range in mm		Nominal dimension range in mm				-	∩	∠
Over 6 TO 10	Over 10 TO 24	Over 30 TO 60	Over 60 TO 100	Over 100 TO 150	Over 150	0.1/10	<	2'
±0.15	±0.20	±0.30	±0.50	±0.70	±1.00	±1.30	±2'	

6.RoHS Compliance

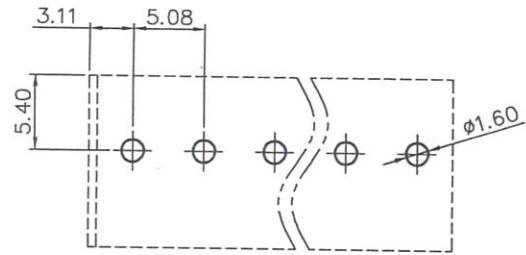
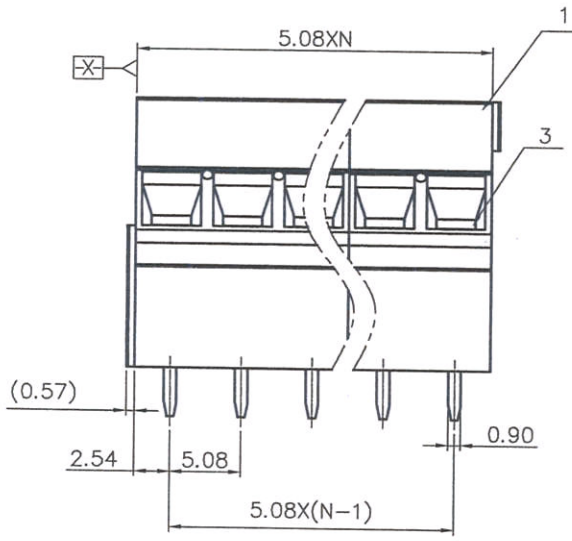
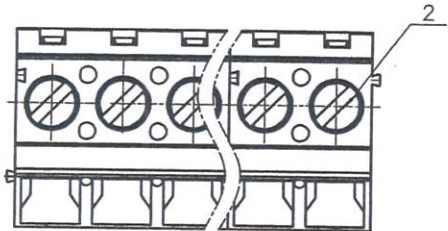
DG504 - 5.08 - XXP - 1Y - 00A (H)
 (Series No.) (Pitch) (Poles) (Single (Color): Pitch) (RoHS)
 00A-(Standard)

- (Grey)
- (Blue)
- (Black)
- (Green)
- (Orange)
- (Red)
- (Transparent)
- (Yellow)
- (White)

2	Screw	Steel	M3/Zn Plated
1	Housing	PA66	UL94V-0
ITEM	NAME OF PART	MATERIAL	NOTES

DETACHED LISTS	PART NO.:	/		
	APPD:	Aaron 2/12/17		
	CHKD:	Amz/1/17		
	DRFT:	GYZ 3/19/15"		
 THIRD ANGLE PROJECTION		宁波高松电子有限公司 NINGBO DEGSON ELECTRICAL CO., LTD NAME: DG504-5.08-XXP-1Y-00A(H) TITLE: CUSTOMER DRAWING		
DRAWING NO.: DG504-5.08-C01		REV	TO	
← MM (INCH) → DO NOT SCALE DRAWING		SHEET	1/1	
		SCALE	1:1	

4	Pin header	Copper alloy	Sn plated
3	Cage	Copper alloy	M3/Ni plated



PCB LAYOUT

