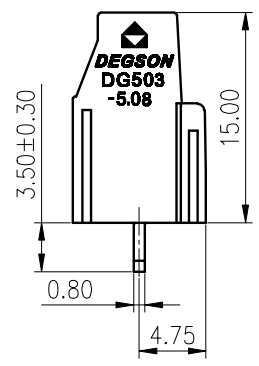
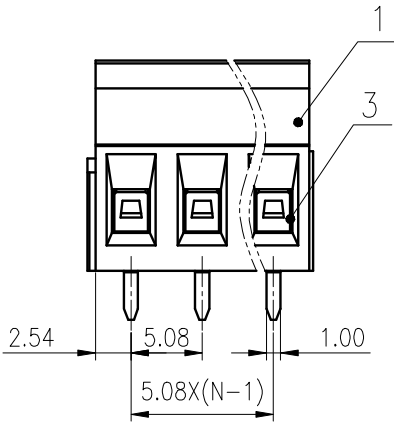
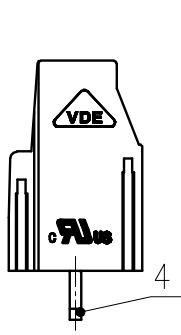
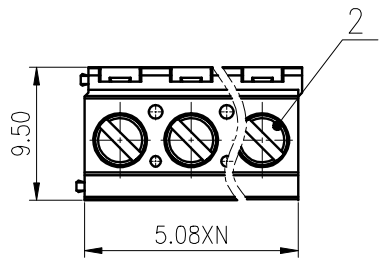


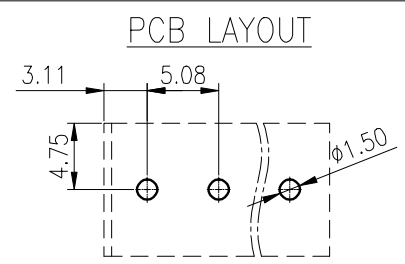
公差/General tolerances(mm)												0.1/10		
0~3	>3~6	>6~10	>10~18	>18~30	>30~50	>50~80	>80~120	>120~180	>180~250	>250~315	>315~400		>400~500	>500
±0.12	±0.18	±0.22	±0.26	±0.31	±0.37	±0.57	±0.80	±0.93	±1.05	±1.15	±1.60	±2.20	±2.50	±2'



DG503-5.08-XXP-1Y-00AH
DG503-5.08 - series
XXP - number of Poles (number of Pins)
1 - single-row
Y - color of housing (4 - green color)
00AH - no value

4	Pin header	Copper	Sn plated
3	Cage	Copper alloy	M3/Ni plated
2	Screw	Steel	M3/Zn plated
1	Housing	PA66	UL94V-0

ITEM	NAME OF PART	MATERIAL	NOTES
UL 标准/UL Standard:			
额定电压/电涌/Rated Voltage(V)/Current(A)		B	C D
		300/20	/ 300/10
IEC 标准/IEC Standard:			
额定电压/电涌/Rated Voltage(V)/Current(A)			450/20
工频耐压/Withstanding voltage(AC KV/1Min)			2.5
螺丝扭矩/Torque Tightening(N·m/Lb.in)			M3, 0.5/4.43
线径范围(硬线和软线)/Wire Range(rigid and flexible)(mm ² /AWG)			0.2~2.5/28~12
间距/Pitch(mm)/线数范围/Poles			5.08/N=02~24P
剥线长度/Stripping length(mm)			6~7
使用温度范围/Operating temperature(°C)			-40~+105
符合RoHS环保要求/Conform to RoHS			Yes



MATERIAL: /	SURFACE: /		
MAT NO.: /	宁波高松电子有限公司 NINGBO DEGSON ELECTRICAL CO., LTD		
STATUS: /			
APPD: LanChH 2020.05.14	NAME: DG503-5.08-XXP-1Y-00A(H)		
CHKD: YuJZ 2020.05.14	DRAWING NO.: DG503-5.08-C01		
DRFT: ChenZh 2020.05.14	REV	TO	
SIZE: A4 TYPE: CUSTOMER DRAWING SCALE: 2:1 SHEET 1/1			

REV	ECN	DESCRIPTION	DRFT	DATE