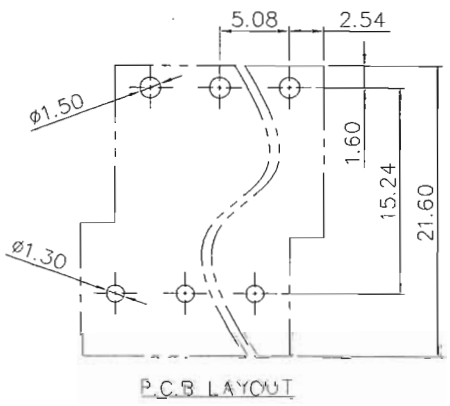
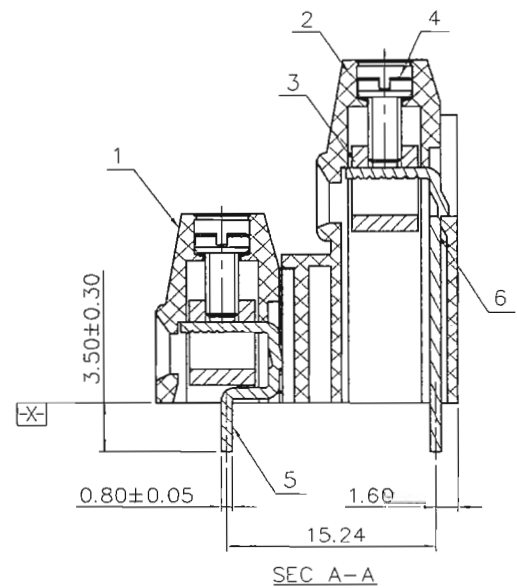
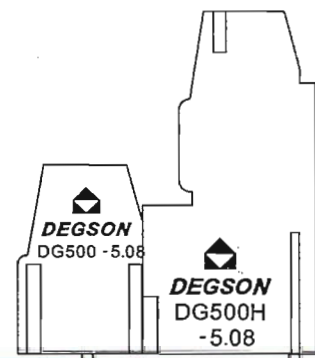
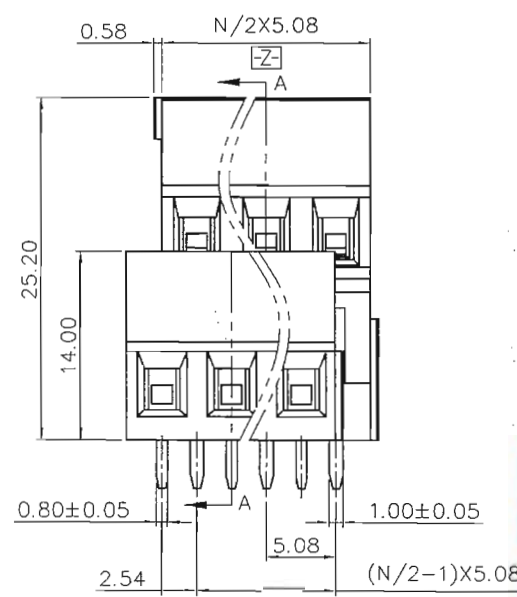
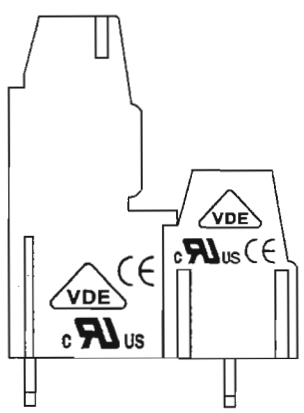
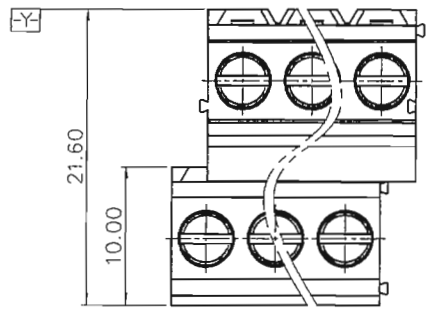


REVISION RECORD

REV	ECN	DESCRIPTION	DRFT	DATE
△		Drawing Revise	Haoyh	03/09/06
△		修改线数:改为每个焊脚代表一线	LJH	03/22/08
△	10-0363	修改技术参数	zxx	10/28/10
△	15-0072	认证参数更新	YJZ	03/04/15

- NOTES:
- 1.DIMENSION SHALL BE INTERPRETED PER ASME Y14.5-2009.
 - 2.PITCH: 5.08MM ,POLES: 4-XXP
 - 3.RATED VOLTAGE/CURRENT: UL 300V/20A △ VDE 250V/18A
 - 4.OPERATION TEMPERATURES: -40℃~+105℃
 - 5.WITHSTANDING VOLTAGE: AC2000V/1MIN.
 - 6.WIRE RANGE: 28~12AWG,1.0~2.5MM²
 - 7.TORQUE VALUE: M2.5,4.08kgf.cm
 - 8.UNDIMENSIONED TOLERANCES:

PITCH RANGE IN MM			NOMINAL DIMENSION RANGE IN MM				-
TO	OVER	OVER	TO	OVER	OVER	OVER	
6	6 TO 10	10 TO 24	30	30 TO 60	60 TO 100	100 TO 150	OVER 150
±0.10	±0.15	±0.25	±0.20	±0.30	±0.50	±0.70	±1.00,0.05/10



文管中心
研发专用
2015.03.23
(仅限内部使用)

ITEM	NAME OF PART	NO. OF PART	Q'TY	MATERIAL	NOTES
△ 6	DG500H-Pin Header	4038B00010(H)	XX/2	Brass	Sn Plated
△ 5	DG128-Pin Header	4027B00010(H)	XX/2	Brass	Sn Plated
△ 4	DG128-Screw	S000001460(H)	XX	Steel	Zn Plated
△ 3	DG128 Brass Cage	X000000020(H)	XX	Brass	Ni Plated
△ 2	DGDG500H-5.08-Housing	4038AYY(XX/2)A(H)	1	PA66	UL94V-0
△ 1	DG500-5.08-Housing	4036AYY(XX/2)A(H)	1	PA66	UL94V-0

DETACHED LISTS TOLERANCES EXCEPT AS NOTED .X ± .X' ± .XX ± .XX' ± .XXX ± .XXX' ±		MATERIAL: FINISH: PART NO.:		NAME: DG500B-5.08-XXP-1Y-00A(H)	
ANGLES ± 1° 		APPD: <i>Avon 3/11/15</i> CHKD: <i>Leh 3/11/15</i> DRFT: tongxc 03/25/04		TITLE: ASSEMBLY DRAWING DRAWING NO.: DG500B-5.08-EG1 DO NOT SCALE DRAWING SCALE: N/A	
				REV	T4
				SHEET	1/1