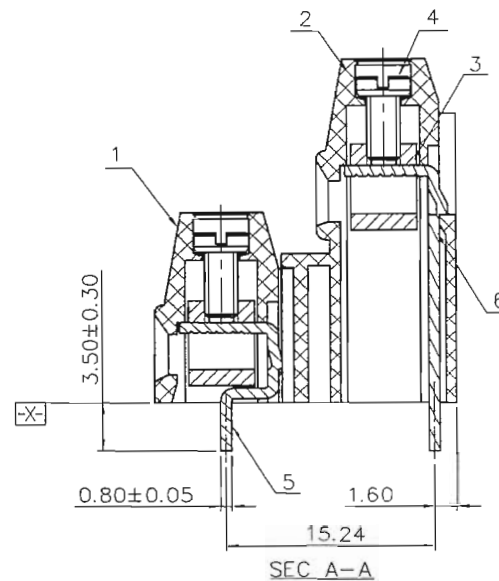
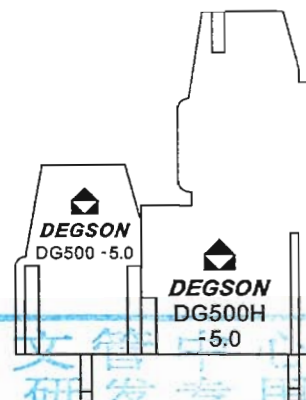
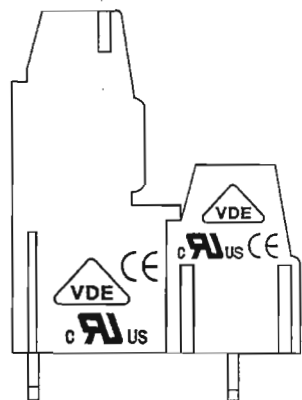
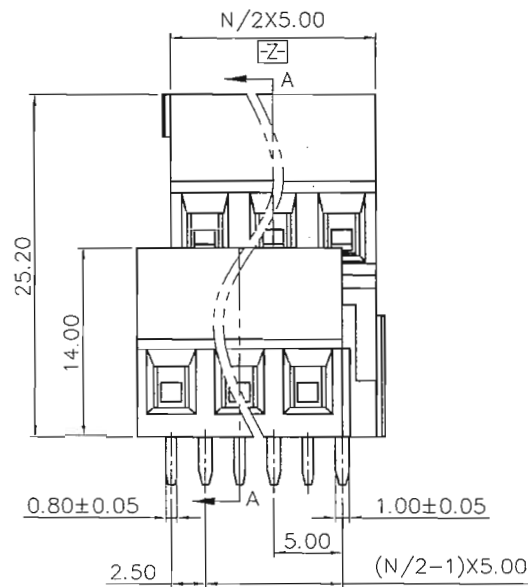
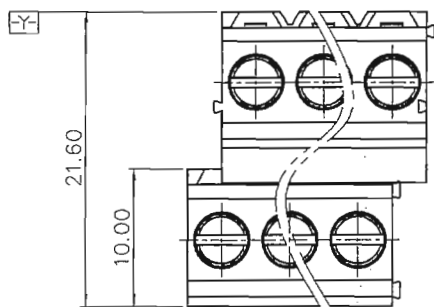


REVISION RECORD

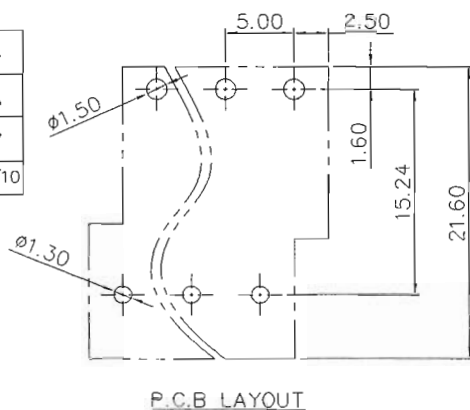
REV	ECN	DESCRIPTION	DRFT	DATE
△		Drawing Revise	Haoyh	03/09/06
△		修改线数:改为每个焊脚代表一线	LJH	03/22/08
△	10-0363	修改技术参数	ZXX	10/28/10
△	15-0072	认证参数更新	YJZ	03/04/15

NOTES:

- 1.DIMENSION SHALL BE INTERPRETED PER ASME Y14.5-2009.
- 2.PITCH: 5.0MM ,POLES: 4-XXP
- 3.RATED VOLTAGE/CURRENT: UL 300V/20A △ VDE 250V/18A △
- 4.OPERATION TEMPERATURES: -40℃~+105℃
- 5.WITHSTANDING VOLTAGE: AC2000V/1MIN.
- 6.WIRE RANGE: 28~12AWG,1.0~2.5MM<sup>2</sup>
- 7.TORQUE VALUE: M2.5,4.08kgf.cm
- 8.UNDIMENSIONED TOLERANCES:



PITCH RANGE IN MM		NOMINAL DIMENSION RANGE IN MM						-
TO	OVER	TO	OVER	TO	OVER	TO	OVER	TO
6	10	30	60	100	150	150	150	150
10	24	60	100	150	150	150	150	150
±0.10	±0.15	±0.25	±0.20	±0.30	±0.50	±0.70	±1.00	0.05/10



研发专用  
2015.03.23  
(仅限内部使用, 对外无效)

ITEM	NAME OF PART	NO. OF PART	Q'TY	MATERIAL	NOTES
△ 6	DG500H-Pin Header	4038B00010(H)	XX/2	Brass	Sn Plated
△ 5	DG128-Pin Header	4027B00010(H)	XX/2	Brass	Sn Plated
△ 4	DG128"-Screw	S000001460(H)	XX	Steel	Zn Plated
△ 3	DG128 Brass Cage	X00000020(H)	XX	Brass	Ni Plated
△ 2	DG500H-5.0-Housing	4037AYY(XX/2)A(H)	1	PA66	UL94V-0
△ 1	DG500-5.0-Housing	4045AYY(XX/2)A(H)	1	PA66	UL94V-0

DETACHED LISTS		MATERIAL:		DEGSON® 宁波高正电子有限公司	
TOLERANCES EXCEPT AS NOTED		FINISH:		DEGSON ELECTRONICS CO., LTD	
PART NO.:		NAME:		DG500B-5.0-XXP-1Y-00A(H)	
ANGLES ± 1°		APPD: <i>Long 3/11/15</i>		TITLE: ASSEMBLY DRAWING	
THIRD ANGLE PROJECTION		CHKD: <i>Len 3/11/15</i>		DRAWING NO.: DG500B-5.0-E01	
DRFT: tongxc 03/25/04"		DO NOT SCALE DRAWING		SCALE	N/A
		SHEET		1/1	