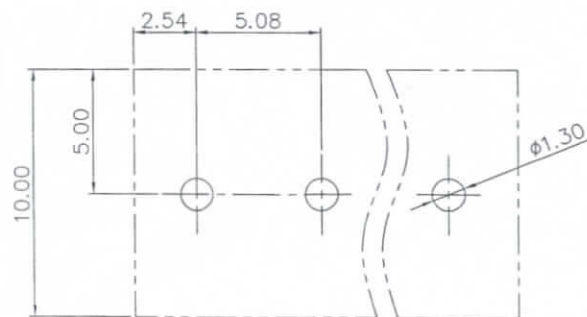
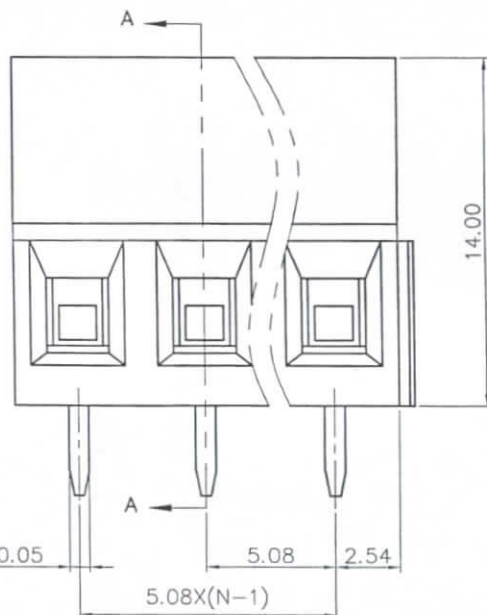
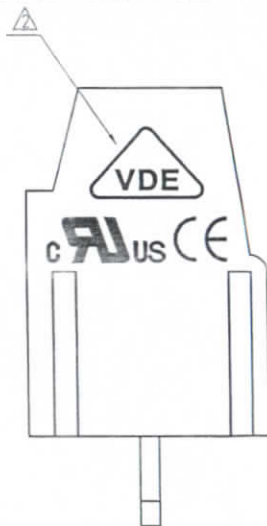
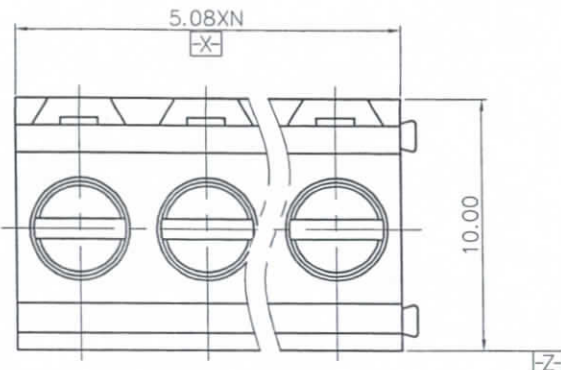
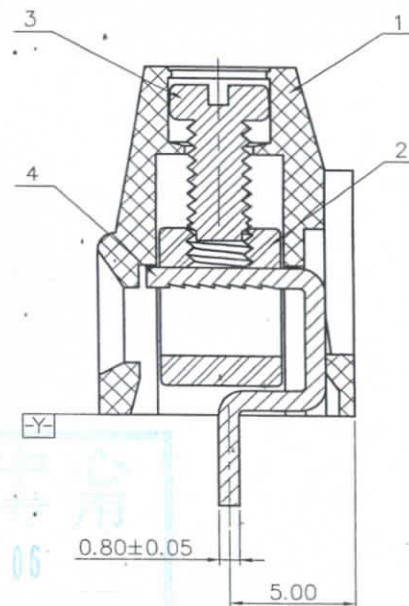
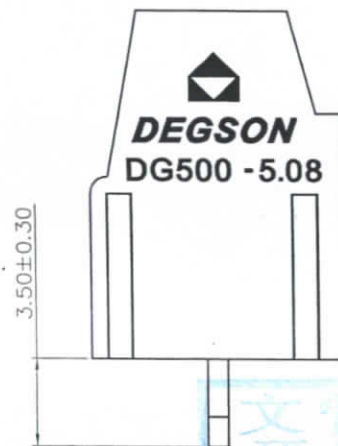


- NOTES:  
 1. DIMENSION SHALL BE INTERPRETED PER ASME Y14.5-2009.  
 2. PITCH: 5.08MM, POLES: N=2-XXP  $\triangle$   $\triangle$   
 3. RATED VOLTAGE/CURRENT: UL 300V/20A VDE 250V/18A  
 4. OPERATION TEMPERATURES: -40°C~+105°C  
 5. WITHSTANDING VOLTAGE: AC2000V/1MIN.  
 6. INSULATION RESISTANCE: 5000M $\Omega$ /DC1000V  
 7. WIRE RANGE: 24~12AWG, 2.5MM<sup>2</sup>  
 8. TORQUE VALUE: M2.5, 4.08kgf.cm  
 9. UNDIMENSIONED TOLERANCES:



P.C.B LAYOUT



SEC A-A

REVISION RECORD				
REV	ECN	DESCRIPTION	DRFT	DATE
$\triangle$		Drawing Revise	Haoyh	03/31/06
$\triangle$		增加VDE、CE标志	LJH	11/14/07
$\triangle$	10-0245	UL电流由10A变更为15A	Lasting	08/02/10
$\triangle$	14-0379	UL电流由15A变更为20A	WYJ	10/24/14

PITCH RANGE IN MM		NOMINAL DIMENSION RANGE IN MM					
TO 6	OVER 6 TO 10	OVER 10 TO 24	TO 30	OVER 30 TO 60	OVER 60 TO 100	OVER 100 TO 150	OVER 150
±0.10	±0.15	±0.25	±0.20	±0.30	±0.50	±0.70	±1.00

ITEM	NAME OF PART	NO. OF PART	Q"TY	MATERIAL	NOTES
4	DG128-Pin header	4027B00010(H)	XX	Brass	Sn plated
3	DG128-"Screws"	S000001460(H)	XX	Steel	Cr <sup>3+</sup> Zn
2	DG128 Brass Cage	X000000020(H)	XX	Brass	Ni plated
1	DG500-5.08 Housing	4036A0YXXA(H)	1	PA66	UL94V-0

DETACHED LISTS		FINISH:		MATERIAL:	
TOLERANCES EXCEPT AS NOTED					
.X ±	.X" ±	PART NO.:	NAME:		
.XX ±	.XX" ±		DEGSON® 宁波高正电子有限公司		
.XXX ±	.XXX" ±		DEGSON ELECTRONICS CO., LTD		
ANGLES ± 1°		APPD: Aaron 11/25/14	TITLE: ASSEMBLY DRAWING		
THIRD ANGLE PROJECTION		CHKD: Jea 11/27/14	DRAWING NO.: DG500-5.08-E02		
		DRFT: HW 09/23/05	DO NOT SCALE DRAWING	SCALE	N/A
			SHEET	1/1	

文管中心  
 研发部  
 2014.12.05  
 (内部资料 请勿外传)