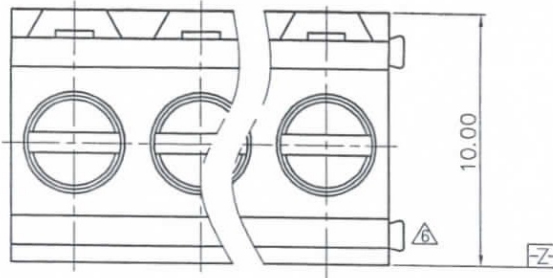
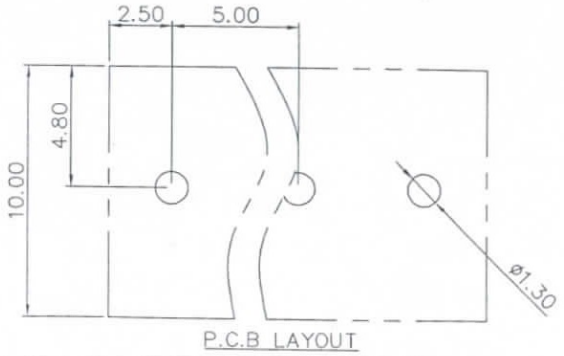
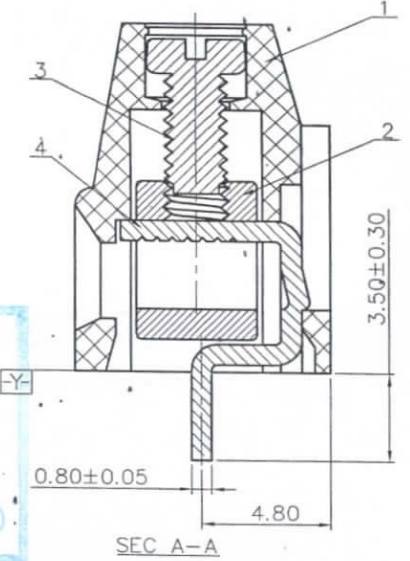
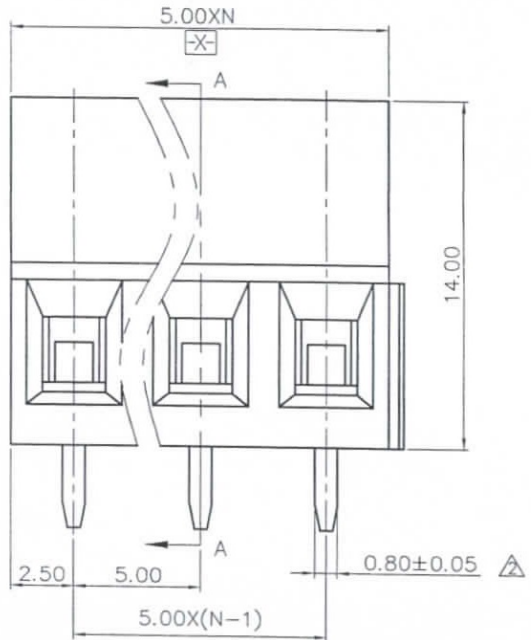
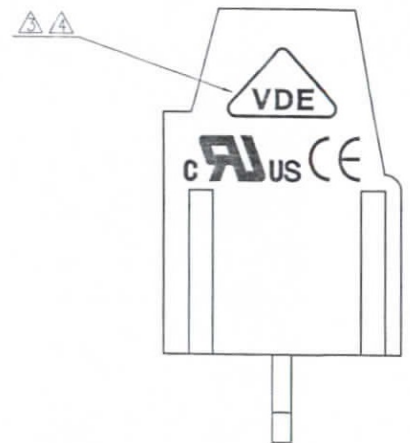


NOTES:
 1. DIMENSION SHALL BE INTERPRETED PER ASME Y14.5-2009.
 2. PITCH: 5.0MM, POLES: 2~XXP $\triangle \triangle$
 3. RATED VOLTAGE/CURRENT: UL 300V/20A VDE 250V/18A
 4. OPERATION TEMPERATURES: -40°C~+105°C
 5. WITHSTANDING VOLTAGE: AC2000V/1MIN.
 6. INSULATION RESISTANCE: 5000M Ω /DC1000V
 7. WIRE RANGE: 24~12AWG, 2.5MM²
 8. TORQUE VALUE: M2.5, 4.08kgf.cm
 9. UNDIMENSIONED TOLERANCES:

PITCH RANGE IN MM			NOMINAL DIMENSION RANGE IN MM				-
TO	OVER TO	OVER TO	TO	OVER TO	OVER TO	OVER TO	
6	6 TO 10	10 TO 24	30	30 TO 60	60 TO 100	100 TO 150	\square
	± 0.10	± 0.15	± 0.25	± 0.20	± 0.30	± 0.50	± 0.70
							± 1.00
							0.05/10



REVISION RECORD				
REV	ECN	DESCRIPTION	DRFT	DATE
\triangle		Drawing Revise	Haoyh	04/18/06*
\triangle		针宽由0.9±0.5改为0.8±0.05	YeJ	02/05/07*
\triangle		修改UL刻字	CSX	08/03/07*
\triangle		增加VDE、CE标志	LJH	11/14/07*
\triangle	10-0245	UL电流由10A变更为15A	Lasting	08/02/10*
\triangle		修改拼接卡槽与实物一致	Aaron	10/29/12*
\triangle	14-0379	UL电流由15A变更为20A	WYJ	10/24/14*



ITEM	NAME OF PART	NO. OF PART	Q'TY	MATERIAL	NOTES
4	DG128-Pin header	4027B00010(H)	XX	Brass	Sn plated
3	DG128"-Screws	S000001460(H)	XX	Steel	Cr ³⁺ Zn
2	DG128 Cage	X000000020(H)	XX	Brass	Ni plated
1	DG500-5.0 Housing	4045A0YXXA(H)	1	PA66	UL94V-0

DETACHED LISTS	MM (INCH)		MATERIAL:		宁波高松电子有限公司 NINGBO DEGSON ELECTRICAL CO., LTD	
	TOLERANCES EXCEPT AS NOTED		FINISH:			
	.X ±	.X' ±	PART NO.:		NAME:	
	.XX ±	.XX' ±	Series DG500-5.0		DG500-5.0-XXP-1Y-00A(H)	
.XXX ±	.XXX' ±	APPD: Aaron 11/25-14		TITLE: ASSEMBLY DRAWING		
ANGLES ± 1'		CHKD: Jen 11/27/14		DRAWING NO.: DG500-5.0-E02		REV T7
THIRD ANGLE PROJECTION		DRFT: Haoyh 06/27/05*		DO NOT SCALE DRAWING		SCALE N/A SHEET 1/1