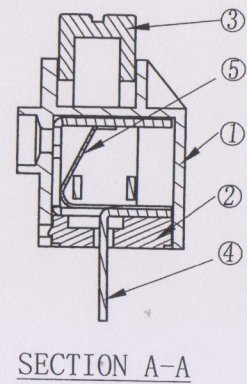
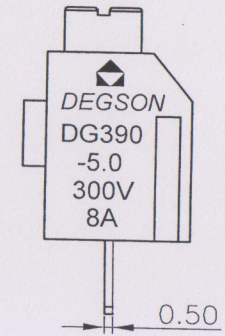
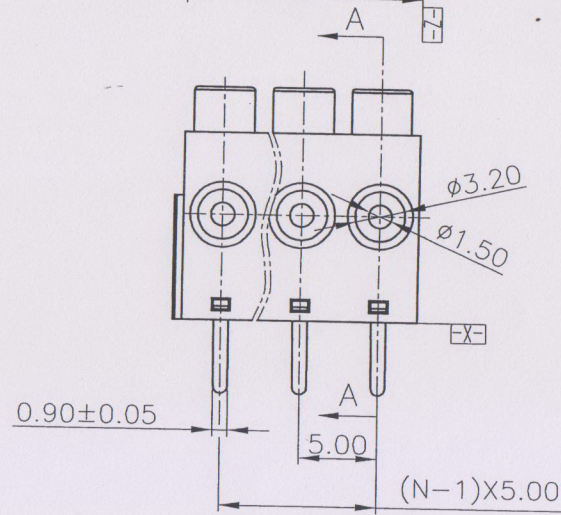
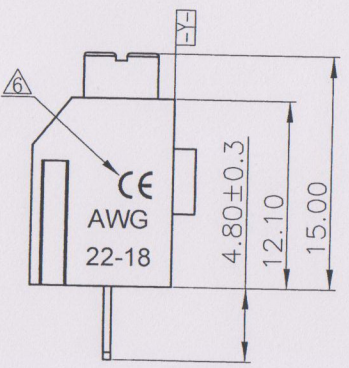
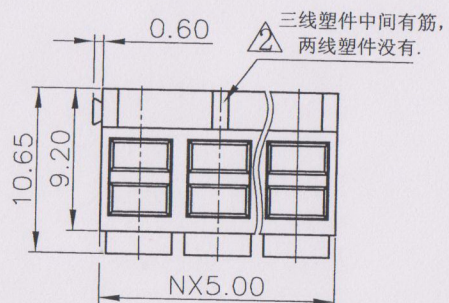


REVISION RECORD				
REV	ECN	DESCRIPTION	DRFT	DATE
①		料号由3006D0Y01A 变更为3006D05010.	CSX	12/15/05'
②		增加区分两线三线的标注	CSX	03/16/06'
③		料号由3006D05010 变更为3006D0501A.	CSX	12/21/06'
④	10-0434	按钮原材料由PC改为POM	Golden	12/28/10'
⑤		依认证标签修改技术参数	NPX	05/17/13'
⑥	14-0035	增加CE刻字, 更正图面版本	Areddy	02/20/14'



- Notes:
1. Pitch: 5.0mm,
 2. Rated voltage/current: UL1059 300V/8A
IEC 250V/13.5A
 3. Operation temperatures: -30°C ~ +120°C
 4. Withstanding Voltage: AC2000V/1min
 5. Insulation Resistance: 5000MΩ/DC1000V
 6. Wire Range: 22~18AWG, 1.0mm²
 7. Undimensioned Tolerances:

Pitch range in mm			Normal dimension range in mm						
to 6	over 6 to 10	over 10 to 24	to 6	over 6 to 30	over 30 to 90	over 90 to 200	over 200 to 480	—	
±0.10	±0.15	±0.25	±0.1	±0.2	±0.3	±0.5	±0.7	±0.05/10	

ITEM	NAME OF PART	NO. OF PART	Q'TY	MATERIAL	NOTES
5	DG390-5.0-Clamp	X00000800 (H)	XX	Stainless steel	
4	DG390-5.0-Pin header	3006B00010 (H)	XX	Brass	Snce
3	DG390-5.0-Button	3006D0501A (H) ③	XX	POM ④	UL94HB
2	DG390 Cover	3006C0YXXA (H)	1	PBT	UL94V-0
1	DG390 Housing	3006A0YXXA (H)	1	PBT	UL94V-0

DEGSON 宁波高正电子有限公司		DEGSON ELECTRONICS CO., LTD	
NAME: DG390-5.0-XXP-1Y-00A (H).		TITLE: ASSEMBLY DRAWING	
DRAWING NO.: DG390-5.0-E04		REV: T6	
DO NOT SCALE DRAWING		SCALE: 1:1 SHEET: 1/1	



DETACHED LISTS

MM (INCH)

TOLERANCES EXCEPT AS NOTED

ANGLES ± 1°

THIRD ANGLE PROJECTION

MATERIAL:

FINISH:

PART NO.:

APPD: Jean 03/18/14'

CHKD: Alan 03/17/14'

DRFT: Areddy 03/11/14'