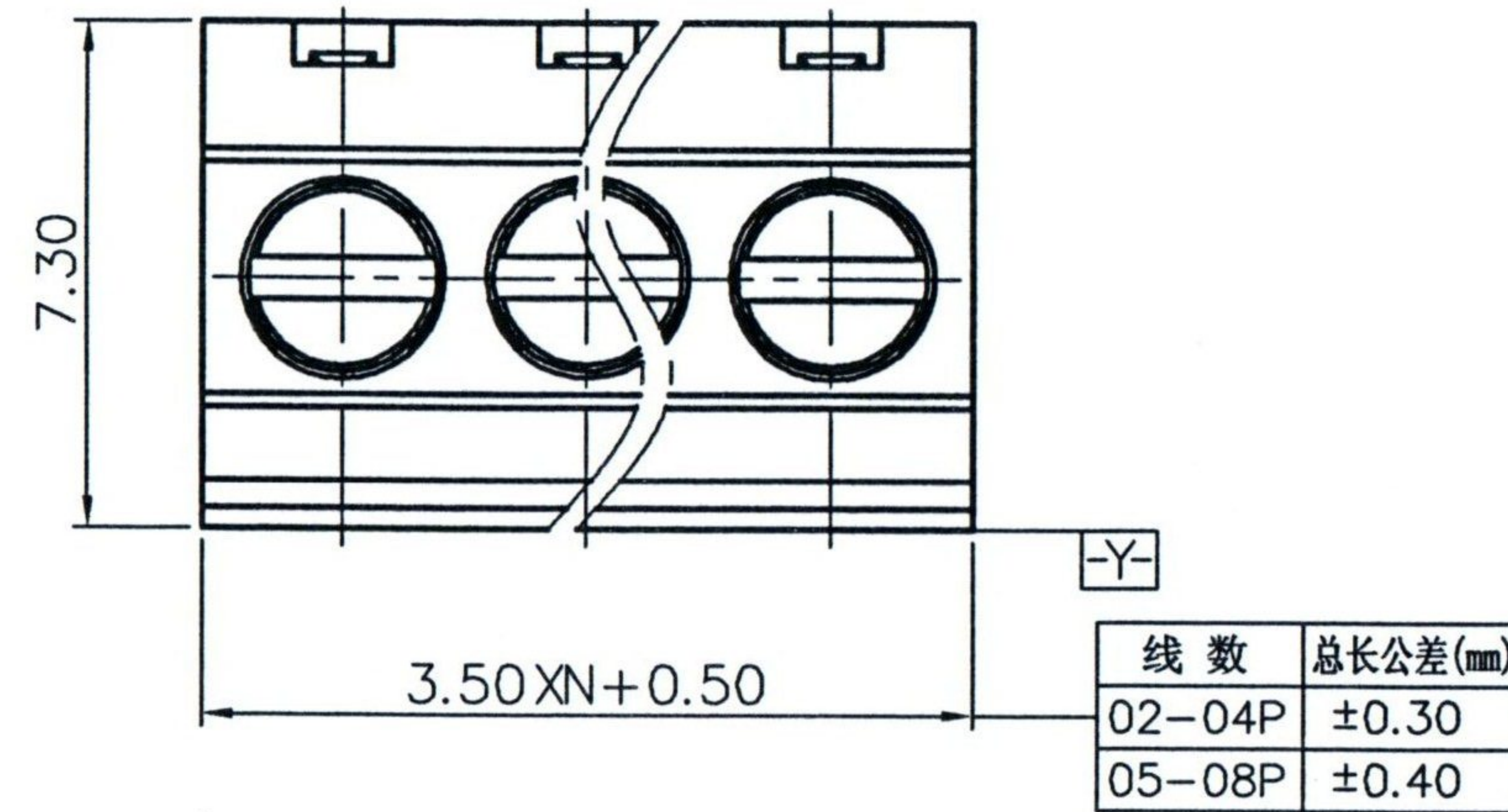
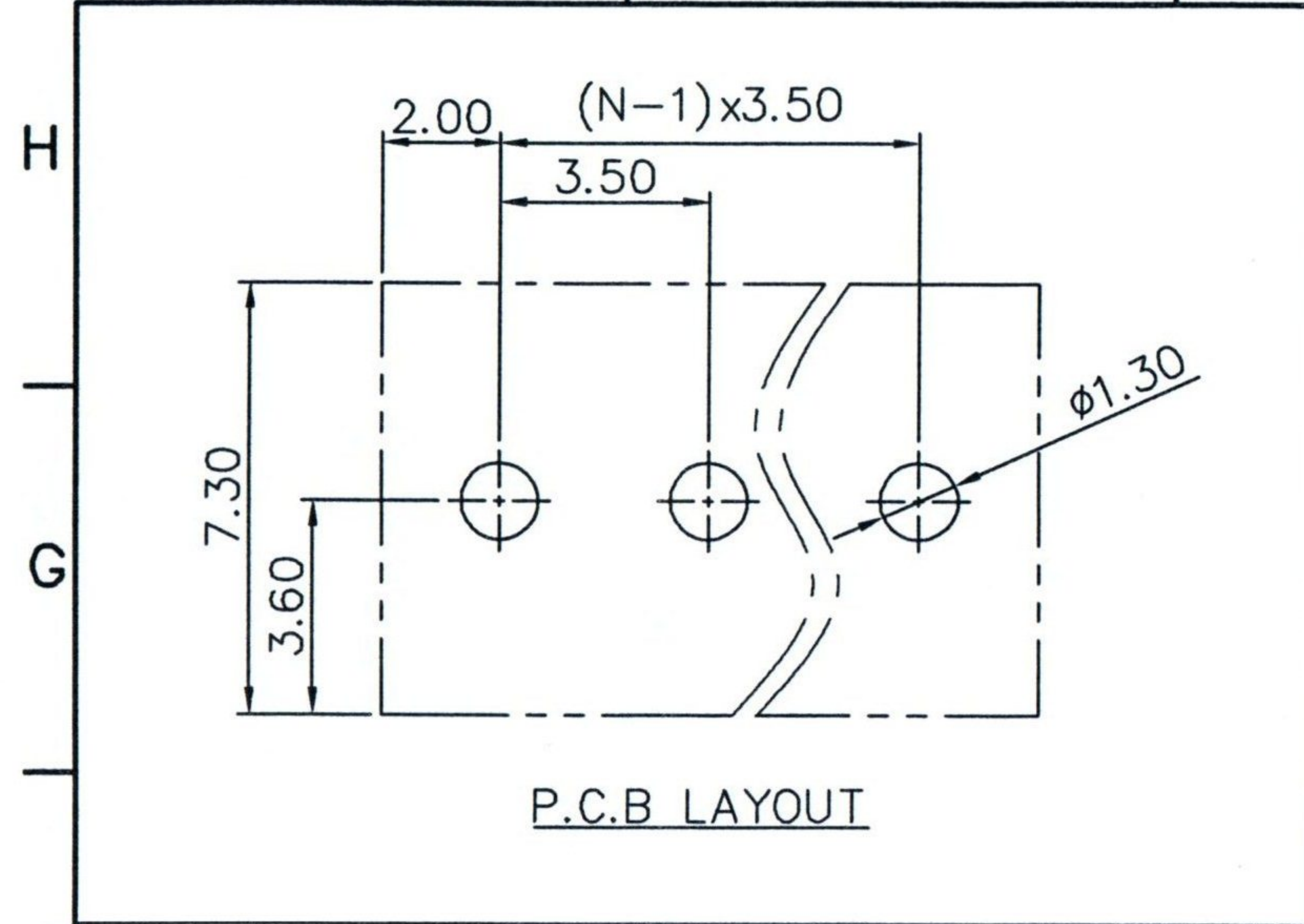
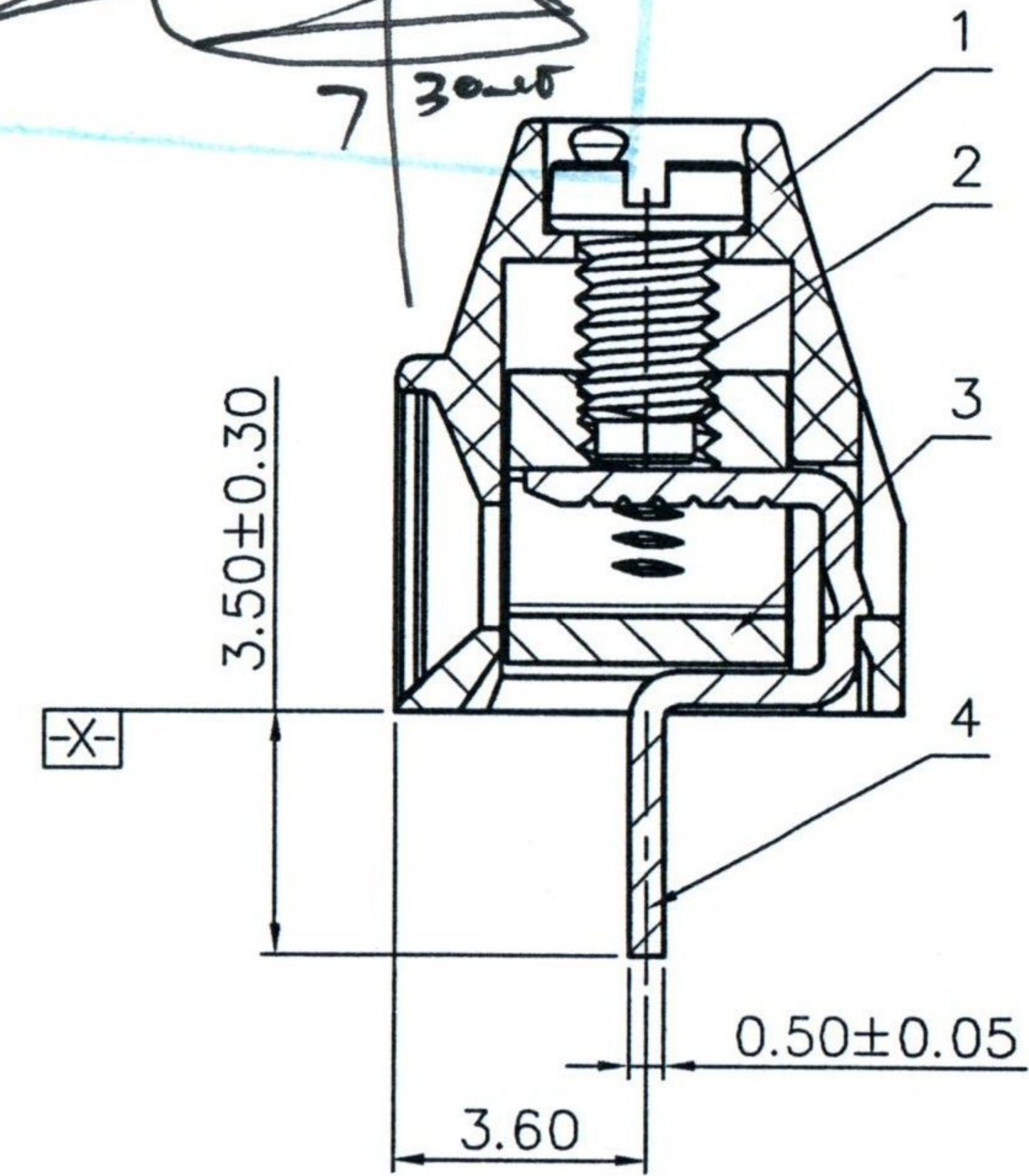
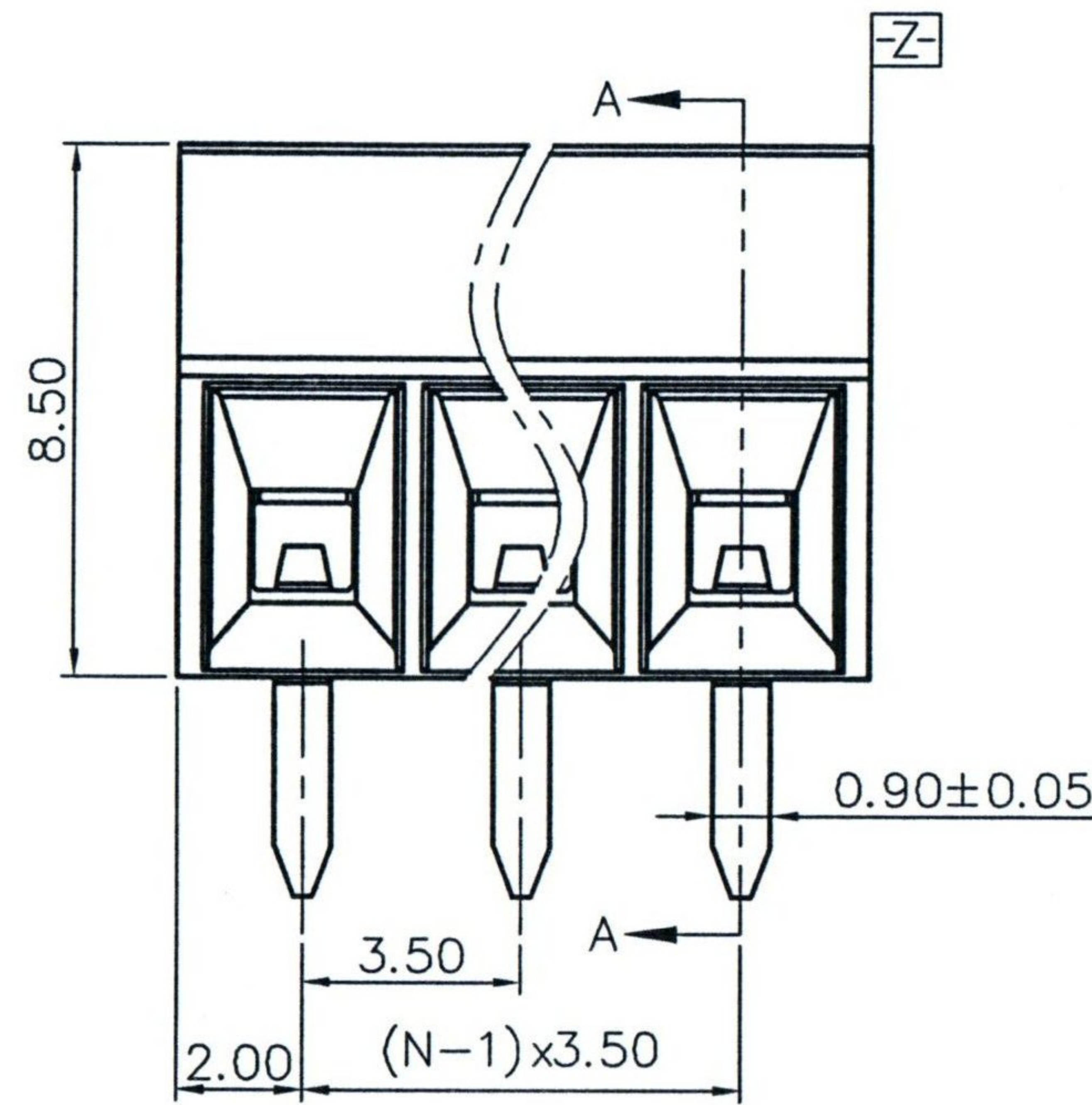
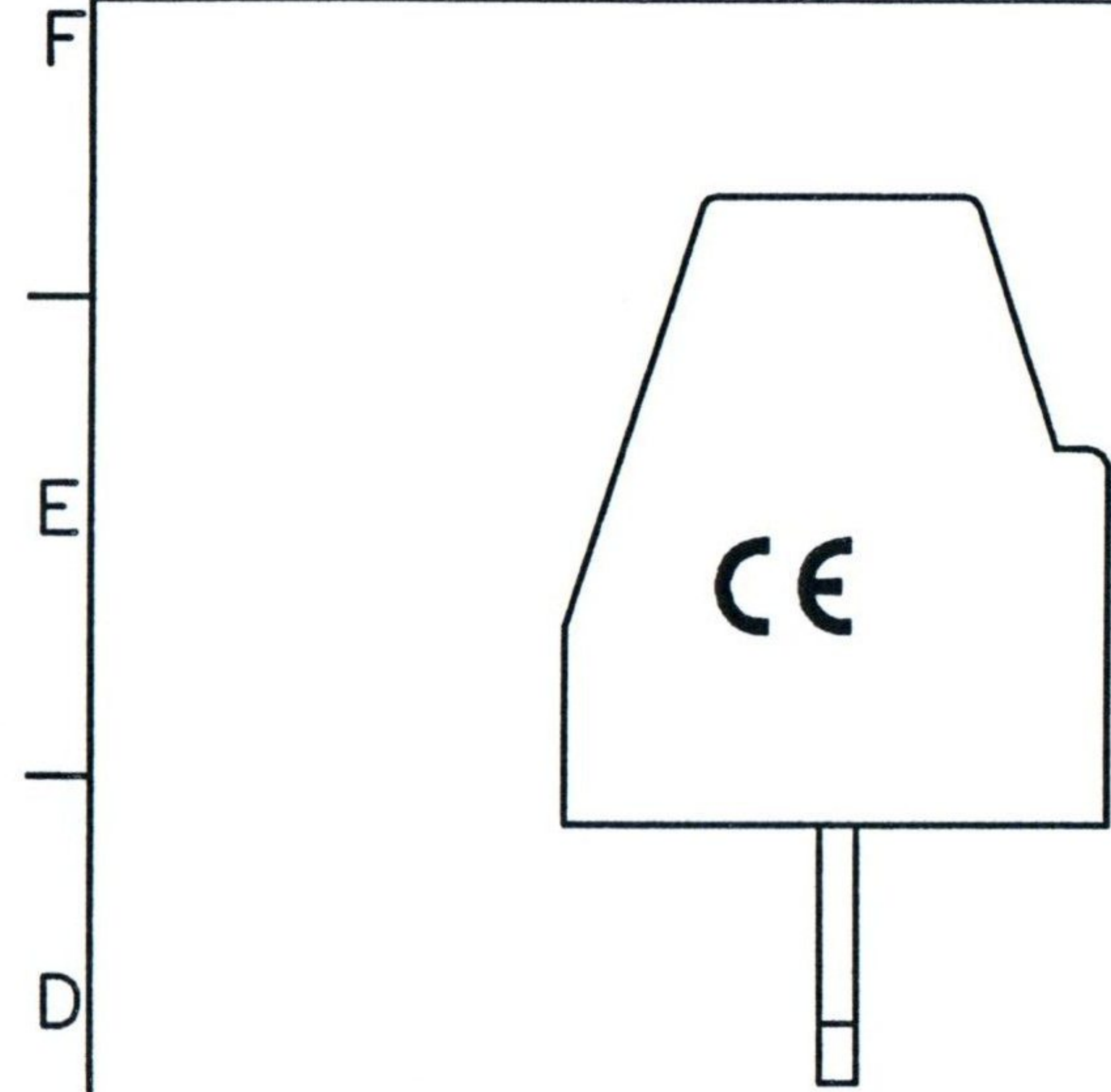


REV	ECN	DESCRIPTION	DRFT	DATE



仅供参考图  
 签字: [Signature]  
 日期: [Date]



- NOTES:  
 1. DIMENSION SHALL BE INTERPRETED PER ASME Y14.5-2009.  
 2. PITCH: 3.5, POLES: N=02-08P  
 3. UL1059: 150V/10A  
 4. IEC:

POLLUTION DEGREE	2	2	3
OVERVOLTAGE CATEGORY	II	III	III
RATED IMPULSE VOLTAGE(KV)	2.5KV	2.5KV	2.5KV
RATED VOLTAGE(V)	200V	200V	63V
RATED CURRENT(A)	13.5A	13.5A	13.5A

5. LOWER LIMIT TEMPERATURE: -40°C  
 6. UPPER LIMIT TEMPERATURE: +120°C  
 7. WIRE RANGE: 26AWG~16AWG, 0.2MM<sup>2</sup>~1.5MM<sup>2</sup>  
 8. TORQUE VALUE: M2, 1.77LB.IN/0.2N.M.  
 9. STRIPPING LENGTH: 5~6MM  
 10. UNDIMENSIONED TOLERANCES:

PITCH RANGE IN MM	NOMINAL DIMENSION RANGE IN MM							TOLERANCE
	TO 6	OVER 6 TO 10	OVER 10 TO 24	TO 30	OVER 30 TO 60	OVER 60 TO 100	OVER 100 TO 150	
±0.10	±0.15	±0.25	±0.20	±0.30	±0.50	±0.70	±1.00	0.05/10

ITEM	NAME OF PART	NO. OF PART	Q'TY	MATERIAL	NOTES
4	DG381-1000A Pin header	4047B00030(H)	XX	Phosphor bronze	Sn plated
3	DG381-1000A Cage	X000005070(H)	XX	Brass	Ni plated
2	DG381-1000A Screw	S000006220(H)	XX	Steel	Zn plated
1	DG381-THR-3.5-Housing	4227GYXXA(H)	1	PA4T	UL94V-0

DETAILED LISTS

MM (INCH)

TOLERANCES EXCEPT AS NOTED

FINISH:

PART NO.:

NAME: **DEGSON** 宁波高正电子有限公司  
 DEGSON ELECTRONICS CO., LTD

APPD: Aaron 7/30/14

CHKD:

DRFT: Jay.z 10/07/14"

TITLE: ASSEMBLY DRAWING

DRAWING NO.: DG381-THR-3.5-E03

DO NOT SCALE DRAWING

SCALE: N/A

REV: T0-1

SHEET: 1/1