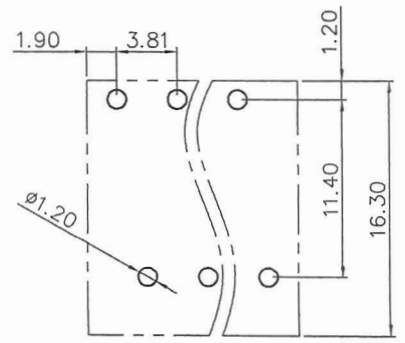
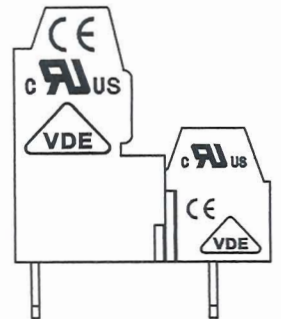
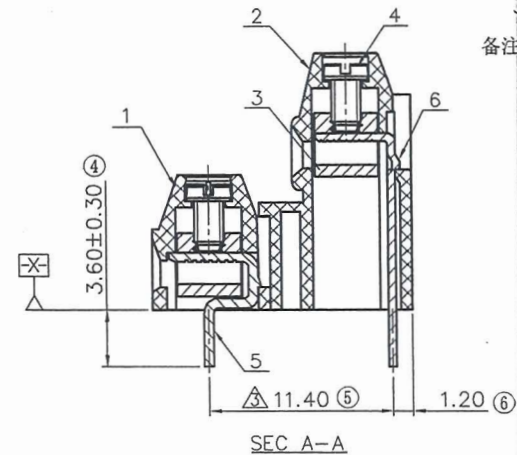
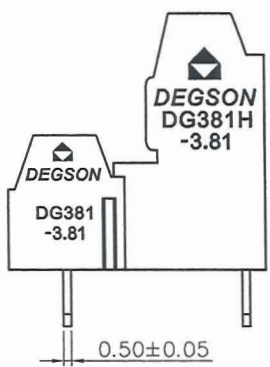
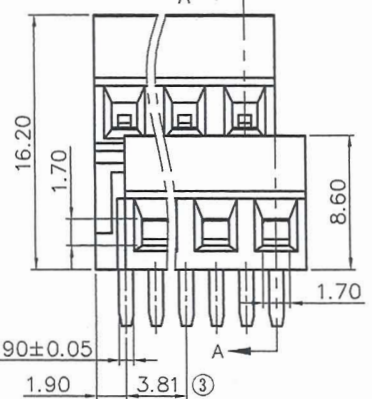
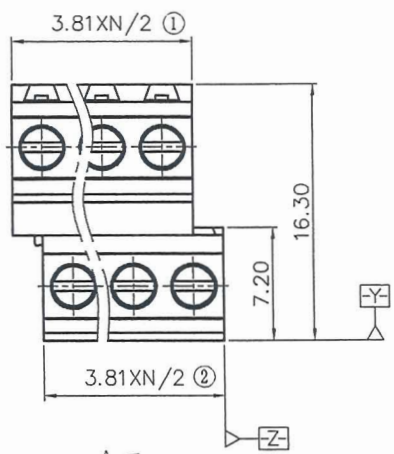


REVISION RECORD				
REV	ECN	DESCRIPTION	DRFT	DATE
△		Drawing Revise	Haoyh	03/08/06*
△		修改线数:改为每个焊脚代表一线	LJH	03/22/08*
△	09-0129	与实物相符	Wupeng	11/14/09*
△	15-0513	IEC 线径按实际认证修订	Jay.z	11/19/15*

- 备注一:
- UL 标准
1. 额定电压与电流 : 300V / 12A
 2. 螺丝扭力 : M2, 1.77Lb.in
 3. 线径范围 : 26~16AWG
- IEC 标准
1. 额定电压与电流 : 130V / 10A
 2. 螺丝扭力 : M2, 0.2N.m
 3. 线径范围 : 0.2~1.0mm² △

- 备注二:
1. 尺寸标注符合标准 ASME Y14.5-2009
 2. P距 : 3.81mm, P数范围 : N=04~XXP
 3. 剥线长度 : 5-6mm
 4. 工频耐压 : AC1250V/1Min.
 5. 使用温度范围 : -40°C~+105°C
 6. "⊗" 为重点管控尺寸
 7. 未注公差表:
- | P距方向公差(mm) | 其他尺寸公差(mm) | | | | | - / 0 / □ |
|------------|------------|--------|---------|---------|----------|-----------|
| | ≤6 | 6 ~ 10 | 10 ~ 30 | 30 ~ 60 | 60 ~ 100 | |
| ±0.10 | ±0.15 | ±0.25 | ±0.20 | ±0.30 | ±0.50 | ±1.00 |
| | | | | | | ±1' |
9. 须符合RoHS 环保要求



P.C.B LAYOUT

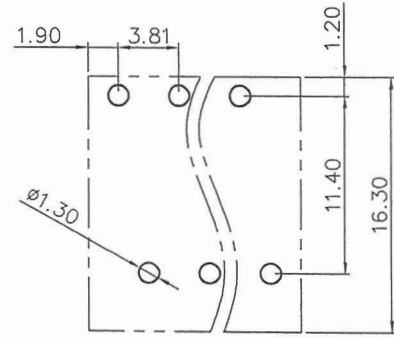
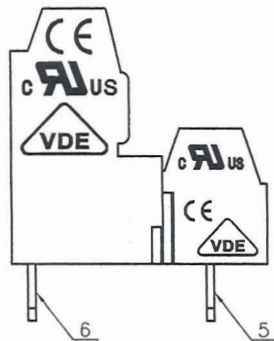
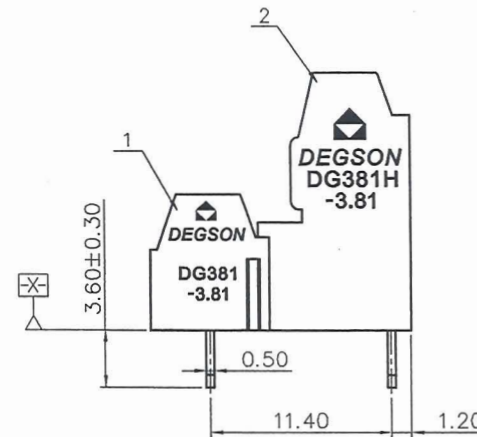
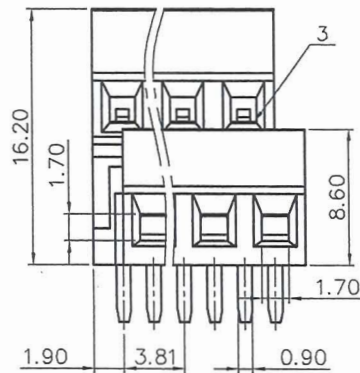
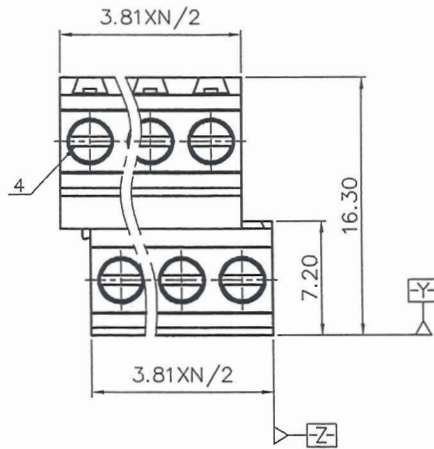
ITEM	NAME OF PART	NO. OF PART	Q'TY	MATERIAL	NOTES
△ 6	DG381H 焊脚	4033B00010(H)	N/2	黄铜	镀锡
△ 5	DG381 焊脚	4047B00010(H)	N/2	磷青铜	镀锡
△ 4	DG381 螺丝	S000001440(H)	N	钢	M2/镀锌
△ 3	DG381 方块	X000000300(H)	N	黄铜	M2/镀镍
△ 2	DG381H-3.81-塑件	4033AYY(XX/2)A(H)	1	PA66	UL94V-0
△ 1	DG381-3.81-塑件	4047AYY(XX/2)A(H)	1	PA66	UL94V-0

PART NO.: /		宁波高松电子有限公司	
APPD: <i>Apren 11/24/15</i>		DEGSON® NINGBO DEGSON ELECTRICAL CO., LTD	
CHKD: <i>Jes 11/20/15</i>		NAME: DG381A-3.81-XXP-1Y-00A(H)	
DRFT: Wupeng 11/14/09"		TITLE: ASSEMBLY DRAWING	
DRAWING NO.: DG381A-3.81-E03		REV	T4
THIRD ANGLE PROJECTION		SHEET	1/1
MM (INCH)		SCALE	1:1

管中心
开发专用
11.15
对外无

REVISION RECORD

REV	ECN	DESCRIPTION	DRFT	DATE



P.C.B LAYOUT

NOTES1:

UL Standard

- 1.Rated Voltage/Current : 300V / 12A
- 2.Torque Value : M2 , 1.77Lb.in
- 3.Wire Range : 26~16AWG

IEC Standard

- 1.Rated Voltage/Current : 130V / 10A
- 2.Torque Value : M2 , 0.2N.m
- 3.Wire Range : 0.2~1.0mm²

NOTES2:

- 1.Dimension shall be interpreted per ASME Y14.5-2009
- 2.Pitch : 3.81mm, Poles : N=04~XXP
- 3.Stripping length : 5-6mm
- 4.Withstanding Voltage : AC1250V/1Min.
- 5.Operating temperature: -40°C~+105°C
- 6.Undimensioned Tolerances:

Pitch Range In mm		Nominal Dimension Range In mm					±	∠
TO 6	Over 6 TO 10	Over 10 TO 24	Over 30 TO 60	Over 60 TO 100	Over 100 TO 150	Over 150	0.1/10	
±0.15	±0.20	±0.30	±0.30	±0.50	±0.70	±1.00	±1.30	
							±2°	

7.RoHS Compliance

ITEM	NAME OF PART	MATERIAL	NOTES
6	SOLDER PIN	COPPER ALLOY	Sn Plated
5	SOLDER PIN	COPPER ALLOY	Sn Plated
4	SCREW	STEEL	M2/Zn Plated
3	CAGE	COPPER ALLOY	M2/Ni Plated
2	HOUSING	PA66	UL94V-0
1	HOUSING	PA66	UL94V-0

管中元
开发专员
11.15

DETACHED LISTS	PART NO.: /	宁波高松电子有限公司 DEGSON ® NINGBO DEGSON ELECTRICAL CO., LTD		
	APPD: <i>Aaron 11/14/15</i>	NAME:	DG381A-3.81-XXP-1Y-00A(H)	
	CHKD: <i>Jay.z 11/20/15</i>	TITLE: CUSTOMER DRAWING	REV	TO
	DRFT: Jay.z 11/19/15"	DRAWING NO.: DG381A-3.81-C03	SHEET	1/1
THIRD ANGLE PROJECTION		MM (INCH)	DO NOT SCALE DRAWING	SCALE 1:1