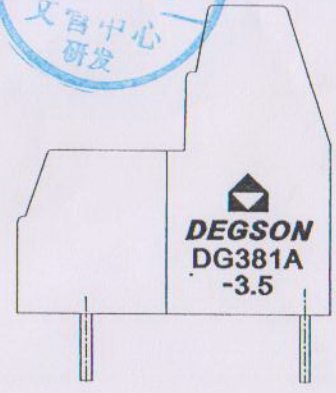
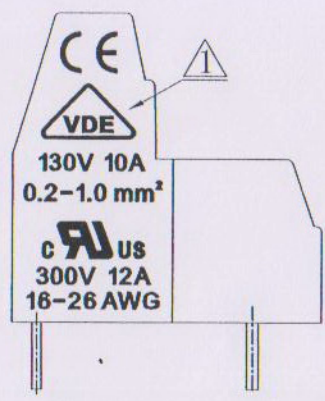


REVISION RECORD				
REV	ECO	DESCRIPTION	DRFT	DATE
10-0338		增加VDE刻字	Y1. Zeng	10/05/10
13-0140		新增公差	YJZ	09/05/13

- Notes:
- Pitch: 3.5mm , Ploes: 4-32P
 - Rated volatge/current: UL 300V/12A
VDE 130V/10A
 - Operation temperatures: -40° C~+105° C
 - With standing voltage: AC2000V/1Min
 - Insulation resistance: 5000MΩ/DC1000V
 - Wire range: 26~16AWG, 0.2~1.0mm²
 - Max. Torque Value: M2, 2.04kgf.cm
 - Undimensioned Tolerances:

Pitch range in mm		Nominal dimension range in mm					
to	over	over	over	over	over	over	∅
6	6 to 10	10 to 24	30 to 60	60 to 100	100 to 150	150 to 200	∇
±0.10	±0.15	±0.25	±0.2±0.3	±0.5±0.7	±1.0	±0.05	



5	DG38III Pin header	4033B00010(H)	XX/2	Brass	SnCe
4	DG38I Pin header	4047B00010(H)	XX/2	Phosphor bronze	SnCe
3	DG38I Screws	S000001440(H)	XX	Steel	Cr ³⁺ Zn
2	DG38I Cage	X000000300(H)	XX	Brass	Ni plated

1	DG381A-3.5 Housing	4168G0YXXA(H)	1	PA66	UL94V-0
ITEM	NAME OF PART	NO. OF PART	Q'TY	MATERIAL	NOTES
DFTO CW DATE 05/22/09* CHKD DATE MFO DATE APPV DATE		宁波高正电子有限公司 DEGSON® DEGSON ELECTRONICS CO., LTD			
TOLERANCES EXCEPT AS NOTED MM .0 ± .00 ± .000 ±		NAME DG381A-3.5-XXP-1Y-80A(H)			
ANGLES ± 1° THIRD ANGLE PROJECTION		DRAWING NO. DG381A-3.5-E01 /PART NO. SIZE A3 REV 12 09/05/13			
FINISH : SCALE : 1:1			DO NOT SCALE DRAWING SHEET OF		