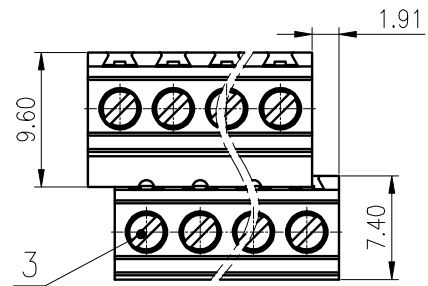
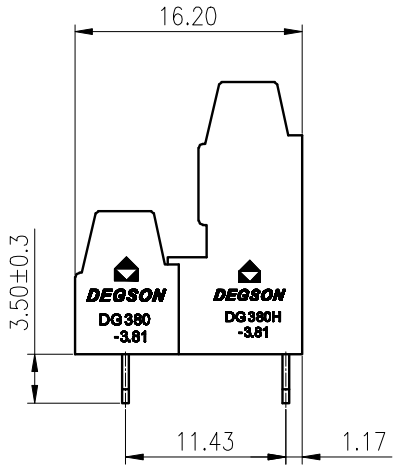
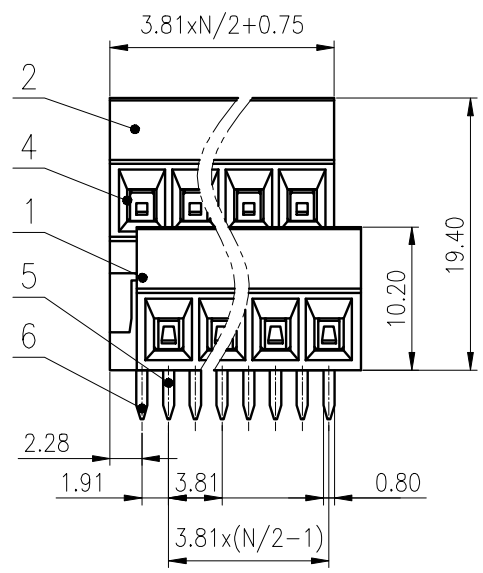
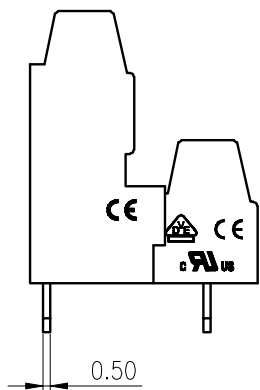


未注公差/General tolerances(mm)														
0	>3	>6	>10	>18	>30	>50	>80	>120	>180	>250	>315	>400	>500	0.1/10 ±2'
~3	~6	~10	~18	~30	~50	~80	~120	~180	~250	~315	~400	~500		
±0.12	±0.18	±0.22	±0.26	±0.31	±0.37	±0.57	±0.80	±0.93	±1.05	±1.15	±1.60	±2.20	±2.50	

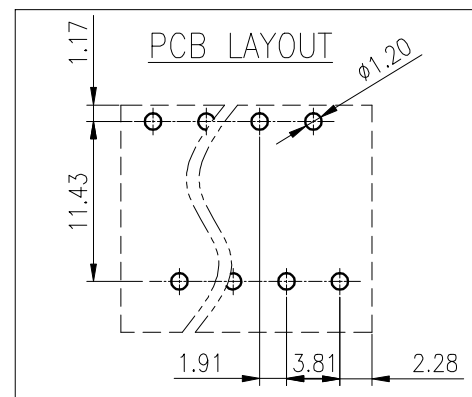
A



B



C



D

ITEM	NAME OF PART	MATERIAL	NOTES
6	Pin Header 2	Copper alloy	Sn Plated
5	Pin Header 1	Copper alloy	Sn Plated
4	Cage	Copper alloy	M2/Ni Plated
3	Screw	Steel	M2/Zn Plated
2	Housing	PA66	UL94V-0
1	Housing	PA66	UL94V-0
ITEM NAME OF PART MATERIAL NOTES			
UL 标准/UL Standard:		B	C D
额定电压/电流/Rated Voltage(V)/Current(A)		300/12	/ /
IEC 标准/IEC Standard:			
过压类别/Overvoltage Category/污染等级/Pollution Degree		III/3	III/2 II/2
额定电压/电流/Rated Voltage(V)/Current(A)		200/12	320/12 500/12
额定脉冲电压(KV)/Rate Impulse Voltage(KV)		4	4 4
螺栓扭矩/Torque Tightening(N·m/Lb.in)		M2, 0.2/1.77	
线径范围(硬线和软线)/Wire Range(rigid and flexible)(mm ² /AWG)		0.2~1.5/30~14	
间距/Pitch(mm)/线数范围/Poles		3.81/N=04~24P	
剥线长度/Stripping length(mm)		5-6	
使用温度范围/Operating temperature(°C)		-40~+105	
符合RoHS环保要求/Conform to RoHS		Yes	
标准颜色编号/Standard color number:		PANTONE / RAL	

MATERIAL:	SURFACE:		
MAT NO.:	/		
STATUS:	/		
APPD: Li GL 2020.06.22	NAME: 宁波高松电子有限公司 DEGSON® NINGBO DEGSON ELECTRICAL CO., LTD		
CHKD: Mao J 2020.06.22	DG380A-3.81-XXP-1Y-00A(H)		
DRFT:Wang LX 2020.06.22	DRAWING NO.: DG380A-3.81-C01		REV T1
④	SIZE: A4	TYPE: CUSTOMER DRAWING	SCALE: 2:1 SHEET 1/1

REV	ECN	DESCRIPTION	DRFT	DATE