

未注公差/General tolerances(mm)											0.1/10 ±2'		
0 ~ 3	>3 ~ 6	>6 ~ 10	>10 ~ 18	>18 ~ 30	>30 ~ 50	>50 ~ 80	>80 ~ 120	>120 ~ 180	>180 ~ 250	>250 ~ 315		>315 ~ 400	>400 ~ 500
±0.12	±0.18	±0.22	±0.26	±0.31	±0.37	±0.57	±0.80	±0.93	±1.05	±1.15	±1.60	±2.20	±2.50

A

B

C

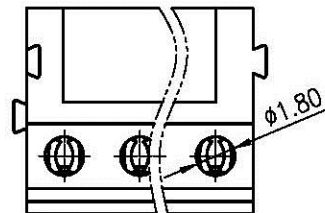
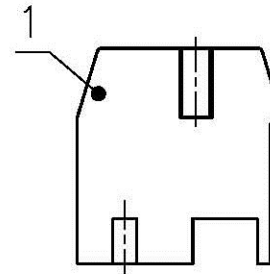
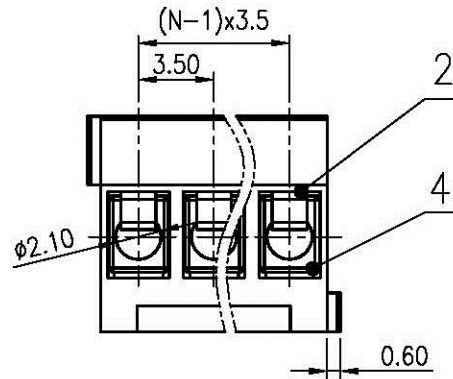
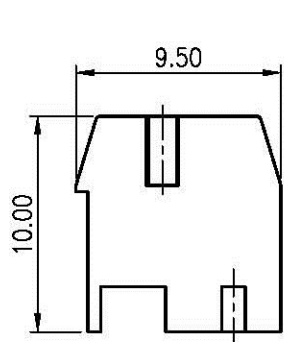
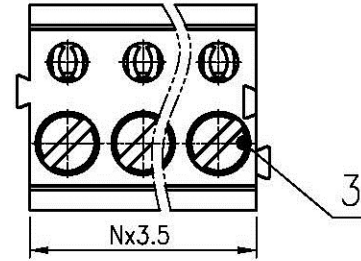
D

A

B

C

D



文管中心  
研发专用  
2020.05.20  
(仅限内部使用, 对外无效)

4	Cage	Copper alloy	M2/Ni plated
3	Screw	Steel	M2/Zn plated
2	Clamp	Copper alloy	Ni plated
1	Housing	PBT	UL94V-0
ITEM	NAME OF PART	MATERIAL	NOTES

UL 标准/UL Standard:		B	C	D
额定电压/电流/Rated Voltage(V)/Current(A)		300/8	7	300/8
IEC 标准/IEC Standard:				
过压类别/Overvoltage Category/污染等级/Pollution Degree		III/3	III/2	II/2
额定电压/电流/Rated Voltage(V)/Current(A)		/	250/10	/
工频耐压/Withstanding voltage(V/1Min)		AC2000		
螺丝扭矩/Torque Tightening(N·m/Lb.in)		M2, 0.20/1.77		
线径范围(硬线和软线)/Wire Range(rigid and flexible)(mm <sup>2</sup> /AWG)		1.0/28~16		
间距/Pitch(mm)/线数范围/Poles		3.5/N=02~24P		
剥线长度/Stripping length(mm)		4~5		
使用温度范围/Operating temperature(°C)		-30~+120		
符合RoHS环保要求/Conform to RoHS		Yes		

MATERIAL: DG333K-3.5		SURFACE:											
MAT NO.: /		宁波高松电子有限公司 NINGBO DEGSON ELECTRICAL CO., LTD											
STATUS: /													
APPD: Lan ChH 2020.05.20		NAME: DG333K-3.5-XXP-1Y-00A(H)											
CHKD: Yu JZh 2020.05.20		DRAWING NO.: DG333K-C02											
DRFT: CenX 2019.08.03		SCALE: 3:1	REV: T1										
<table border="1"> <tr> <th>REV</th> <th>ECN</th> <th>DESCRIPTION</th> <th>DRFT</th> <th>DATE</th> </tr> <tr> <td>①</td> <td></td> <td>Change the frame</td> <td>Wu LF</td> <td>2020.05.15</td> </tr> </table>		REV	ECN	DESCRIPTION	DRFT	DATE	①		Change the frame	Wu LF	2020.05.15	TYPE: CUSTOMER DRAWING	SHEET: 1/1
REV	ECN	DESCRIPTION	DRFT	DATE									
①		Change the frame	Wu LF	2020.05.15									