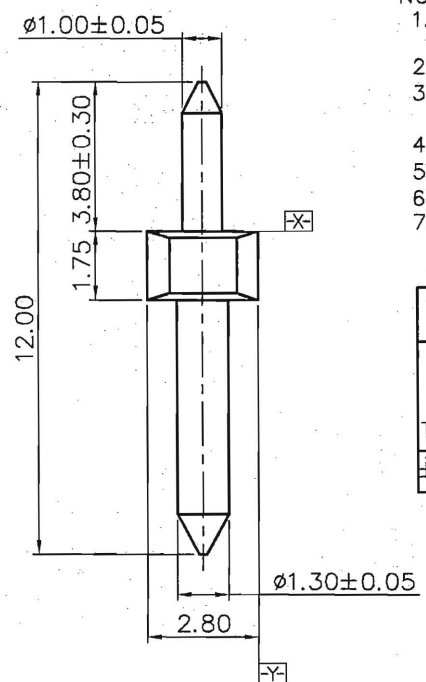
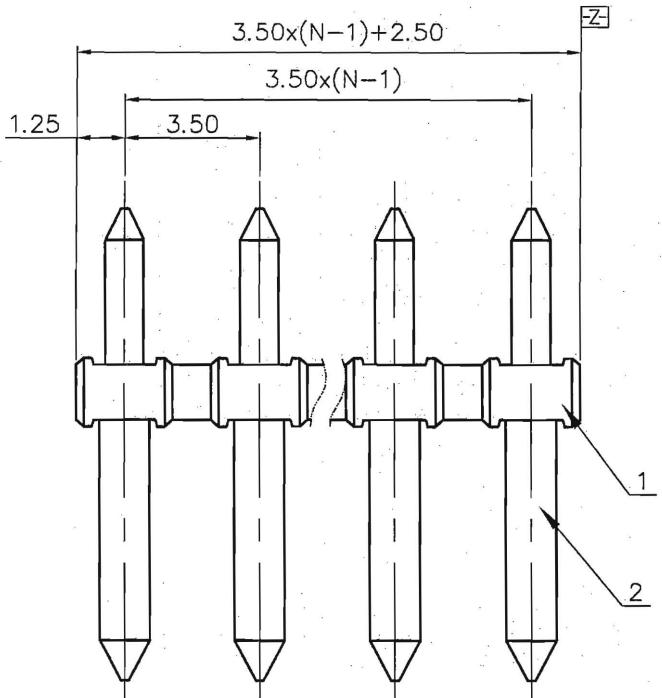


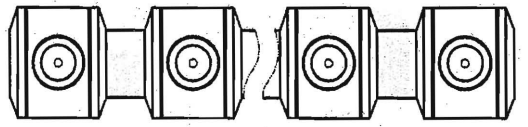
REVISION RECORD				
REV	ECN	DESCRIPTION	DRFT	DATE
△	14-0005	修改塑件材质	XLM	01/07/14
△	15-0180	图面整理及电气参数变更	CLB	05/03/15



- NOTES:
1. DIMENSION SHALL BE INTERPRETED PER ASME Y14.5-2009.
 2. PITCH: 3.50MM , POLES: N=01-24P
 3. RATED VOLTAGE/CURRENT: UL 300V/8A IEC 250V/10A △
 4. OPERATION TEMPERATURES: -40°C~+105°C
 5. WITHSTANDING VOLTAGE: AC2000V/1Min
 6. INSULATION RESISTANCE: 5000MΩ/DC1000V
 7. UNDIMENSIONED TOLERANCES:

PITCH RANGE IN MM		NOMINAL DIMENSION RANGE IN MM					-
OVER 6	OVER 10	OVER 30	OVER 60	OVER 100	OVER 150	○	
TO 6	TO 24	TO 30	TO 60	TO 100	TO 150	□	
±0.10	±0.15	±0.25	±0.20	±0.30	±0.50	±1.00	
						0.05/10	

文管中心
 研发专用
 2015.06.12
 (仅限内部使用, 对外无效)



2	DG333J-Pin header	4055B00010(H)	N	Brass	Sn Plated
1	DG333J-3.5-Housing	4055AYYXXA(H)	1	PA66 △	UL94V-0
ITEM	NAME OF PART	NO. OF PART	Q'TY	MATERIAL	NOTES

MM (INCH)		MATERIAL:	NINGBO DEGSON ELECTRONIC CO., LTD.		
TOLERANCES EXCEPT AS NOTED		FINISH:	DEGSON® Ningbo Degson Electrical Co.,		
.X ±	.X' ±	PART NO.:	NAME: DG333J-3.5-XXP-1Y-00A(H)		
.XX ±	.XX' ±	DG333J-3.5	TITLE: ASSEMBLY DRAWING		
.XXX ±	.XXX' ±	APPD: <i>Aaron 5/27-15</i>	DRAWING NO.: DG333J-E05		REV T2
ANGLES ± 1°		CHKD:	DO NOT SCALE DRAWING		SHEET 1/1
THIRD ANGLE PROJECTION		DRFT: LIUM 10/04/05	SCALE N/A		