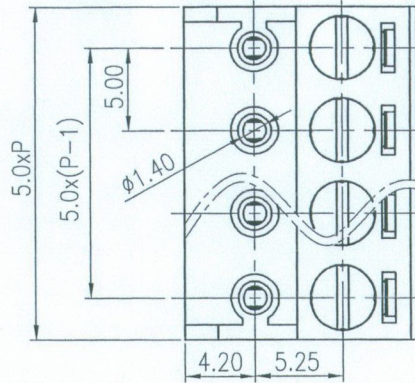


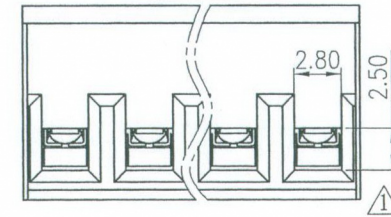
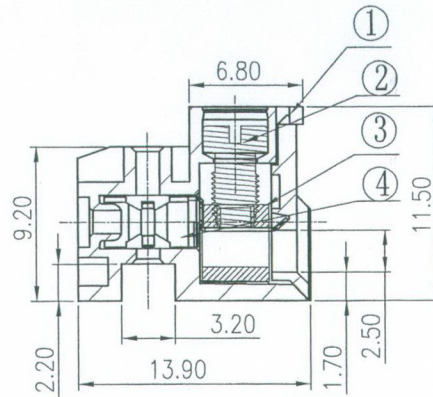
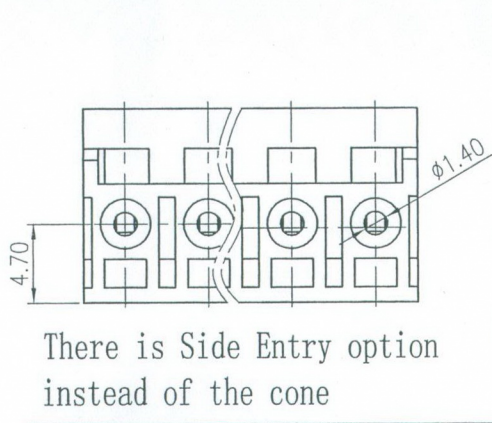
REVISION RECORD				
REV	ECO	DESCRIPTION	DRFT	DATE
△		接线孔大小2.3→2.5	LIN	07/12/07
△		料号变更	LIN	07/21/07
△		品名、料号增加环保标示“00”	CSX	12/10/07
△		增加刻字说明	LJH	01/14/09



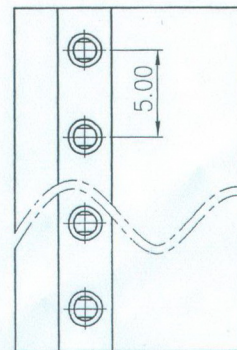
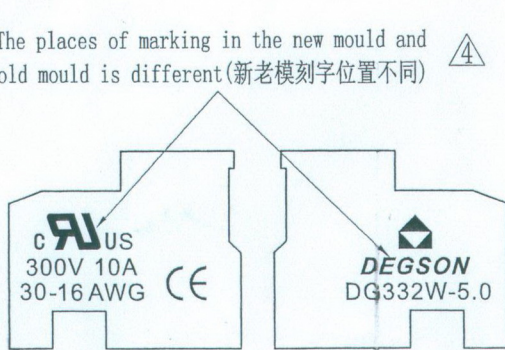
Notes:

- Pitch: 5.0mm, Poles: 2-12P
- Rated voltage/current: UL 300V/10A
IEC 250V/17.5A
- Operation temperatures: -40°C ~ +105°C
- Withstanding Voltage: AC2000V/1Min
- Insulation Resistance: 5000MΩ / DC1000V
- Wire Range: 30~16AWG, 1.5mm²
- Max. Torque Value: M2.5, 4.08kgf.cm
- Undimensioned Tolerances:

Pitch range in mm		Nominal dimension range in mm					
to	over	to	over	to	over	to	
6	6	10	10	30	60	100	150
6	10	24	30	60	100	150	
±0.10	±0.15	±0.25	±0.2	±0.3	±0.5	±0.7	±1.0



The places of marking in the new mould and old mould is different (新老模刻字位置不同)



ITEM	NAME OF PART	NO. OF PART	Q'TY	MATERIAL	NOTES
4	DG332W-00A-Clamp	X000001260 (H)	XX	Phosphor bronze	SnCe
3	DG332W-Cage	X000001030 (H)	XX	Brass	Ni plated
2	DG332W-Screw	S000001030 (H)	XX	Steel	Cr ³⁺ Zn
1	DG332W-00A-Housing	4075A0YXXA (H)	△	PA66	UL94V-0

DFTO Alon CHKD 407 MFO APPVL Hang DATE 02/21/06" DATE 2/17/09" DATE 02/02/09"	DATE 02/21/06" DATE 2/17/09" DATE 02/02/09"	宁波高正电子有限公司 DEGSON® DEGSON ELECTRONICS CO., LTD NAME DG332W-5.0-XXP-1Y-00A(H)
TOLERANCES EXCEPT AS NOTED MM .0 ± .00 ± .000 ±	ANGLES ± 1' THIRD ANGLE PROJECTION	MATERIAL: G.E.: FINISH: SCALE: 1:1 DRAWING NO. DG332W-5.0-E03 /PART NO. DO NOT SCALE DRAWING SHEET 1 OF 1