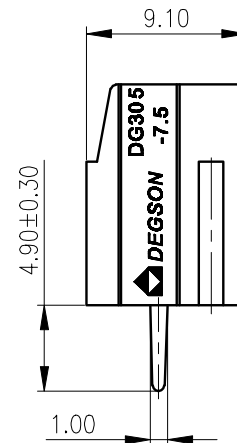
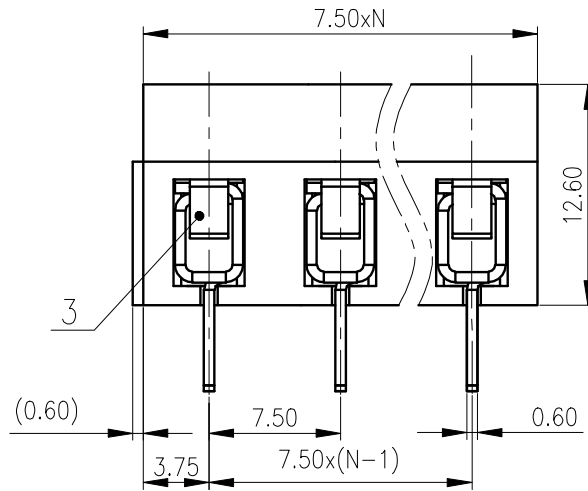
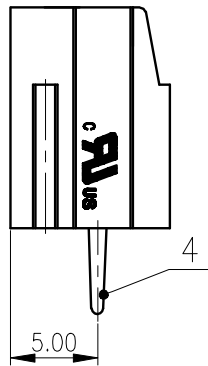
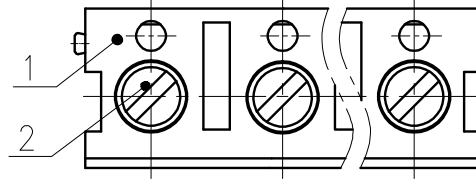


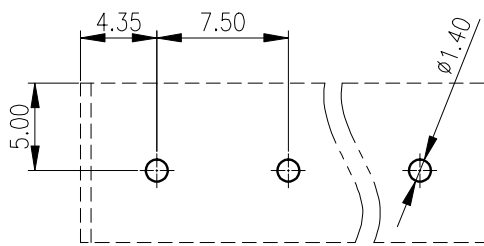
未注公差/General tolerances(mm)												0.1/10		
0	>3	>6	>10	>18	>30	>50	>80	>120	>180	>250	>315		>400	>500
~3	~6	~10	~18	~30	~50	~80	~120	~180	~250	~315	~400	~500	~2.50	±2'
±0.12	±0.18	±0.22	±0.26	±0.31	±0.37	±0.57	±0.80	±0.93	±1.05	±1.15	±1.60	±2.20	±2.50	



4	Pin	Copper alloy	M2.5/Sn Plated
3	Spring	Stainless steel	
2	Screw	Steel	M2.5/Zn Plated
1	Housing	PBT	UL94V-0

ITEM	NAME OF PART	MATERIAL	NOTES
UL 标准/UL Standard:			
额定电压/电涌/Rated Voltage(V)/Current(A)		B	C
		300/15	/ 300/10
IEC 标准/IEC Standard:			
额定电压/电涌/Rated Voltage(V)/Current(A)			450/20
工频耐压/Withstanding voltage(V/1Min)			AC2500
螺丝扭矩/Torque Tightening(N·m/Lb.in)			M2.5, 0.29/2.60
线径范围(硬线和软线)/Wire Range(rigid and flexible)(mm <sup>2</sup> /AWG)			1.0~2.5/22~14
间距/Pitch(mm)/线数范围/Poles			7.5/N=02~16P
剥线长度/Stripping length(mm)			6~7
使用温度范围/Operating temperature(°C)			-30~+120
符合RoHS环保要求/Conform to RoHS			Yes

PCB LAYOUT



MATERIAL:		SURFACE:	
MAT NO.:	/	<b>宁波高松电子有限公司</b> <b>NINGBO DEGSON ELECTRICAL CO., LTD</b>	
STATUS:	/		
APPD:	Lan ChH 2020.05.25	NAME: DG305-7.5-XXP-1Y-00A(H)	
CHKD:	Yu JZh 2020.05.25	DRAWING NO.: DG305-7.5-C02	
DRFT:	Li Zh 2020.05.25	REV	T1
④	SIZE: A4	TYPE: CUSTOMER DRAWING	SCALE: 2.5:1 SHEET 1/1

REV	ECN	DESCRIPTION	DRFT	DATE