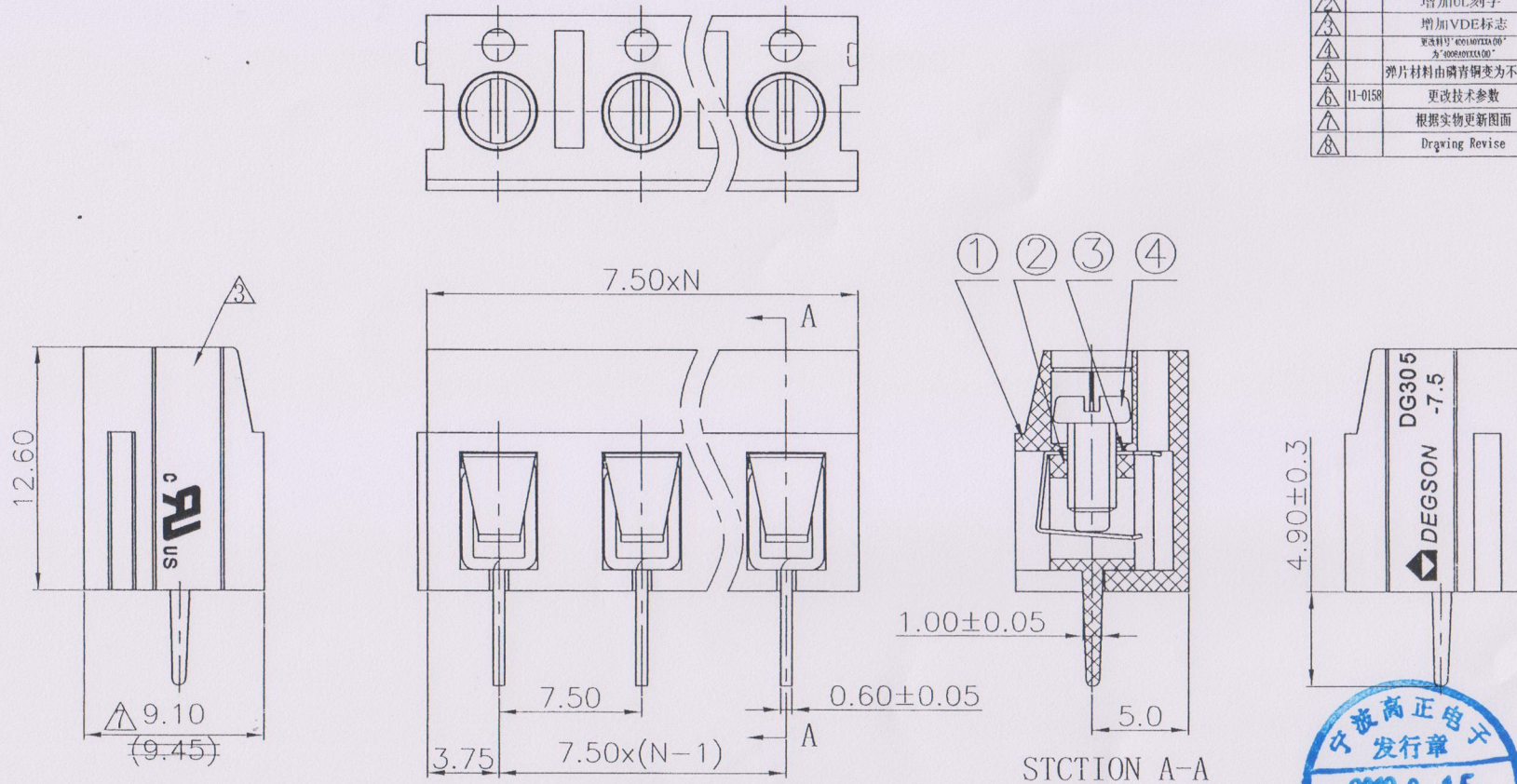


REVISION RECORD				
REV	ECO	DESCRIPTION	DRFT	DATE
△		Drawing Revise	Haoyh	03/28/06
△		增加UL刻字	CSX	06/18/07
△		增加VDE标志	LJH	12/21/07
△		更改材料“6061AL300”为“304SS300”	LJH	07/03/08
△		弹片材料由磷青铜变为不锈钢	YHG	07/07/09
△	11-0158	更改技术参数	lasting	06/10/11
△		根据实物更新图面	HXG	08/22/11
△		Drawing Revise	YHG	04/11/13



Notes:

- Pitch: 7.5mm, Poles: 2-XXP
- Rated voltage/current: UL 300V/15A
IEC 450V/20A △
- Operation temperatures: -30°C~+120°C
- Withstanding Voltage: AC2500V/1Min △
- Insulation Resistance: 5000MΩ/DC1000V
- Wire Range: 22~14AWG, 2.5mm² △
- Max. Torque Value: M2.5, 3.0kgf.cm
- Undimensioned Tolerances:

Pitch range in mm		Nominal dimension range in mm						
to	over	to	over	to	over	to	over	
6	10	10	30	30	60	100	150	∅
±0.10	±0.15	±0.25	±0.2	±0.3	±0.5	±0.7	±1.0	0.05/10

ITEM	NAME OF PART	NO. OF PART	Q'TY	MATERIAL	NOTES
4	DG305-Screws	S000001620 (H)	XX	Steel	Cr ³ Zn
3	DG305-Spring	X000000260 (H)	XX	Stainless steel	
2	DG305-Pin header	4003B00010 (H)	XX	Brass	SnCe
1	DG305-7.5-Housing	△4008A0YXXA (H)	1	PBT	UL94V-0

MM (INCH)		DFTO Haoyh	DATE 02/01/05	宁波高松电子有限公司	
TOLERANCES EXCEPT AS NOTED		CHKD	DATE	DEGSON [®] NINGBO DEGSON ELECTRICAL CO., LTD	
MFO		APPRV	DATE 5/28/13	NAME	
.00 ±				DG305-7.5-XXP-1Y-00A(H)	
.000 ±				DRAWING NO. DG305-7.5-E02	
MATERIAL :		G.E : Series DG305-7.5		SIZE	REV
ANGLES ± 1°		FINISH :		A3	T8
THIRD ANGLE PROJECTION		SCALE : 1:1		/PART NO.	
		DO NOT SCALE DRAWING		SHEET 1	OF 1