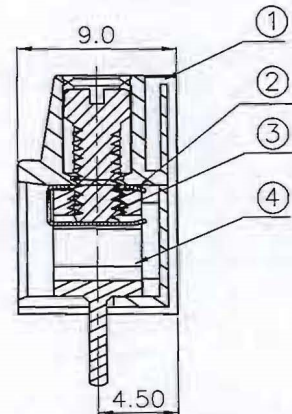
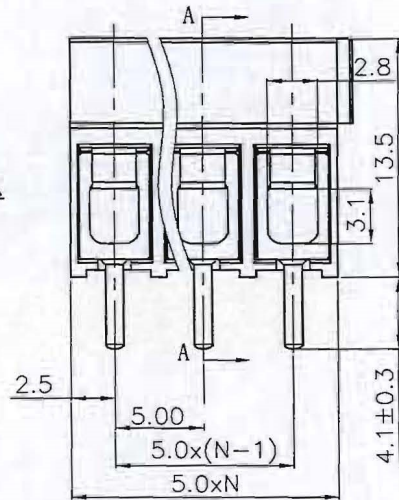
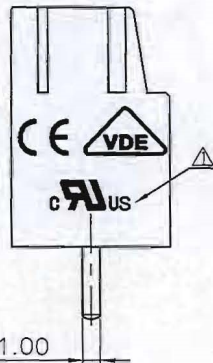
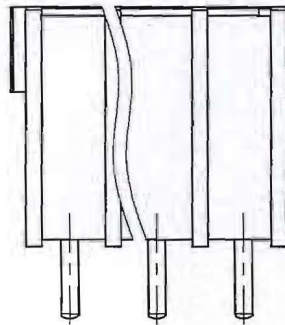
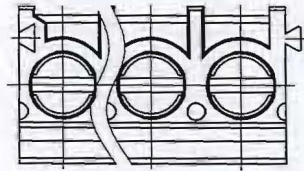
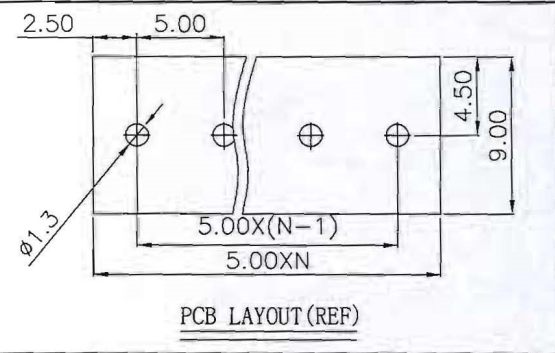


REVISION RECORD				
REV	ECN	DESCRIPTION	DRFT	DATE
△	10-0150	增加UL刻字	Lasting	08/09/10



Notes:

1. pitch: 5.0mm 2-12P
2. Rated voltage/current: UL 300V/20A
IEC 250V/25A
3. Insulation resistance: 5000MΩ/1000V
4. Withstanding voltage: AC2000V/1min
5. Wire range: 20-12AWG 0.5-4mm²
6. Temp, Range: -40° C~+105° C
7. Torque: 5.10kgf.cm
8. Undimensioned Tolerances:

Pitch range in mm		Nominal dimension range in mm						
	over 6 to 10	over 10 to 24	over 30 to 60	over 60 to 100	over 100 to 150	over 150		
to 6	±0.10	±0.15	±0.25	±0.2±0.3	±0.5±0.7	±1.0	0.05/0.10	

4	DG302 Pin header	4139B00010(H)	XX	Brass	SnCe
3	DG302 Screws	S000003320(H)	XX	Steel	Cr ³⁺ Zn
2	DG126 Spring	X000001760(H)	XX	Stainless steel	

ITEM	NAME OF PART	NO. OF PART	Q'TY	MATERIAL	NOTES
1	DG302V-5.0-Housing	4139A0YXXA(H)	1	PA66	UL94V-0

MM (INCH)	DFTO Linda	DATE 07/01/08	宁波高松电子有限公司 NINGBO DEGSON ELECTRICAL CO., LTD
TOLERANCES EXCEPT AS NOTED	CHKD. <i>Long</i>	DATE 2009.11.28	
	MFO	DATE	
MM	APPLY <i>Long</i>	DATE 2009.11.29	NAME
.0 ±			DG302-5.0-XXP-1Y-00A(H)
.00 ±			DRAWING NO. DG302-5.0-E01
.000 ±			/PART NO.
ANGLES ± 1°	G.E Series DG302-5.0		SIZE REV
THIRD ANGLE PROJECTION	FINISH:		A3 T1
	SCALE: 1:1		08/09/10
	DO NOT SCALE DRAWING	SHEET 1	OF 1

文管中心
研究专用
2013.11.30
(仅限内部使用, 对外作废)