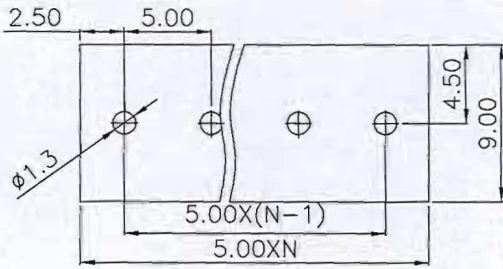
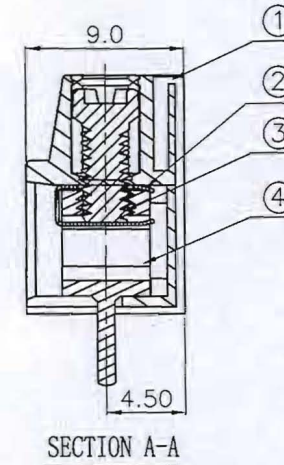
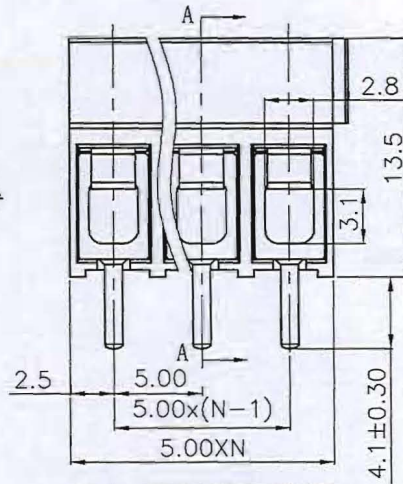
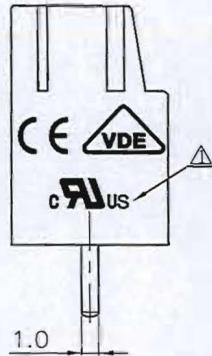
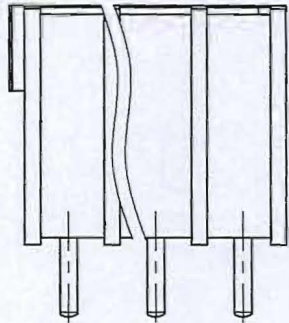
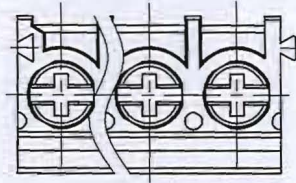


D1RFRD006

REVISION RECORD					
REV	ECN	DESCRIPTION	DRFT	DATE	
△	10-0150	增加UL刻字	Lasting	08/09/10	



PCB LAYOUT (REF)



Notes:

- pitch: 5.0mm 2-12P
- Rated voltage/current: UL 300V/20A
IEC 250V/25A
- Insulation resistance: 5000MΩ/1000V
- Withstanding voltage: AC2000V/1Min
- Wire range: 20-12AWG 0.5-4mm²
- Temp, Range: -40° C ~ +105° C
- Torque: 5.10kgf.cm
- Undimensioned Tolerances:

Pitch range in mm		Nominal dimension range in mm								
to	over	to	over	to	over	to	over			
6	6	10	10	24	30	30	60	100	150	∩
6	10	24	30	60	60	100	100	150	150	□
±0.10	±0.15	±0.25	±0.2	±0.3	±0.5	±0.7	±1.0	±0.05/0.10		

4	DG302 Pin header	4139B00010 (H)	XX	Brass	SnCe
3	DG302 Screws	S000003390 (H)	XX	Steel	Cr ³⁺ Zn
2	DG126 Spring	X000001760 (H)	XX	Stainless steel	

ITEM	NAME OF PART	NO. OF PART	Q'TY	MATERIAL	NOTES
1	DG302V-5.0-Housing	4139A0YXXA (H)	1	PA66	UL94V-0

DFTO Linda CHKD Jay Z MFO APPVL Lench DATE 07/01/08 DATE 2010.11.28 DATE 2010.11.29	DEGSON DEGSON ELECTRONICS CO., LTD NAME DG302-5.0-XXP-1Y-02A(H) DRAWING NO. DG302-5.0-E02 /PART NO. DO NOT SCALE DRAWING	SIZE A3 REV T1 08/09/10
-------------------------------------------------------------------------------------------------------	--------------------------------------------------------------------------------------------------------------------------------------------	-------------------------------------

SCALE : 1:1	SHEET 1 OF 1
-------------	--------------



8 | 7 | 6 | 5 | 4 | 3 | 2 | 1