

H

G

F

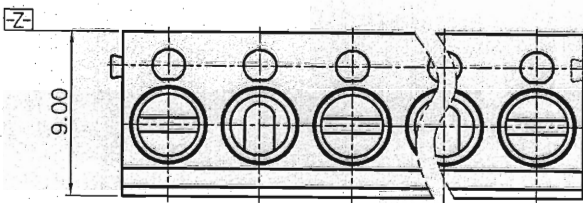
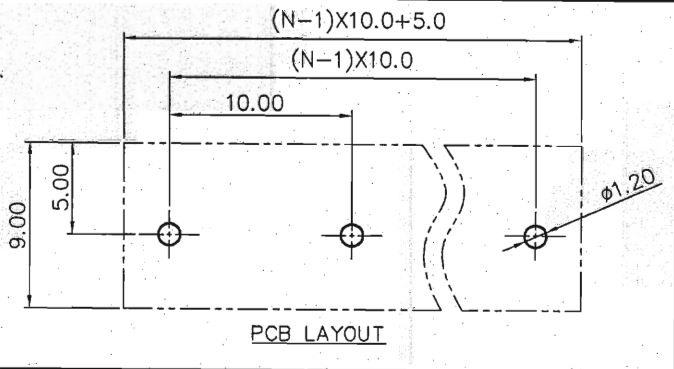
E

D

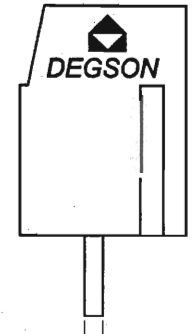
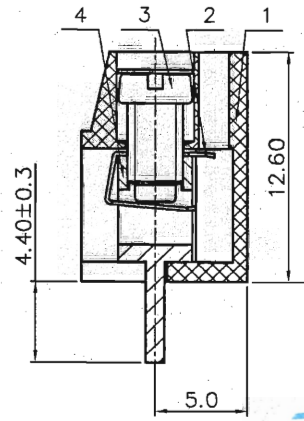
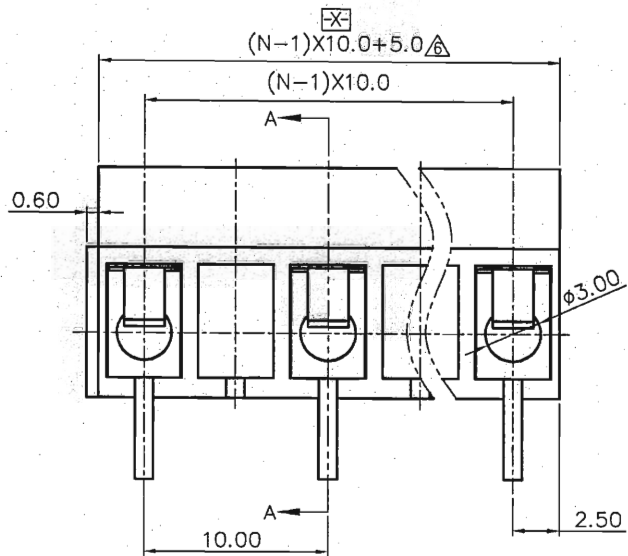
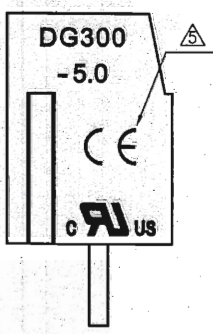
C

B

A



REVISION RECORD				
REV	ECN	DESCRIPTION	DRFT	DATE
△		Drawing Revise	Haoyh	03/14/06"
△		增加VDE、CE标志	LJH	12/24/07"
△		更新图面	LJH	02/26/09"
△	12-0269	Drawing Revise	YHG	12/27/12"
△	14-0291	更新图框、增加“CE”刻字	yangang	08/28/14"
△	15-0292	依照实物修订尺寸	Song	07/13/15"



- NOTES:
- 1.DIMENSION SHALL BE INTERPRETED PER ASME Y14.5-2009.
 - 2.PITCH:10.0MM ,POLES:02-12P
 - 3.RATED VOLTAGE/CURRENT: UL 300V/10A IEC 250V/24A
 - 4.OPERATION TEMPERATURES: -30℃~+120℃
 - 5.WITHSTANDING VOLTAGE: AC2000V/1MIN
 - 6.WIRE RANGE: 22~14AWG,2.5MM²
 - 7.MAX.TORQUE VALUE:M3.0;3.0kgf.cm
 - 8.UNDIMENSIONED TOLERANCES:

PITCH RANGE IN MM			NOMINAL DIMENSION RANGE IN MM				TOLERANCE
TO	OVER	OVER	TO	OVER	OVER	OVER	
6	6 TO 10	10 TO 24	30	30 TO 60	60 TO 100	100 TO 150	±0.10
							±0.15
							±0.25
							±0.20
							±0.30
							±0.50
							±0.70
							±1.00
							0.05/10

文管中心
研发专用
2015.07.17
(仅限内部使用, 对外无效)

1	DG300-5.0-housing	4007AYY(2XX-1)A(H)	1	PBT	UL94V-0
ITEM	NAME OF PART	NO. OF PART	Q'TY	MATERIAL	NOTES

TOLERANCES EXCEPT AS NOTED		MATERIAL:		FINISH:		PART NO.:		NAME:	
.X ±	.XX ±	.X ±	Steel					DEGSON® 宁波高正电子有限公司 DEGSON ELECTRONICS CO., LTD	
.XXX ±	.XXX ±	.XXX ±	Zn Plated	APPD: <i>Baron 7/14/15</i>		TITLE: ASSEMBLY DRAWING		REV	T6
ANGLES ± 1°		THIRD ANGLE PROJECTION		CHKD: <i>ks 7/14/15</i>		DRAWING NO.: DG300-5.0-E18			
				DRFT: CSX 03/10/05		DO NOT SCALE DRAWING		SCALE	N/A
						SHEET		1/1	

4	DG300(A) Pin header	4001B00010(H)	XX	Brass	Sn Plated
3	DG300 Screws	S000001380(H)	XX	Steel	Zn Plated
2	DG300 Spring	X000000230(H)	XX	Stainless Steel	