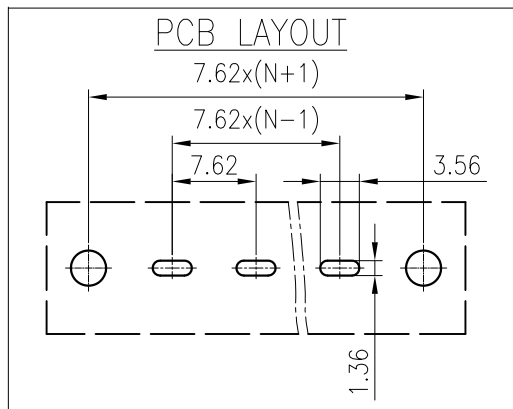
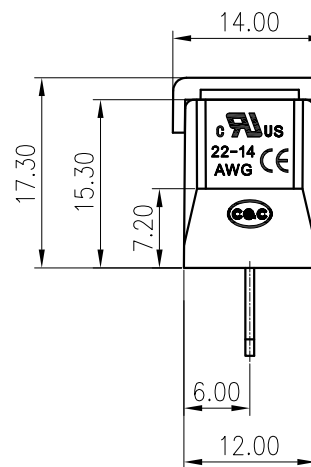
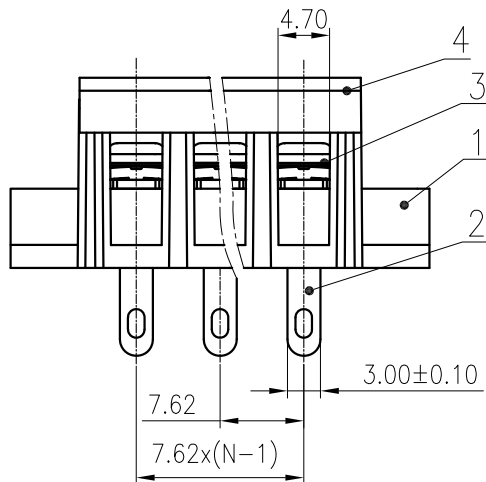
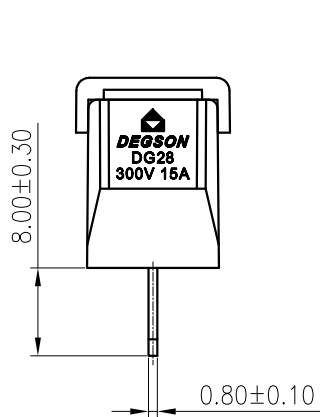
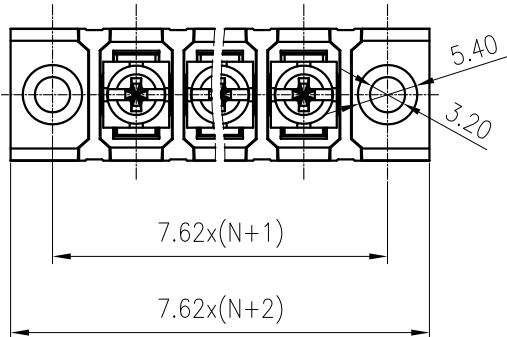


未注公差/General tolerances(mm)												0.1/10	
0	>3	>6	>10	>18	>30	>50	>80	>120	>180	>250	>315		>400
~3	~6	~10	~18	~30	~50	~80	~120	~180	~250	~315	~400	~500	~2.50
±0.12	±0.18	±0.22	±0.26	±0.31	±0.37	±0.57	±0.80	±0.93	±1.05	±1.15	±1.60	±2.20	±2.50

(Without Cover)



4	Cover	PC	UL94V-2
3	Screw	Steel	M3/Ni Plated
2	Pin header	Copper alloy	M3/Sn Plated
1	Housing	PA66	UL94V-0
ITEM	NAME OF PART	MATERIAL	NOTES
UL 标准/UL Standard:		B	C
额定电压/电流/Rated Voltage(V)/Current(A)		300/15	300/10
IEC 标准/IEC Standard:			D
过压类别/Overvoltage Category/污染等级/Pollution Degree		III/3	III/2
额定电压/电流/Rated Voltage(V)/Current(A)		300/24	300/24
额定脉冲电压(KV)/Rate Impulse Voltage(KV)		5	5
螺丝扭矩/Torque Tightening(N·m/Lb.in)		M3, 0.5/4.43	
线径范围(硬线和软线)/Wire Range(rigid and flexible)(AWG)		22~14	
间距/Pitch(mm)/线数范围/Poles		7.62/N=02~24P	
剥线长度/Stripping length(mm)		7	
使用温度范围/Operating temperature(°C)		-40~+105	
符合RoHS环保要求/Conform to RoHS		Yes	

MATERIAL:	/	SURFACE:	/
MAT NO.:	/	宁波高松电子有限公司 NINGBO DEGSON ELECTRICAL CO., LTD	
STATUS:	/		
APPD:	/	NAME: DG28H-A-XXP-1Y-00A(H)	
CHKD:	/		
DRFT: CenMZ 2020.05.29		DRAWING NO.: DG28H-C01	REV TO
REV	ECN	DESCRIPTION	DRFT DATE
⊕	≡	SIZE: A4	mm (inch)
TYPE: CUSTOMER DRAWING		SCALE: 1.5:1	SHEET 1/1