

REVISION RECORD				
REV	ECN	DESCRIPTION	DRFT	DATE

IEC Standard

1. Pollution degree	3	2	2
Overvoltage category	III	III	II
Rate impulse voltage(KV)	8.0KV	8.0KV	8.0KV
Rate voltage(V)	630V	1000V	1000V
Rate current(A)	41A		

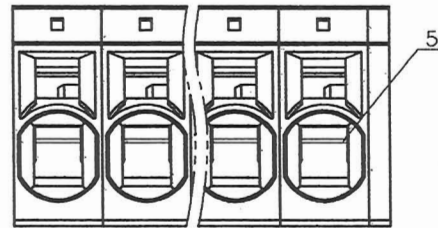
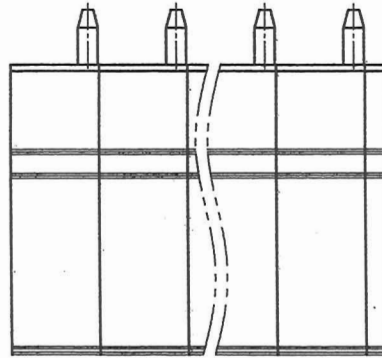
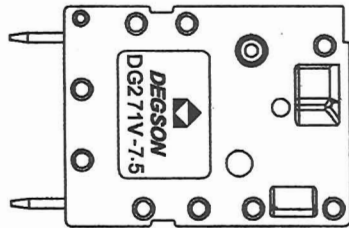
2. Wire range : 0.2~6mm²

NOTES2:

- 1.Dimension shall be interpreted per ASME Y14.5-2009
- 2.Pitch : 7.5mm, Poles : N=01~xxP
- 3.Stripping length : 14~15mm
- 4.Operating temperature:-40°C~+105°C
- 5.Undimensioned tolerances:

Pitch range in mm			Nominal dimension range in mm								
TO	Over 6 TO	Over 10 TO	TO	Over 30 TO	Over 60 TO	Over 100 TO	Over 150 TO	0.1/10			
6	10	24	30	60	100	150		<			
			±0.15	±0.20	±0.30	±0.30	±0.50	±0.70	±1.00	±1.30	±2'

6.RoHS Compliance

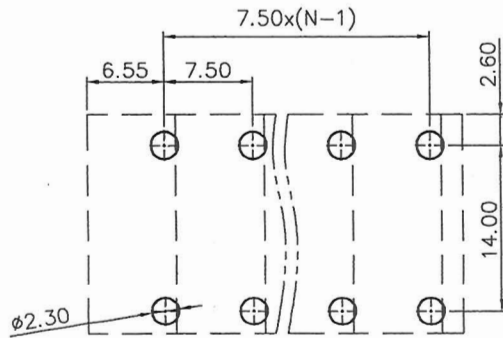
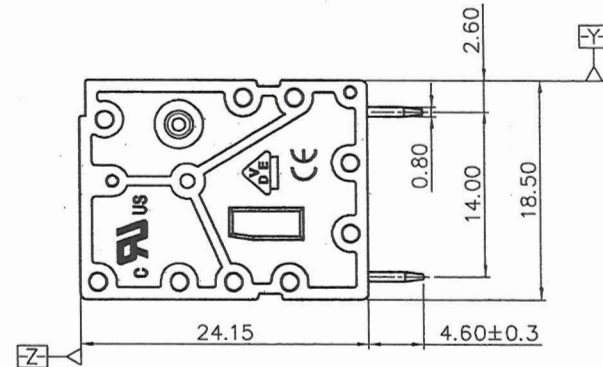


NOTES1:

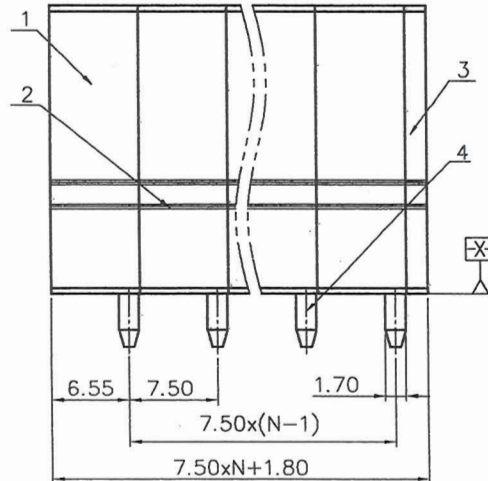
UL Standard

- 1.Rated voltage/current : 300V / 40A
- 2.Withstanding voltage : AC1600V/1Min.
- 3.Wire range : 24~8AWG

DG271V - 7.5 - XXP - 1Y - 00A (H)
 (Series No.) (Pitch) (Poles) (Single Pitch) (Color):1.(Grey)
 (RoHS)
 00A-(Standard)
 2.(Blue)
 3.(Black)
 4.(Green)
 5.(Orange)
 6.(Red)
 7.(Transparent)
 8.(Yellow)
 9.(White)



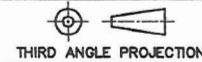
PCB LAYOUT



齐策专用
 2016.10.21
 (收限内部使用,对外无效)

ITEM	NAME OF PART	MATERIAL	NOTES
5	Spring	Stainless steel	
4	Double terminal	Copper	Sn-Plated
3	Cover	PA66	UL94V-0
2	Center housing	PA66	UL94V-0
1	End housing	PA66	UL94V-0

PART NO.: /		宁波高松电子有限公司 NINGBO DEGSON ELECTRICAL CO., LTD	
APPD: Aaron Phat	NAME: DG271V-7.5-XXP-1Y-00A(H)		
CHKD: Frank 9/28-16	TITLE: CUSTOMER DRAWING		
DRFT: XLM 2013/11/22	REV	TO	
	DRAWING NO.: DG271V-7.5-C01	SHEET	1/1
	DO NOT SCALE DRAWING	SCALE	1:1



THIRD ANGLE PROJECTION