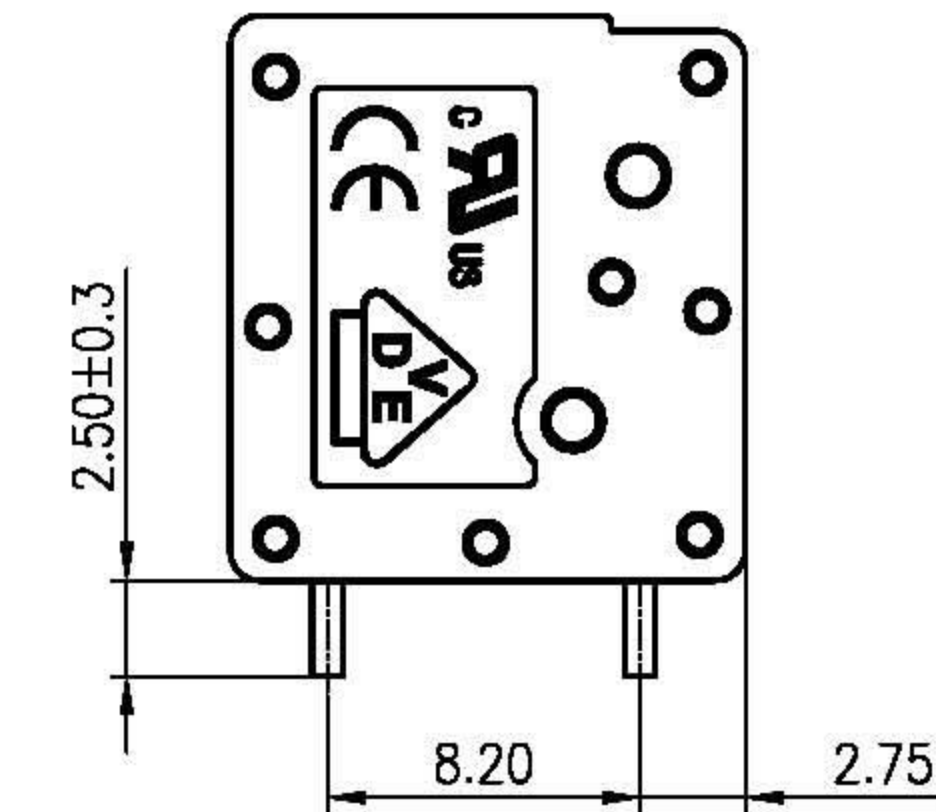
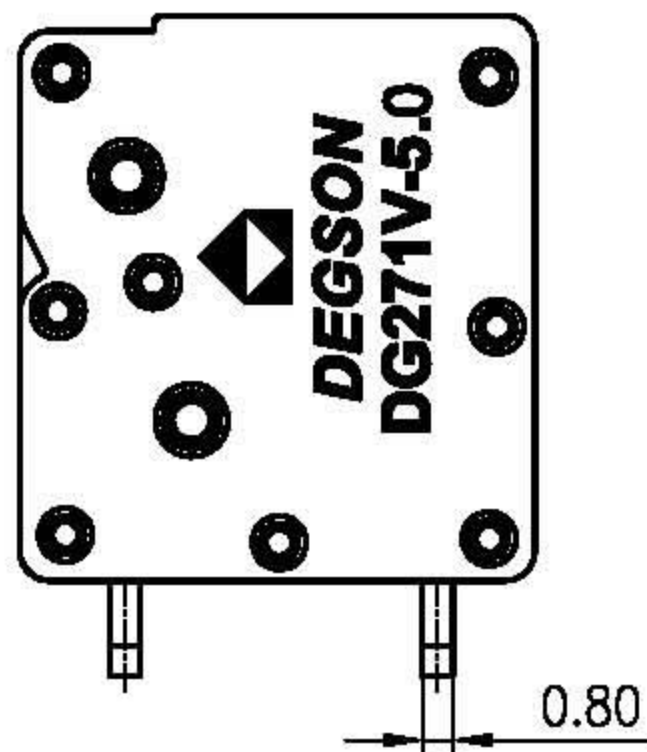
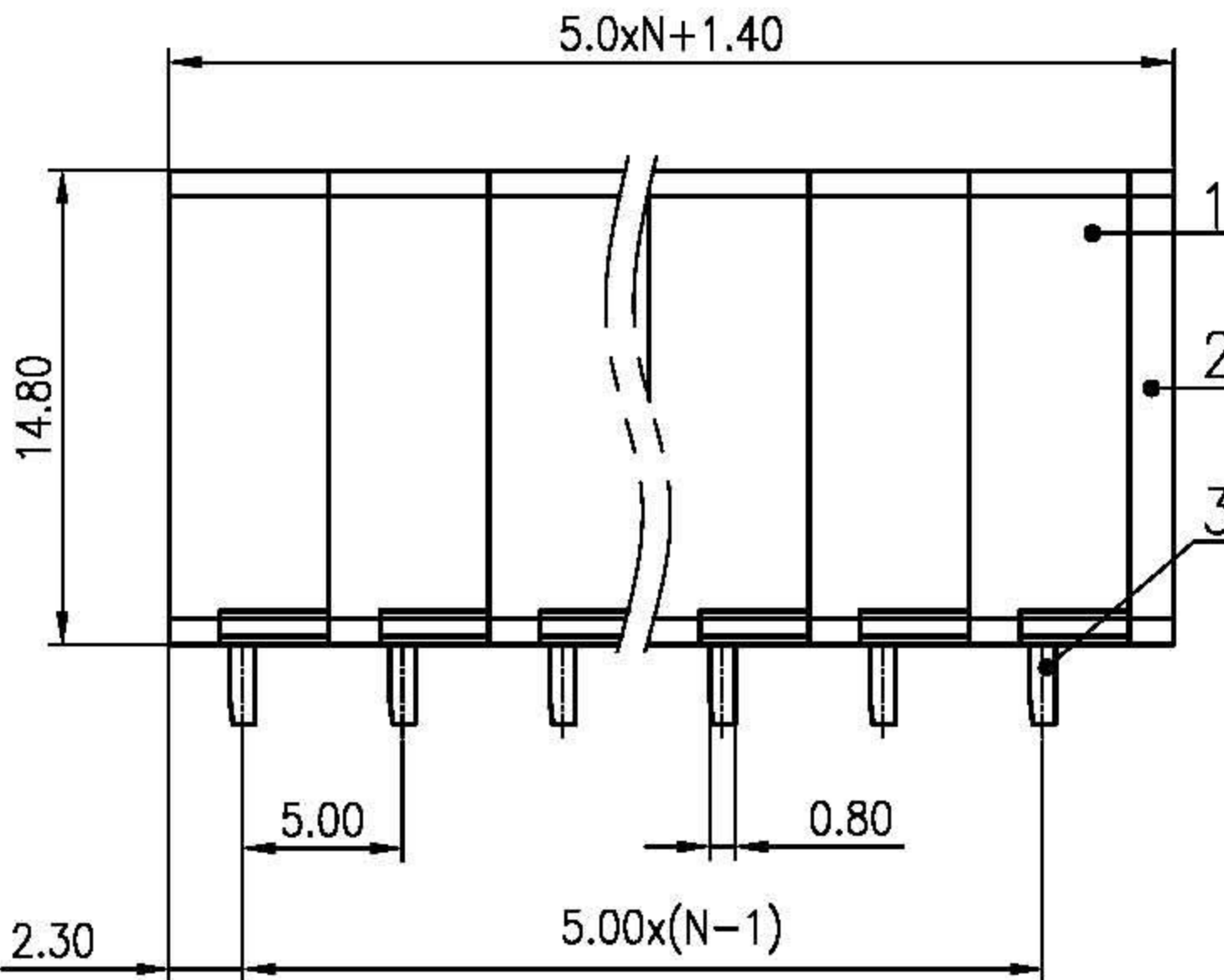
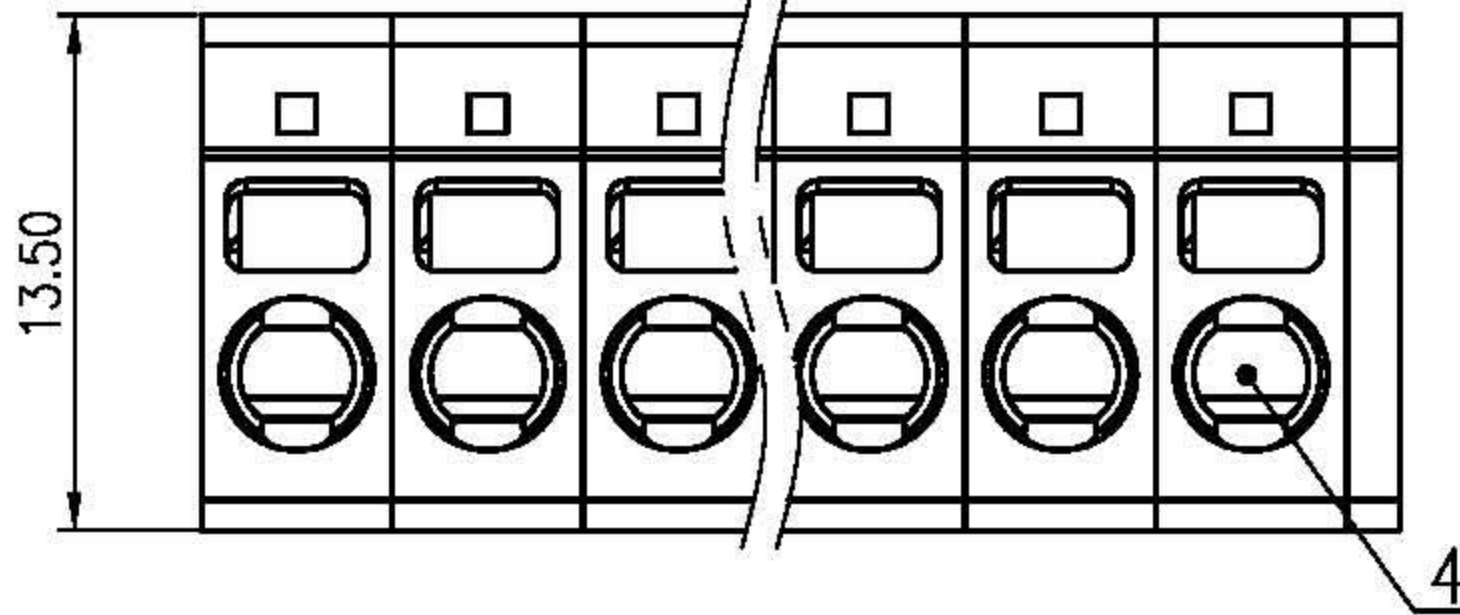
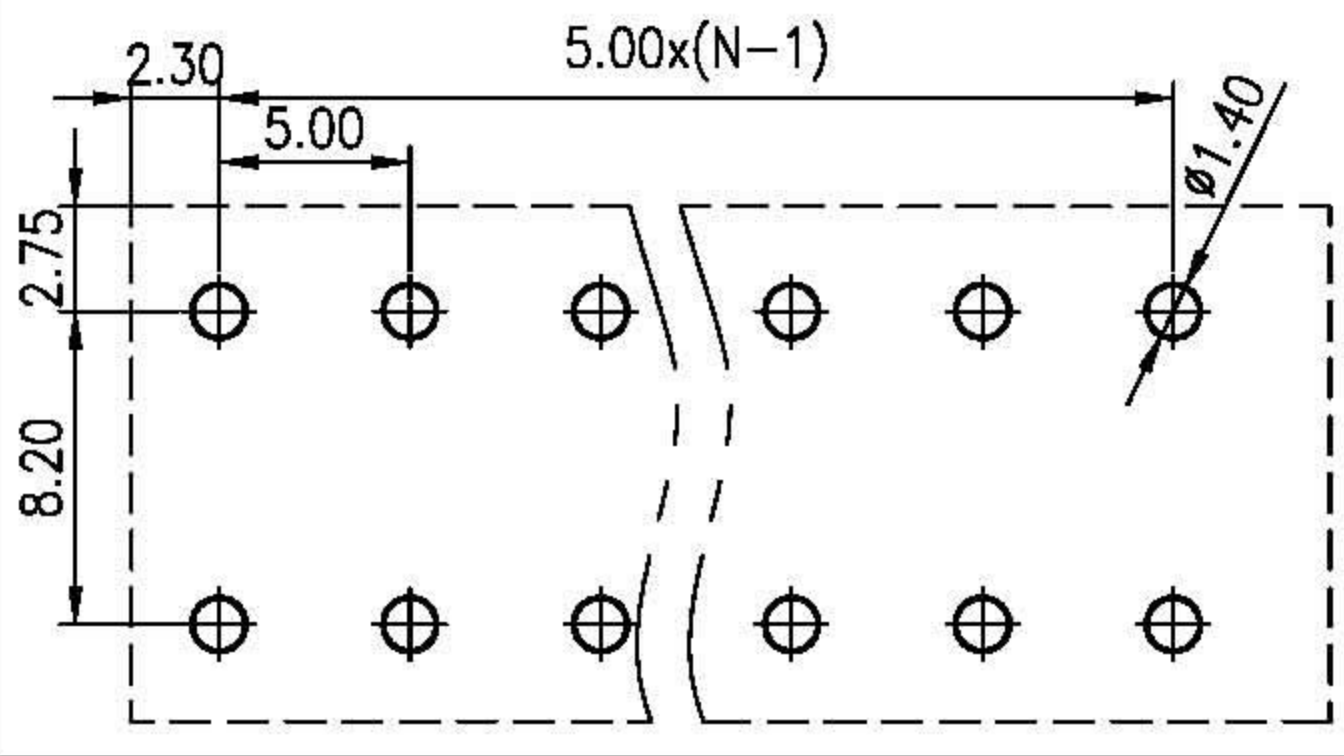
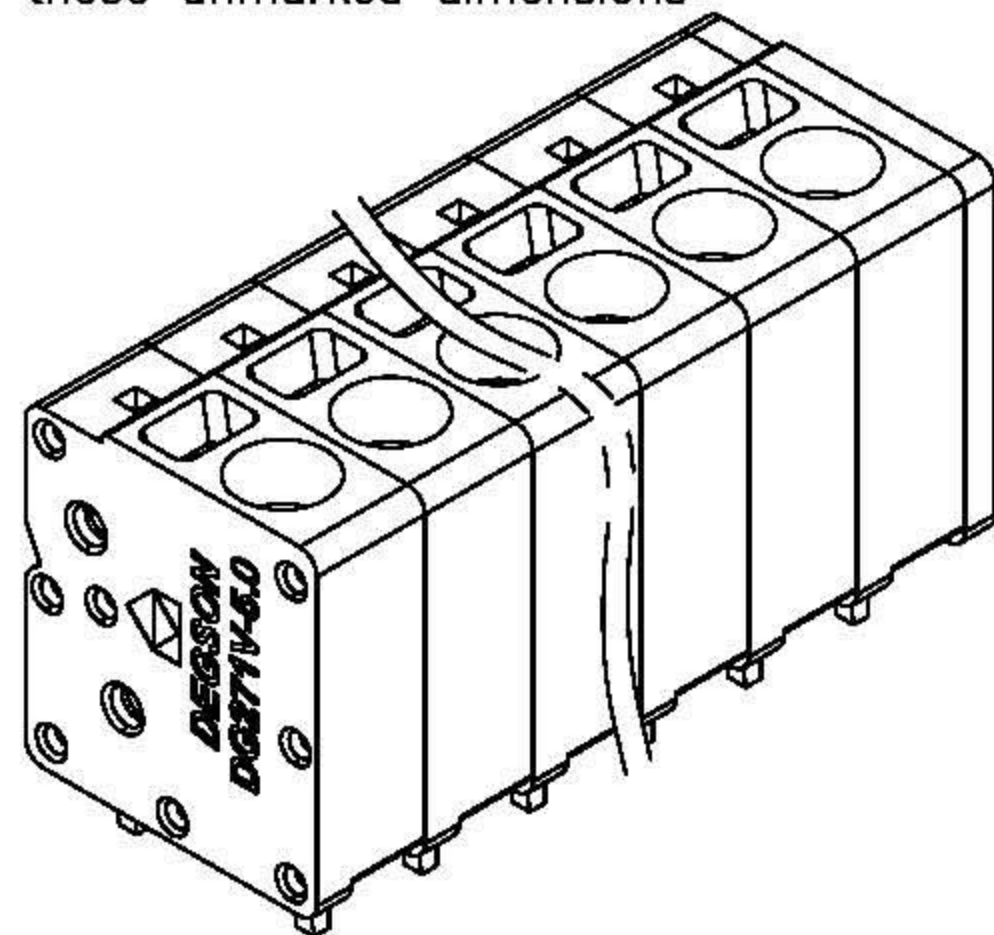


PCB LAYOUT



Please refer to the 3D model, for those unmarked dimensions



未注公差/General tolerances(mm)													0.1/10
0	>3	>6	>10	>18	>30	>50	>80	>120	>180	>250	>315	>400	
~3	~6	~10	~18	~30	~50	~80	~120	~180	~250	~315	~400	~500	~500
±0.12	±0.18	±0.22	±0.26	±0.31	±0.37	±0.57	±0.80	±0.93	±1.05	±1.15	±1.60	±2.20	±2.50
UL 标准/UL Standard:											B	C	D
额定电压/电流/Rated Voltage(V)/Current(A)											300/20	/	/
EC 标准/IEC Standard:													
过压类别/Overvoltage Category/污染等级/Pollution Degree											III/3	III/2	II/2
额定电压/电流/Rated Voltage(V)/Current(A)											250/24	400/24	630/24
额定脉冲电压(KV)/Rate Impulse Voltage(KV)											4	4	4
线径范围(硬线和软线)/Wire Range(rigid and flexible)(AWG/mm ²)											24~12/0.2~2.5,4(Sol)		
间距/Pitch(mm)/线数范围/Poles											5.0/N=01~24P		
剥线长度/Stripping length(mm)											10		
使用温度范围/Operating temperature(°C)											-40~+105		
符合RoHS环保要求/Conform to RoHS											Yes		

4	Spring	Stainless steel	/
3	Pin header	Copper	Sn plated
2	Cover	PA66	UL94V-0
1	Housing	PA66	UL94V-0
ITEM	NAME OF PART	MATERIAL	NOTES

MATERIAL: /		SURFACE: /	
MAT NO.: Series DG271V-5.0		宁波高松电子有限公司 DEGSON® Ningbo Degson Electrical Co., Ltd.	
STATUS: /			
APPD: Li GL 2021.01.04		NAME: DG271V-5.0-XXP-1Y-00A(H)	
CHKD: Mao J 2021.01.04		DRAWING NO.: DG271V-5.0-C01	
DRFT: Ma EK 2016.06.06		REV: T3	
⑬ REV ECN DESCRIPTION DRFT DATE		TYPE: CUSTOMER DRAWING SCALE: 2.5:1 SHEET 1/1	

⑬	/	Drawing update	Chen K	2021.01.04
REV	ECN	DESCRIPTION	DRFT	DATE

Transfer or duplication of this document as well as the utilization or communication of its contents are prohibited unless explicit authorization is granted. Violations will be liable for compensation. All rights reserved for patent, utility model or designs registrations. 除非给予明确授权, 否则禁止转让、复制、利用、交流本文件的内容。 本公司保留对涉及发明、实用新型和外观设计的所有权利。