

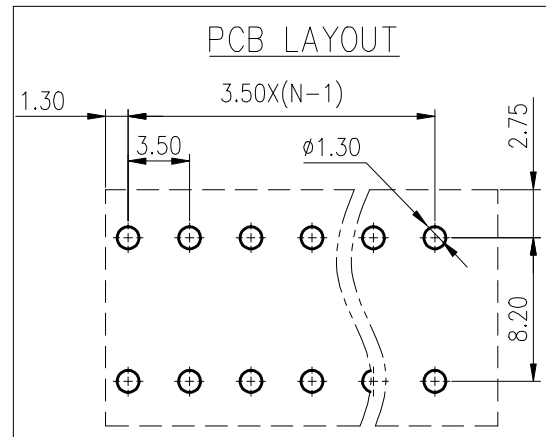
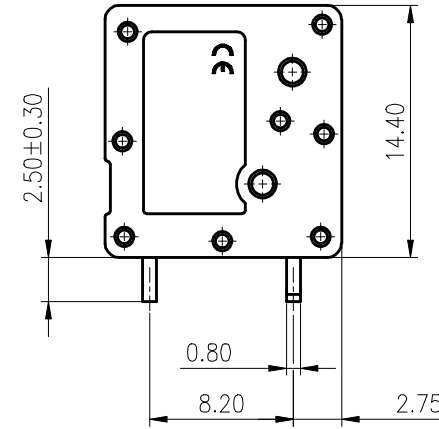
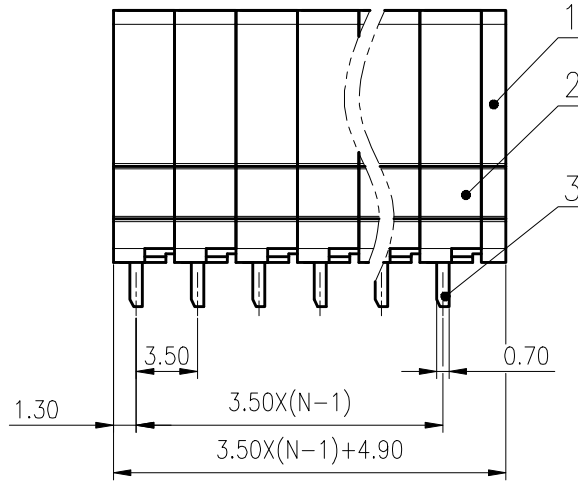
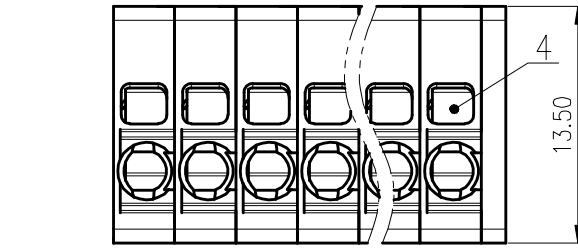
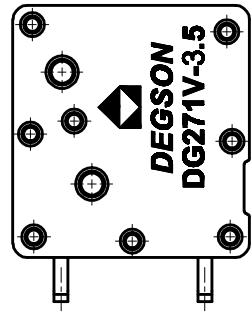
未注公差/General tolerances(mm)											0.1/10		
0	>3	>5	>10	>18	>30	>50	>80	>120	>180	>250		>315	>400
±0.12	±0.18	±0.22	±0.26	±0.31	±0.37	±0.57	±0.80	±0.93	±1.05	±1.15	±1.60	±2.20	±2.50

A

B

C

D



ITEM	NAME OF PART	MATERIAL	NOTES
4	Spring	Stainless steel	
3	Pin header	Copper	Sn Plated
2	Housing	PA66	UL94V-0
1	Cover	PA66	UL94V-0

JL 标准/UL Standard:	B	C	D
额定电压/电流/Rated Voltage(V)/Current(A)	300/10	/	/
EC 标准/IEC Standard:			
过压类别/Overvoltage Category/污染等级/Pollution Degree	III/3	III/2	II/2
额定电压/电流/Rated Voltage(V)/Current(A)	160/17.5	200/17.5	400/17.5
额定脉冲电压(KV)/Rate Impulse Voltage(KV)	2.5	2.5	2.5
线径范围(硬线和软线)/Wire Range(rigid and flexible)(mm ² /AWG)	0.2~1.5/24~16		
间距/Pitch(mm)/线数范围/Poles	3.5/N=01~24P		
剥线长度/Stripping length(mm)	10		
使用温度范围/Operating temperature(°C)	-40~+105		
符合RoHS环保要求/Conform to RoHS	Yes		

REV	ECN	DESCRIPTION	DRFT	DATE

MATERIAL: /	SURFACE: /		
MAT NO.: /	宁波高松电子有限公司 NINGBO DEGSON ELECTRICAL CO., LTD		
STATUS: /	NAME: DG271V-3.5-XXP-1Y-00A(H)		
APPD: LiGL 2020.06.15	DRAWING NO.: DG271V-3.5-C01		REV T1
CHKD: MaoJ 2020.06.15	TYPE: CUSTOMER DRAWING		SCALE: 2.5:1 SHEET 1/1
DRFT: MaEK 2019.12.23	SIZE: A4	mm (inch)	