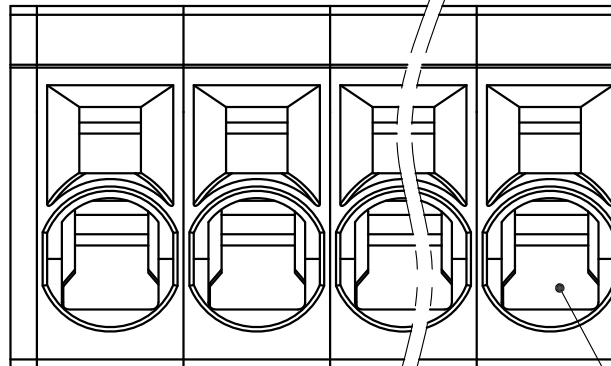
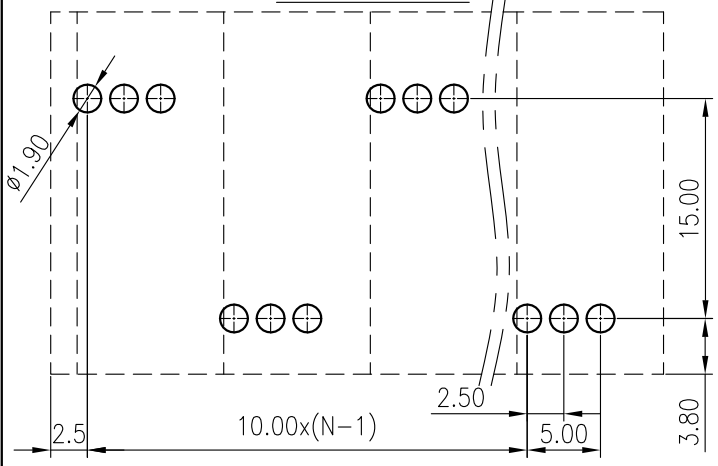
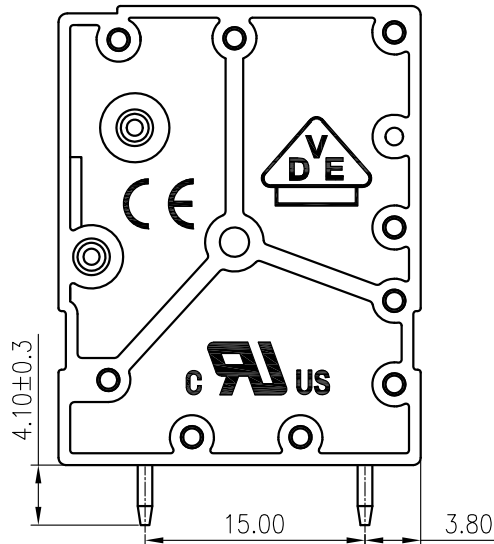


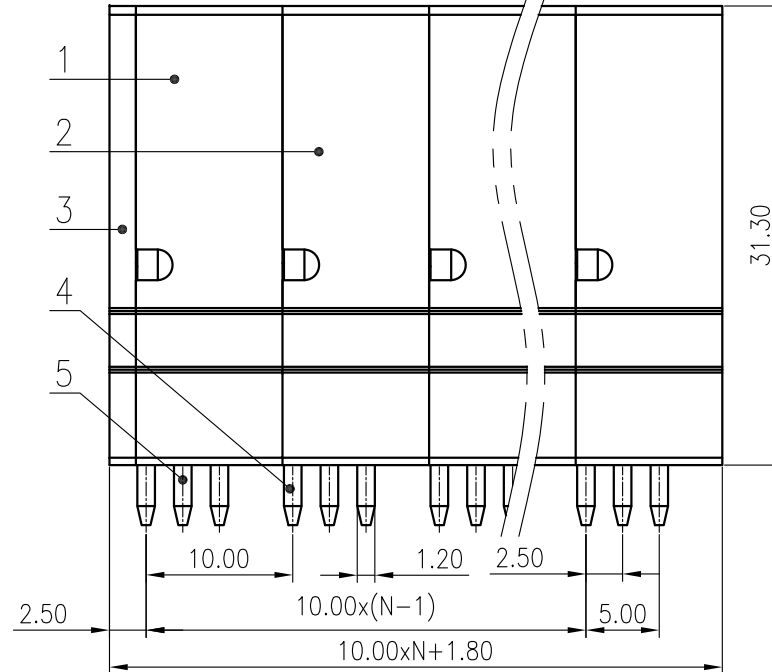
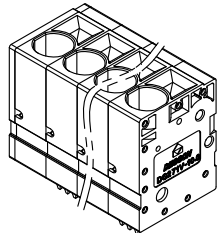
PCB LAYOUT



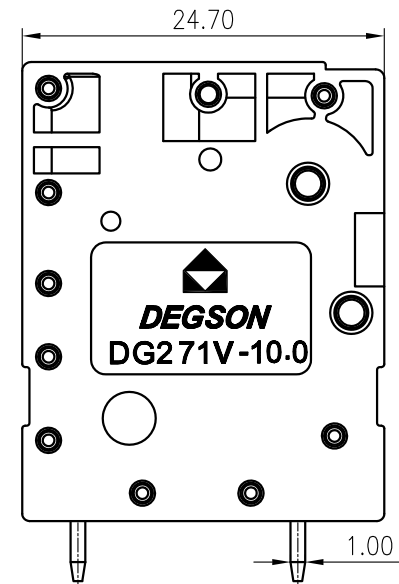
未注公差/General tolerances(mm)														
0	>3	>6	>10	>18	>30	>50	>80	>120	>180	>250	>315	>400	0.1/10 ±2'	
~3	~6	~10	~18	~30	~50	~80	~120	~180	~250	~315	~400	~500		
±0.12	±0.18	±0.22	±0.26	±0.31	±0.37	±0.57	±0.80	±0.93	±1.05	±1.15	±1.60	±2.20	±2.50	
JL 标准/UL Standard:											B	C	D	
额定电压/电流/Rated Voltage(V)/Current(A)											600/70	600/70	600/5	
IEC 标准/IEC Standard:														
过压类别/Overvoltage Category/污染等级/Pollution Degree											III/3	III/2	II/2	
额定电压/电流/Rated Voltage(V)/Current(A)											1000/76	1000/76	1000/76	
额定脉冲电压(KV)/Rate Impulse Voltage(KV)											8	8	8	
线径范围(硬线和软线)/Wire Range(rigid and flexible)(AWG/mm <sup>2</sup> )											20~4/0.2~16			
间距/Pitch(mm)/线数范围/Poles											10.0/02P~24P			
剥线长度/Stripping length(mm)											17~18			
使用温度范围/Operating temperature(°C)											-40~+105			
符合RoHS环保要求/Conform to RoHS											Yes			



Please refer to the 3D model, for those unmarked dimensions



**DG271V-10.0-DA-XXP-1Y-100AH**  
**DG271V-10.0-DA - series**  
**XXP - number of Poles (number of Pins)**  
**1 - single-row**  
**Y - color of housing (1 - grey color)**  
**100AH - no value**



4	Pin header 2	Copper	Sn plated
3	Cover	PA66	UL94V-0
2	Housing 2	PA66	UL94V-0
1	Housing 1	PA66	UL94V-0
ITEM	NAME OF PART	MATERIAL	NOTES

MATERIAL: /		SURFACE: /	
MAT NO.:	/		
STATUS:	/		
APPD: Li GL 2020.12.28	NAME: 宁波高松电子有限公司 NINGBO DEGSON ELECTRICAL CO., LTD		
CHKD: Mao J 2020.12.28	DG271V-10.0-DA-XXP-1Y-100A(H)		
DRFT: Chen K 2020.12.28	DRAWING NO.: DG271V-10.0-DA-C07		REV T1
SIZE: A4	SCALE: 2:1	SHEET 1/1	

6	Spring	Stainless steel	/
5	Pin header 1	Copper	Sn plated
ITEM	NAME OF PART	MATERIAL	NOTES

REV	ECN	DESCRIPTION	DRFT	DATE
(T1)	/	Drawing update	Chen K	2020.12.28

Transfer or duplication of this document as well as the utilization or communication of its contents are prohibited unless explicit authorization is granted. Violations will be liable for compensation. All rights reserved for patent, utility, model or designs registrations. 除非给予明确授权，否则禁止转让、复制、利用、交还本文件的内容。侵犯者将承担法律责任。本公司保留专利及设计的所有权利。