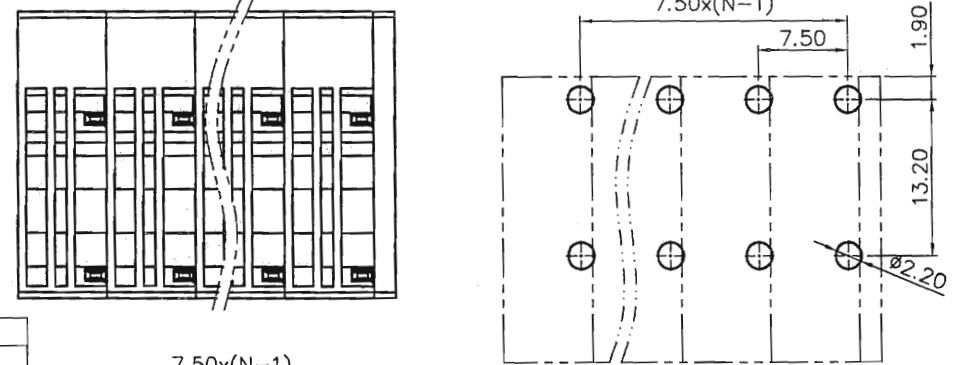
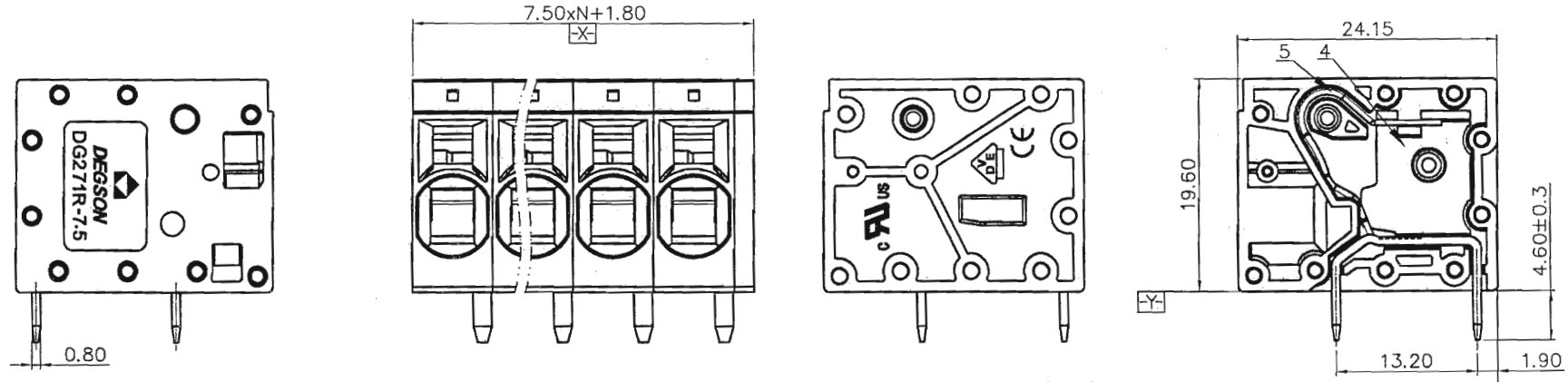


REVISION RECORD				
REV	ECN	DESCRIPTION	DRFT	DATE



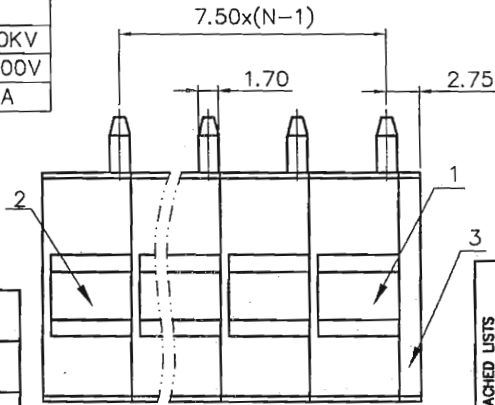
文管中心  
 研发专用  
 2015.06.12  
 (仅限内部使用, 对外无效)

- NOTES:
- 1.DIMENSION SHALL BE INTERPRETED PER ASME Y14.5-2009.
  - 2.PITCH: 7.5MM ,POLES: N=01-XXP
  - 3.UL: 300V/40A
  - 4.VDE:

POLLUTION DEGREE	3	2	2
OVERVOLTAGE CATEGORY	III	III	II
RATED IMPULSE VOLTAGE(KV)	8.0KV	8.0KV	8.0KV
RATED VOLTAGE(V)	630V	1000V	1000V
RATED CURRENT(A)	41A	41A	41A

- 5.LOWER LIMIT TEMPERATURE: -40°C
- 6.UPPER LIMIT TEMPERATURE: +105°C
- 7.WIRE RANGE: 24AWG~8AWG,0.2MM<sup>2</sup>~6.0MM<sup>2</sup>
- 8.STRIPPING LENGTH: 14~15MM
- 9.UNDIMENSIONED TOLERANCES:

PITCH RANGE IN MM		NOMINAL DIMENSION RANGE IN MM						
TO	OVER	TO	TO	TO	TO	TO	OVER	
6	10	24	30	60	100	150	150	□
±0.10	±0.15	±0.25	±0.20	±0.30	±0.50	±0.70	±1.00	0.05/10



P.C.B LAYOUT

ITEM	NAME OF PART	NO. OF PART	Q'TY	MATERIAL	NOTES
5	DG271V/R-7.5-SPRING	X000005300(H)	XX	STAINLESS STEEL	
4	DG271R-7.5-DOUBLE TERMINAL	3093B00010(H)	XX	COPPER	SN PLATED
3	DG271R-7.5-COVER	3093CYY01A(H)	1	PA66	UL94V-0
2	DG271R-7.5-END HOUSING	3093AYY01C(H)	1	PA66	UL94V-0
1	DG271R-7.5-CENTER HOUSING	3093AYY01A(H)	XX-1	PA66	UL94V-0

DETACHED LISTS	MM (INCH)	MATERIAL:	宁波高正电子有限公司	
	TOLERANCES EXCEPT AS NOTED	FINISH:	<b>DEGSON</b> ® DEGSON ELECTRONICS CO., LTD	
	.X ± .XX ± .XXX ±	PART NO.:	NAME: DG271R-7.5-XXP-1Y-00A(H)	
	ANGLES ± 1°	APPD: <i>Am 6/10-15</i>	TITLE: ASSEMBLY DRAWING	REV
THIRD ANGLE PROJECTION	CHKD: <i>Xm 6/10/15</i>	DRAWING NO.: DG271R-7.5-E01		
	DRFT: XLM 2013/11/28	DO NOT SCALE DRAWING	SCALE 1:1	SHEET 1/1