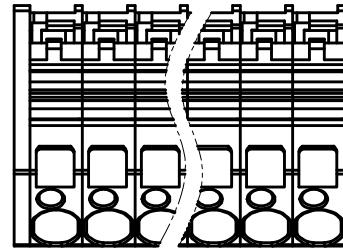
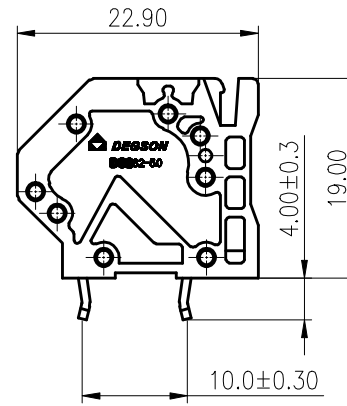
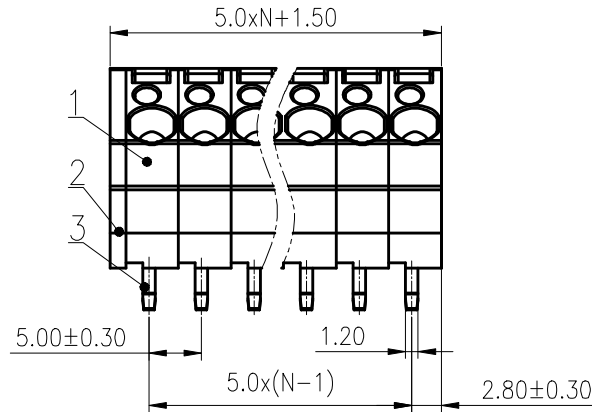
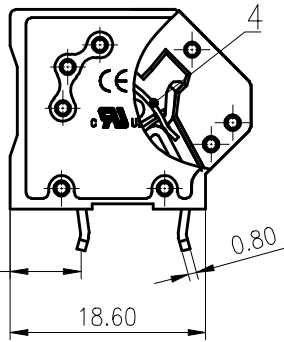


未注公差/General tolerances(mm)											0.1/10		
0	>3	>6	>10	>18	>30	>50	>80	>120	>180	>250		>315	>400
~3	~6	~10	~18	~30	~50	~80	~120	~180	~250	~315	~400	~500	~2.50
±0.12	±0.18	±0.22	±0.26	±0.31	±0.37	±0.57	±0.80	±0.93	±1.05	±1.15	±1.60	±2.20	±2.50

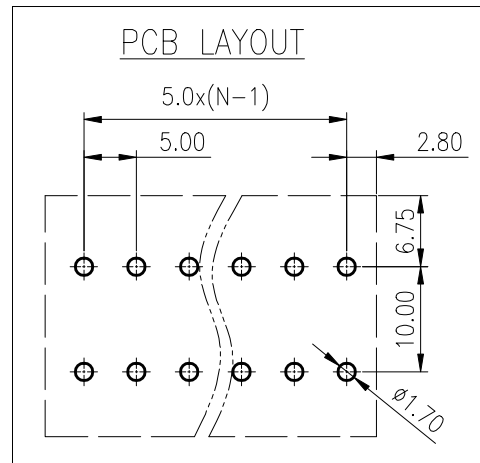
A



B



C



D

4	Spring	Stainless steel	/
3	Pin Header	Copper	Sn Plated
2	Cover	PA66	UL94V-0
1	Housing	PA66	UL94V-0

ITEM	NAME OF PART	MATERIAL	NOTES
UL 标准/UL Standard:		B	C
额定电压/电涌/Rated Voltage(V)/Current(A)		300/20	300/10
IEC 标准/IEC Standard:			
过压类别/Overvoltage Category/污染等级/Pollution Degree		III/3	III/2
额定电压/电涌/Rated Voltage(V)/Current(A)		320/32	320/32
额定脉冲电压(KV)/Rate Impulse Voltage(KV)		4	4
线径范围(硬线和软线)/Wire Range(rigid and flexible)(mm ² /AWG)		0.2~4/28~12	
间距/Pitch(mm)/线数范围/Poles		5.00/N=01~24P	
剥线长度/Stripping length(mm)		8~9	
使用温度范围/Operating temperature(°C)		-40~+105	
符合RoHS环保要求/Conform to RoHS		Yes	

MATERIAL: /	SURFACE: /		
MAT NO.: /	宁波高松电子有限公司 NINGBO DEGSON ELECTRICAL CO., LTD		
STATUS: /			
APPD: Li GL 2020.06.13	NAME: DG262-5.0-XXP-1Y-00A(H)		
CHKD: Ma EK 2020.06.13	DRAWING NO.: DG262-5.0-C01		REV T3
DRFT: WWF 2015.04.03	TYPE: CUSTOMER DRAWING		
④	SIZE: A4	SCALE: 1.5:1	SHEET 1/1

REV	ECN	DESCRIPTION	DRFT	DATE