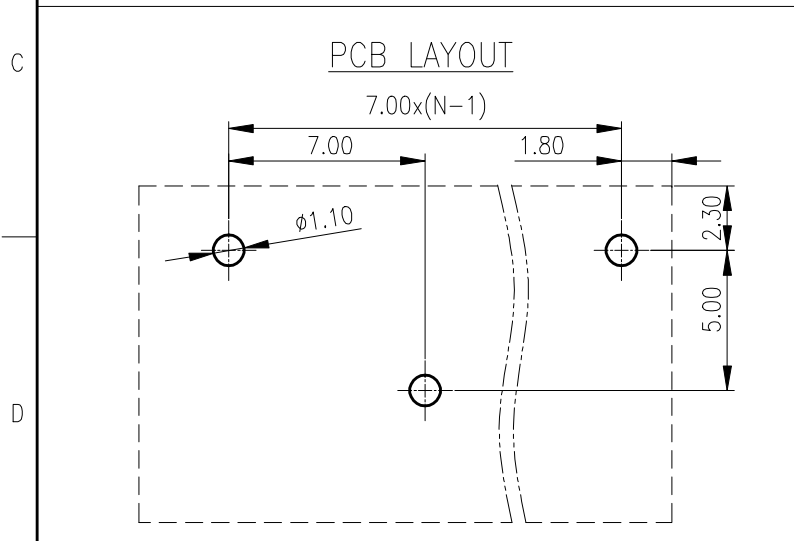
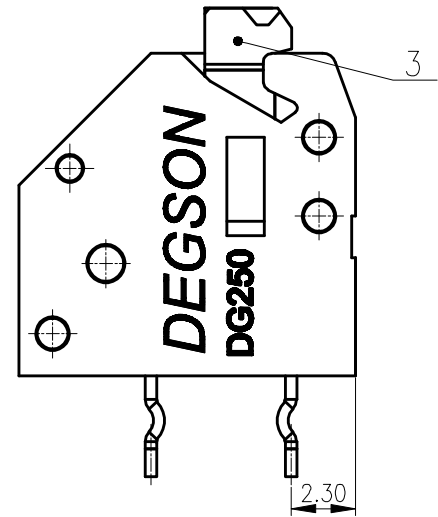
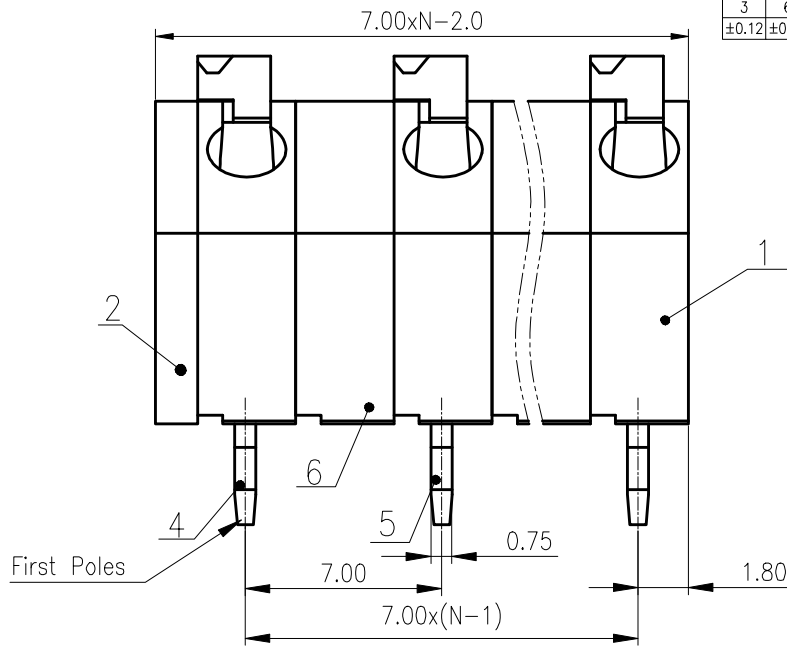
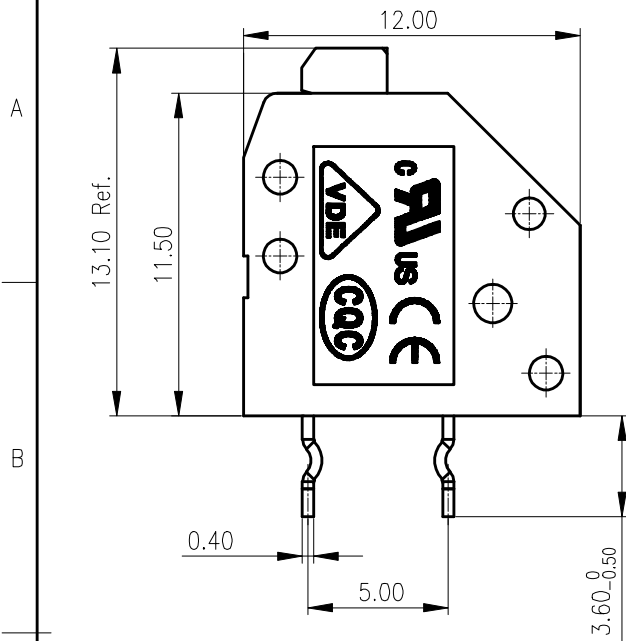


未注公差/General tolerances(mm)											D 0.1/10		
0	>3	>6	>10	>18	>30	>50	>80	>120	>180	>250		>315	>400
~3	~6	~10	~18	~30	~50	~80	~120	~180	~250	~315	~400	~500	~2.50
±0.12	±0.18	±0.22	±0.26	±0.31	±0.37	±0.57	±0.80	±0.93	±1.05	±1.15	±1.60	±2.20	±2.50



**DG250-7.0-XXP-1Y-00AH**  
**DG250-7.0 - series**  
**XXP - number of Poles (number of Pins)**  
**1 - single-row**  
**Y - color of housing (1 - gray color)**  
**00AH - no value**

6	Clapboard	PA66	UL94V-0
5	Small Pin header	Copper alloy	Sn plated
4	Big Pin header	Copper alloy	Sn plated
3	Button	PA66	UL94V-0
2	Cover	PA66	UL94V-0
1	Housing	PA66	UL94V-0

ITEM	NAME OF PART	MATERIAL	NOTES
UL 标准/UL Standard:			
额定电压/电涌/Rated Voltage(V)/Current(A)	B	C	D
	300/8	300/8	600/8
IEC 标准/IEC Standard:			
过压类别/Overvoltage Category/污染等级/Pollution Degree	III/3	III/2	II/2
额定电压/电涌/Rated Voltage(V)/Current(A)	500/10	630/10	1000/10
额定脉冲电压(KV)/Rate Impulse Voltage(KV)	6	6	6
线径范围(硬线和软线)/Wire Range(rigid and flexible)(mm <sup>2</sup> /AWG)	0.2~1.5/22~16		
间距/Pitch(mm)/线数范围/Poles	7.0/N=02~16P		
剥线长度/Stripping length(mm)	8.5~9.5		
使用温度范围/Operating temperature(°C)	-40~+105		
符合RoHS环保要求/Conform to RoHS	Yes		

MATERIAL: /	SURFACE: /		
MAT NO.: /	<b>宁波高松电子有限公司</b> <b>NINGBO DEGSON ELECTRICAL CO., LTD</b>		
STATUS: /			
APPD: LiGL 2020.05.23	NAME: <b>DG250-7.0-XXP-1Y-00A(H).</b>		
CHKD: Mek 2020.05.23	DRAWING NO.: DG250-7.0-C18		
DRFT: LuoXM 2020.05.23	REV	T1	
SIZE: A4	TYPE: CUSTOMER DRAWING	SCALE: 4:1	SHEET 1/1

REV	ECN	DESCRIPTION	DRFT	DATE