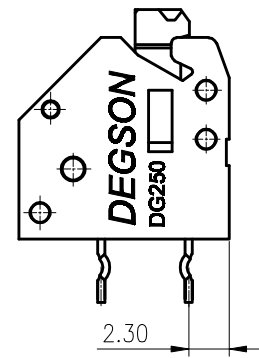
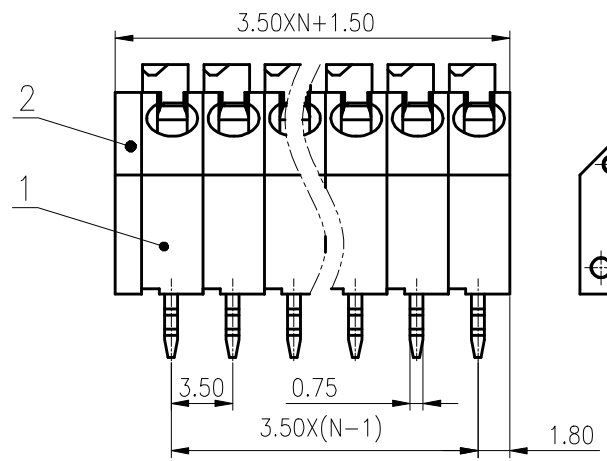
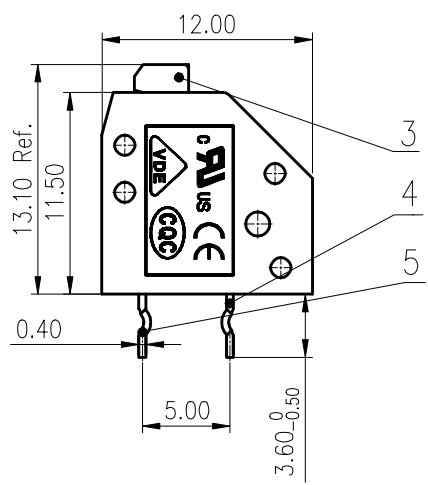
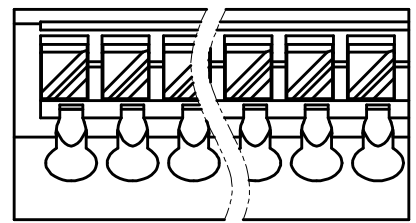


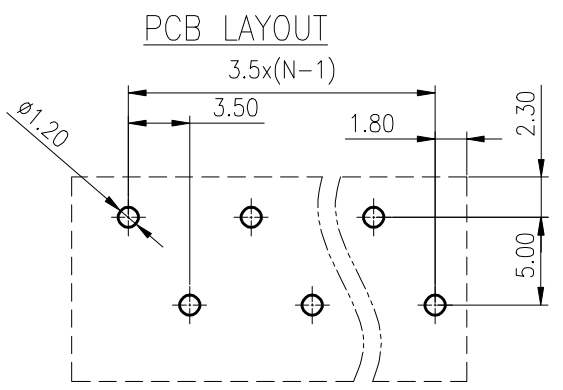
未注公差/General tolerances(mm)												0.1/10 ±2'	
0	>3	>6	>10	>18	>30	>50	>80	>120	>180	>250	>315		>400
~3	~6	~10	~18	~30	~50	~80	~120	~180	~250	~315	~400	~500	~2.50
±0.12	±0.18	±0.22	±0.26	±0.31	±0.37	±0.57	±0.80	±0.93	±1.05	±1.15	±1.60	±2.20	±2.50



5	Pin header 2	Copper alloy	Sn plated
4	Pin header 1	Copper alloy	Sn plated
3	Button	PA66	UL94V-0
2	Cover	PA66	UL94V-0
1	Housing	PA66	UL94V-0

ITEM	NAME OF PART	MATERIAL	NOTES
UL 标准/UL Standard:		B	C
额定电压/电涌/Rated Voltage(V)/Current(A)		300/8	150/8 300/8
IEC 标准/IEC Standard:			
过压类别/Overvoltage Category/污染等级/Pollution Degree		III/3	III/2 II/2
额定电压/电涌/Rated Voltage(V)/Current(A)		320/10	320/10 630/10
额定脉冲电压(KV)/Rate Impulse Voltage(KV)		4	4 4
线径范围(硬线和软线)/Wire Range(rigid and flexible)(mm ² /AWG)		0.2~1.5/22~16	
间距/Pitch(mm)/线数范围/Poles		3.5/N=02~24P	
剥线长度/Stripping length(mm)		8.5~9.5	
使用温度范围/Operating temperature(°C)		-40~+105	
符合RoHS环保要求/Conform to RoHS		Yes	

DG250-3.5-XXP-1Y-00AH
DG250-3.5 - series
XXP - number of Poles (number of Pins)
1 - single-row
Y - color of housing (1 - gray color, 5 - orange color)
00AH - no value



MATERIAL: /	SURFACE: /		
MAT NO.: /	宁波高松电子有限公司 NINGBO DEGSON ELECTRICAL CO., LTD		
STATUS: /			
APPD: LiGL 2020.05.19	NAME: DG250-3.5-XXP-1Y-00A(H). (自动化)		
CHKD: Mek 2020.05.19	DRAWING NO.: DG250-3.5-C134		
DRFT: LuoXM 2020.05.19	REV	TO	
SIZE: A4	TYPE: CUSTOMER DRAWING	SCALE: 2.5:1	SHEET 1/1

REV	ECN	DESCRIPTION	DRFT	DATE