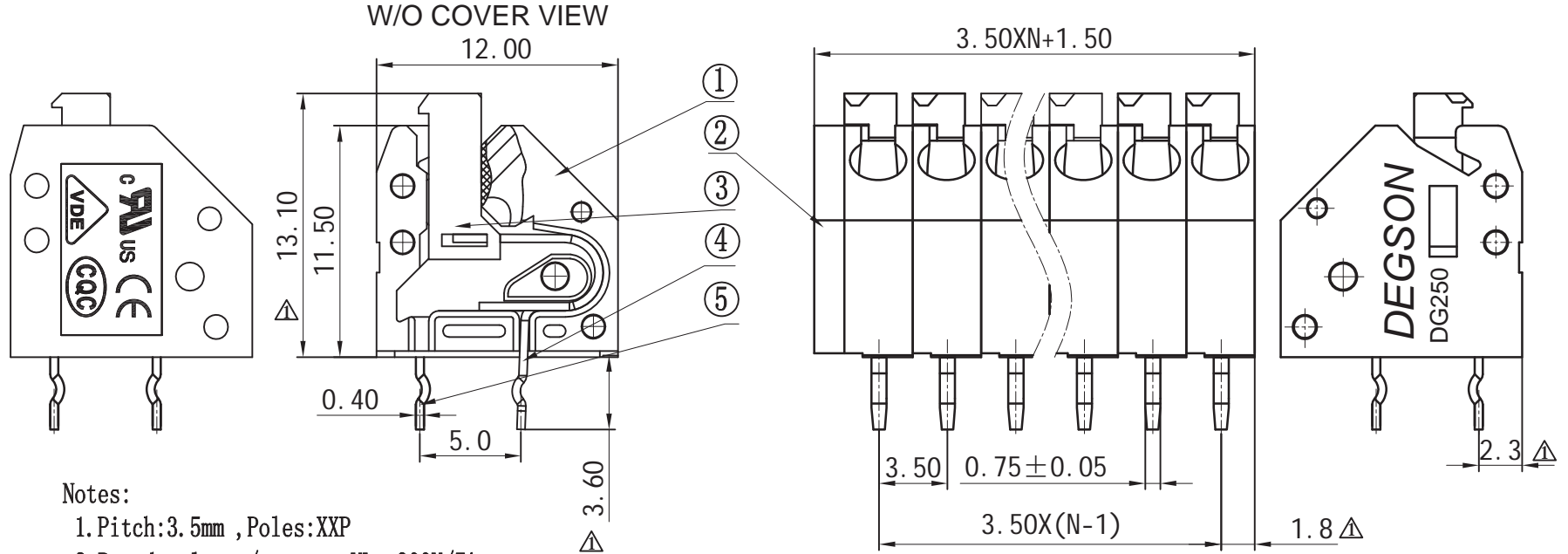


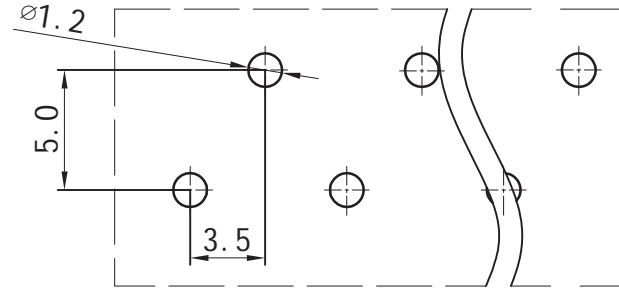
REVISION RECORD				
REV	ECN	DESCRIPTION	DRFT	DATE
1	12-150	应客户要求修改脚间距公差及VDE参数	CHEN	09/07/12



Notes:

1. Pitch: 3.5mm , Poles: XXP
2. Rated voltage/current: UL 300V/7A
 Δ VDE 450V/5A
3. Operation temperatures: -40°C ~ +105°C
4. Withstanding Voltage: AC2500/1Min
5. Insulation Resistance: 5000M Ω / DC1000V
6. Wire Range: 22~18AWG, 0.2mm² ~ 0.75mm²
7. Undimensioned Tolerances:

Pitch range in mm			Nominal dimension range in mm				
to	over	to	to	over	over	over	
6	10	24	30	60	100	150	□
±0.10	±0.15	±0.25	±0.2	±0.3	±0.5	±0.7	±1.0
							0.05/1.0



5	DG250-3.5 big Pin header (自动化)	3018B00090 (H)	(XX-1)/2/XX/2	Phosphor bronze	SnCe plated
4	DG250-3.5 small Pin header (自动化)	3018B00100 (H)	(XX+1)/2/XX/2	Phosphor bronze	SnCe plated
3	DG250-3.5 Button (自动化)	3018D0Y01D (H)	XX	PA66	UL94V-0
2	DG250-3.5 Cover	3018C0Y01A (H)	1	PA66	UL94V-0

1	DG250-3.5-Housing (自动化)	3018A0Y01C (H)	XX	PA66	UL94V-0
ITEM	NAME OF PART	NO. OF PART	Q'TY	MATERIAL	NOTES
TOLERANCES EXCEPT AS NOTED		DFTD ZYH DATE 12/24/08* CHKD DATE MFD DATE APPVL DATE MATERIAL:			
ANGLES ± 1°		G.E : FINISH:			
THIRD ANGLE PROJECTION		SCALE : 1:1			
DO NOT SCALE DRAWING				SHEET 1	OF 1

宁波高正电子有限公司
 DEGSON ELECTRONICS CO., LTD
 NAME DG250-3.5-XXP-1Y-01A(H)
 (自动化) 反装
 DRAWING NO. DG250-3.5-E133 SIZE A4
 /PART NO. REV T1 09/07/12