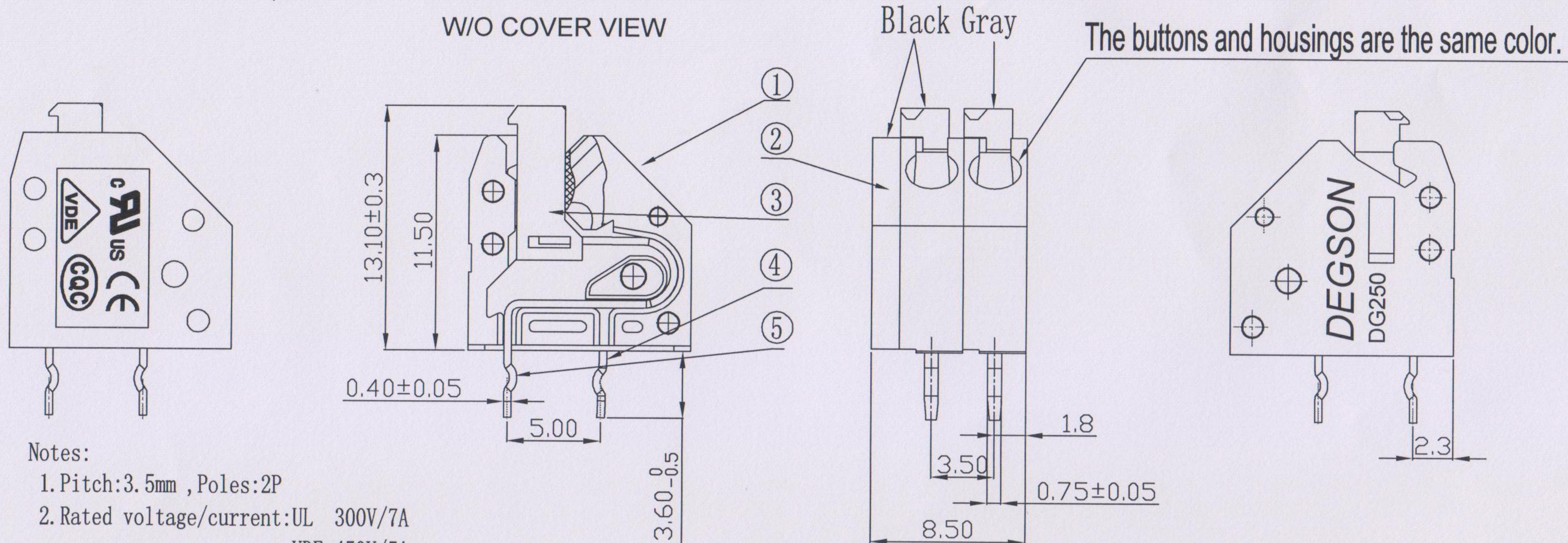


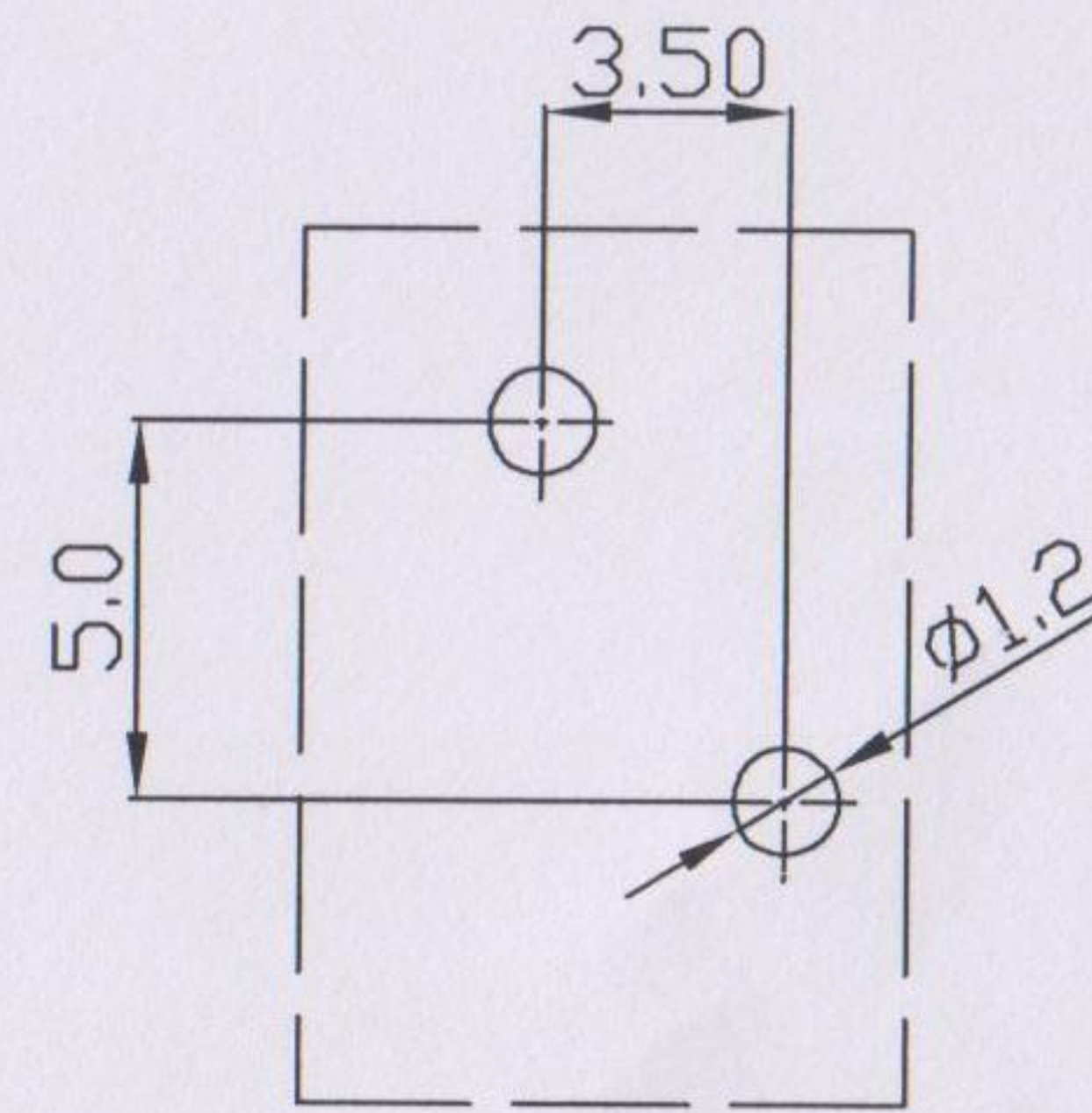
REVISION RECORD				
REV	ECN	DESCRIPTION	DRFT	DATE



Notes:

1. Pitch: 3.5mm, Poles: 2P
2. Rated voltage/current: UL 300V/7A
VDE 450V/5A
3. Operation temperatures: -40°C ~ +105°C
4. Withstanding Voltage: AC2500/1Min
5. Insulation Resistance: 5000MΩ / DC1000V
6. Wire Range: 22~18AWG, 0.5mm² ~ 0.75mm²
7. Undimensioned Tolerances:

Pitch range in mm			Nominal dimension range in mm				
to	over	over	to	over	over	over	
6	6 to 10	10 to 24	30	30 to 60	60 to 100	100 to 150	
±0.10	±0.15	±0.25	±0.2	±0.3	±0.5	±0.7	±1.0
							0.05/10



ITEM	NAME OF PART	NO. OF PART	Q"TY	MATERIAL	NOTES
5	DG250-3.5 big Pin header (自动化)	3018B00090 (H)	1	Phosphor bronze	SnCe plated
4	DG250-3.5 small Pin header (自动化)	3018B00100 (H)	1	Phosphor bronze	SnCe plated
3	DG250-3.5 Button (自动化)	3018D0101D (H)	1	PA66	UL94V-0
3	DG250-3.5 Button (自动化)	3018D0301D (H)	1	PA66	UL94V-0
2	DG250-3.5 Cover	3018C0301A (H)	1	PA66	UL94V-0
1	DG250-3.5-Housing (自动化)	3018A0101C (H)	1	PA66	UL94V-0

1	DG250-3.5-Housing (自动化)	3018A0301C (H)	1	PA66	UL94V-0												
ITEM NAME OF PART		NO. OF PART	Q"TY	MATERIAL	NOTES												
<table border="1"> <tr> <td>MM (INCH)</td> <td>DF TO Ellen</td> <td>DATE 07/10/13</td> </tr> <tr> <td>TOLERANCES EXCEPT AS NOTED</td> <td>CHKD</td> <td>DATE</td> </tr> <tr> <td></td> <td>MFD</td> <td>DATE</td> </tr> <tr> <td></td> <td>APPV L Alan</td> <td>DATE 07/10/13</td> </tr> </table>		MM (INCH)	DF TO Ellen	DATE 07/10/13	TOLERANCES EXCEPT AS NOTED	CHKD	DATE		MFD	DATE		APPV L Alan	DATE 07/10/13	宁波高正电子有限公司 DEGSON ELECTRONICS CO., LTD			
MM (INCH)	DF TO Ellen	DATE 07/10/13															
TOLERANCES EXCEPT AS NOTED	CHKD	DATE															
	MFD	DATE															
	APPV L Alan	DATE 07/10/13															
DETACHED LISTS		NAME		DG250-3.5-02P-1Y-375A(H) (自动化)													
<table border="1"> <tr> <td>MM</td> <td>±</td> </tr> <tr> <td>.0 ±</td> <td>±</td> </tr> <tr> <td>.00 ±</td> <td>±</td> </tr> <tr> <td>.000 ±</td> <td>±</td> </tr> </table>		MM	±	.0 ±	±	.00 ±	±	.000 ±	±	MATERIAL :		DRAWING NO. DG250-3.5-E405					
MM	±																
.0 ±	±																
.00 ±	±																
.000 ±	±																
ANGLES ± 1°		G.E :		/PART NO.													
		FINISH:		SIZE A4													
THIRD ANGLE PROJECTION		SCALE : 1:1		REV T0-1 07/10/13													
DO NOT SCALE DRAWING			SHEET 1 OF 1														