

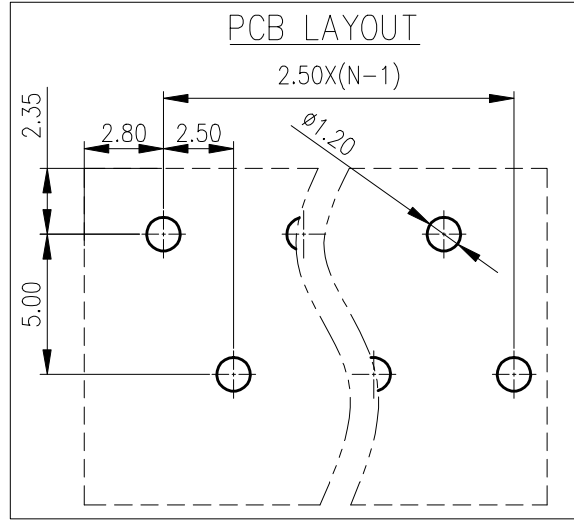
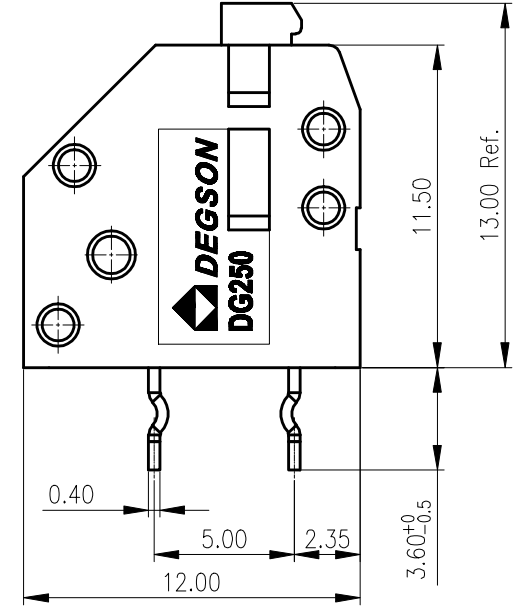
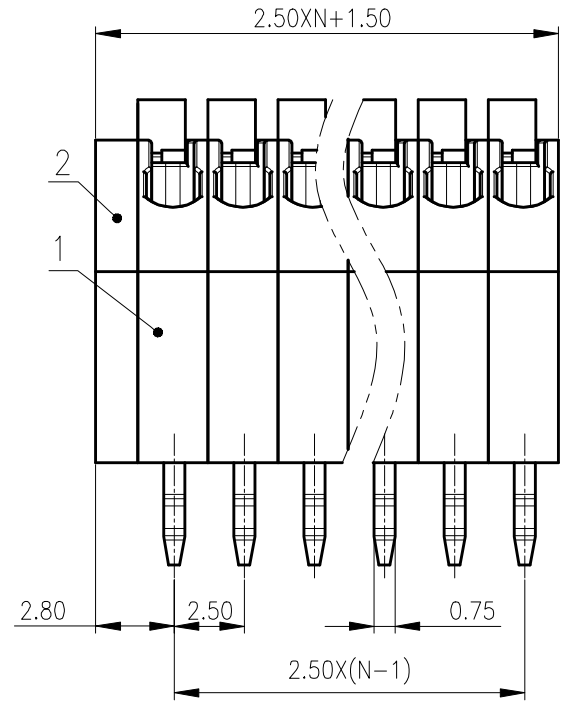
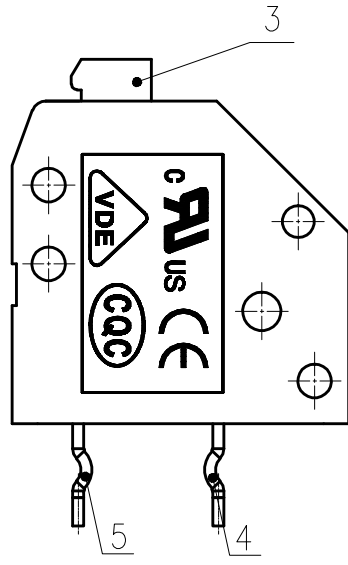
未注公差/General tolerances(mm)											D 0.1/10			
0	>3	>6	>10	>18	>30	>50	>80	>120	>180	>250				
~3	~6	~10	~18	~30	~50	~80	~120	~180	~250	~315	~400	~500	~500	±2'
±0.12	±0.18	±0.22	±0.26	±0.31	±0.37	±0.57	±0.80	±0.93	±1.05	±1.15	±1.60	±2.20	±2.50	

A

B

C

D



UL 标准/UL Standard:	B	C	D
额定电压/电流/Rated Voltage(V)/Current(A)	300/2	300/2	300/2
IEC 标准/IEC Standard:			
过压类别/Overvoltage Category/污染等级/Pollution Degree	/	III/2	/
额定电压/电流/Rated Voltage(V)/Current(A)	/	250/2	/
工频耐压/Withstanding voltage(V/1Min)	AC2000		
线径范围(硬线和软线)/Wire Range(rigid and flexible)(mm ² /AWG)	0.2~0.5/24~20		
间距/Pitch(mm)	2.5/N=01~24P		
剥线长度/Stripping length(mm)	8.5~9.5		
使用温度范围/Operating temperature(°C)	-40~+105		
符合RoHS环保要求/Conform to RoHS	Yes		
标准颜色编号/Standard color number: PANTONE / RAL	/		

5	Big Pin header	Copper Alloy	Sn plated
4	Small Pin header	Copper Alloy	Sn plated
3	Button	PA66	UL94V-0
2	Cover	PA66	UL94V-0
1	Housing	PA66	UL94V-0
ITEM	NAME OF PART	MATERIAL	NOTES

REV	ECN	DESCRIPTION	DRFT	DATE

MATERIAL: /	SURFACE: /		
MAT NO.: /	宁波高松电子有限公司 NINGBO DEGSON ELECTRICAL CO., LTD		
STATUS: /			
APPD: LiGL 2020.06.19	NAME: DG250-2.5-XXP-1Y-00A(H)		
CHKD: Mek 2020.06.19	DRAWING NO.: DG250-2.5-C01		
DRFT: YYC 2017.09.02	REV	T1	
SIZE: A4 TYPE: CUSTOMER DRAWING SCALE: 4:1 SHEET 1/1			