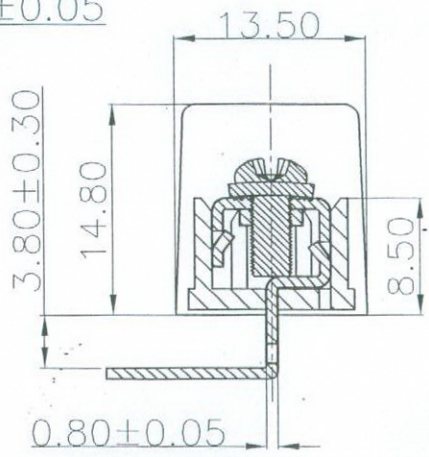


REVISION RECORD				
REV	ECO	DESCRIPTION	DRFT	DATE
△		出脚依实物及理论值由 5.00±0.10改为4.75±0.30	CSX	08/07/05
△		图面更新	C.SX	07/20/06
△		增加UL刻字	YeJ	11/06/08
△		品名、料号增加环保标识“(H)”	YeJ	12/08/07

NOTES:

1. Pitch: 7.62mm
2. Rated current: 15A
3. Rated voltage: 300V
4. Operation temperatures: -40° C ~ +105° C
5. Insulation Withstand Voltage: AC2000V/1Min
6. Insulation Resistance: 500MΩ/DC500V
7. Wire Range: 22~14AWG
8. Max. Torque: 5.10kgf.cm
9. Undimensioned Tolerances:

Pitch range in mm		Nominal dimension range in mm					
to	over	to	over	to	over	to	over
6	6 to 10	24	30 to 60	60 to 100	100 to 150	150	150
±0.10	±0.15	±0.25	±0.2	±0.3	±0.5	±0.7	±1.0



Section A-A

**DEGSON**  
DG25  
300V  
15A

22~14 AWG  
2.5mm<sup>2</sup>  
cULus  
CQC

ITEM	NAME OF PART	NO. OF PART	Q'TY	MATERIAL	NOTES
3	3*6 bright-Screw	S000000450 (H)-	XX	Steel	Ni Plated
2	DG25R-Pin Header	5001B00060 (H)	XX	Brass	SnCe
1	DG25R-B-Housing	5001A0YXXA (H)	1	PA66	UL94V-0

DFTD Zhuwm CHKD <i>Hang</i> MFO APPML <i>YeJ</i> DATE 03/03/04 DATE 12/14/07 DATE 12/17/07	宁波高正电子有限公司 DEGSON ELECTRONICS CO., LTD	NAME DG25R-B-XXP-1Y-00A(H)
TOLERANCES EXCEPT AS NOTED MM .0 ± .00 ± .000 ±	MATERIAL : G.E : FINISH : SCALE : 1:1	DRAWING NO. DG25R-E01 /PART NO. DO NOT SCALE DRAWING
ANGLES ± 1° THIRD ANGLE PROJECTION	SIZE A3 REV T4 12/08/07	SHEET 1 OF 1

8 | 7 | 6 | 5 | 4 | 3 | 2 | 1

\Degson-wenguan\010 文管中心查收图面\00A改为00A(H) 栅栏式\DG25R-00A(H).dwg, 2007-12-14 13:45:59, Administrator, \Degson-wenguan\HP LaserJet 1020